

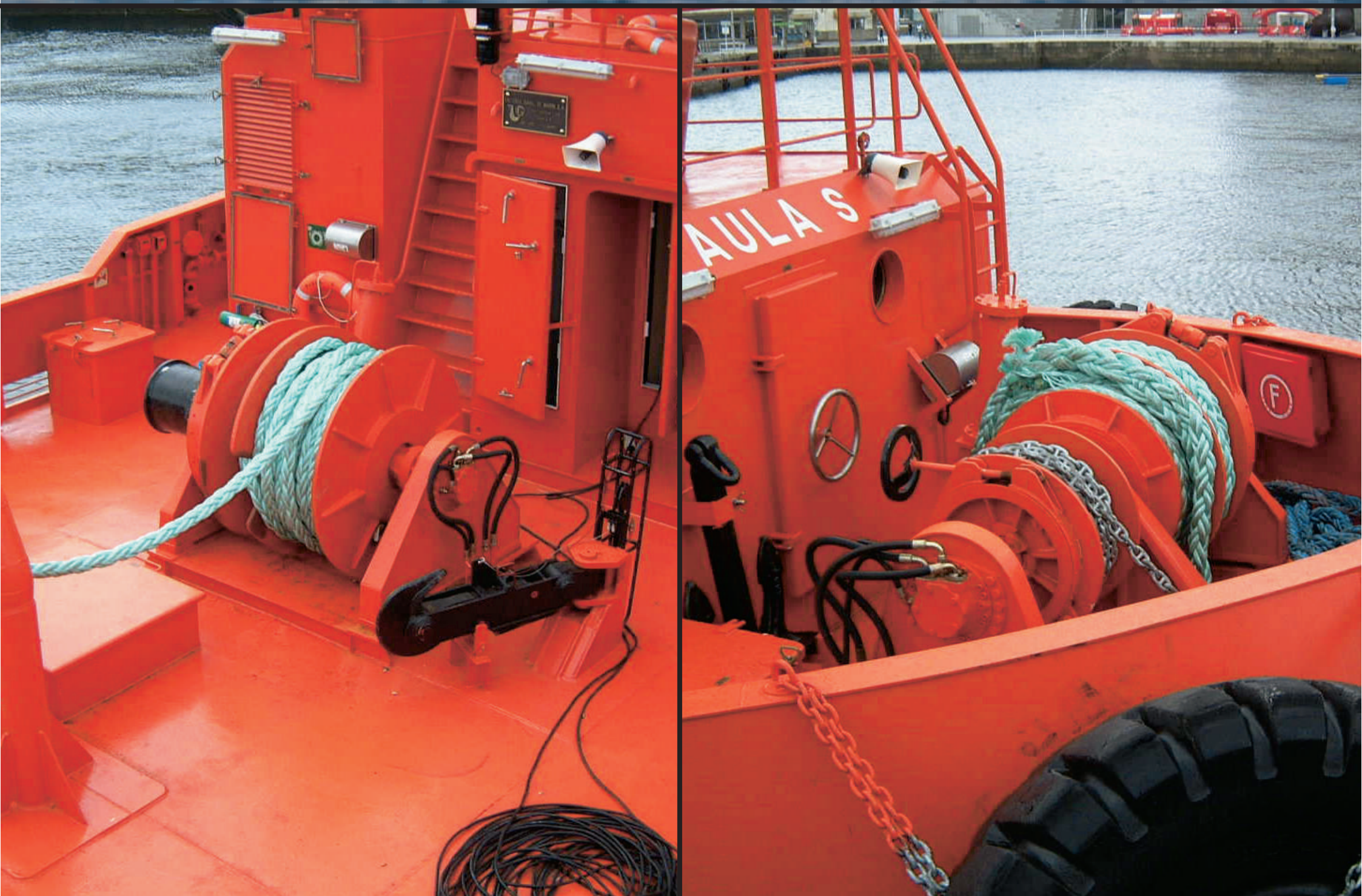
FLUIDMECANICA

Coruña, 37 | 36208 Vigo | Spain

Tlf. + 34 986 213329 | Fax. + 34 986 208262 | fluidmecanic@fluidmecanica.com

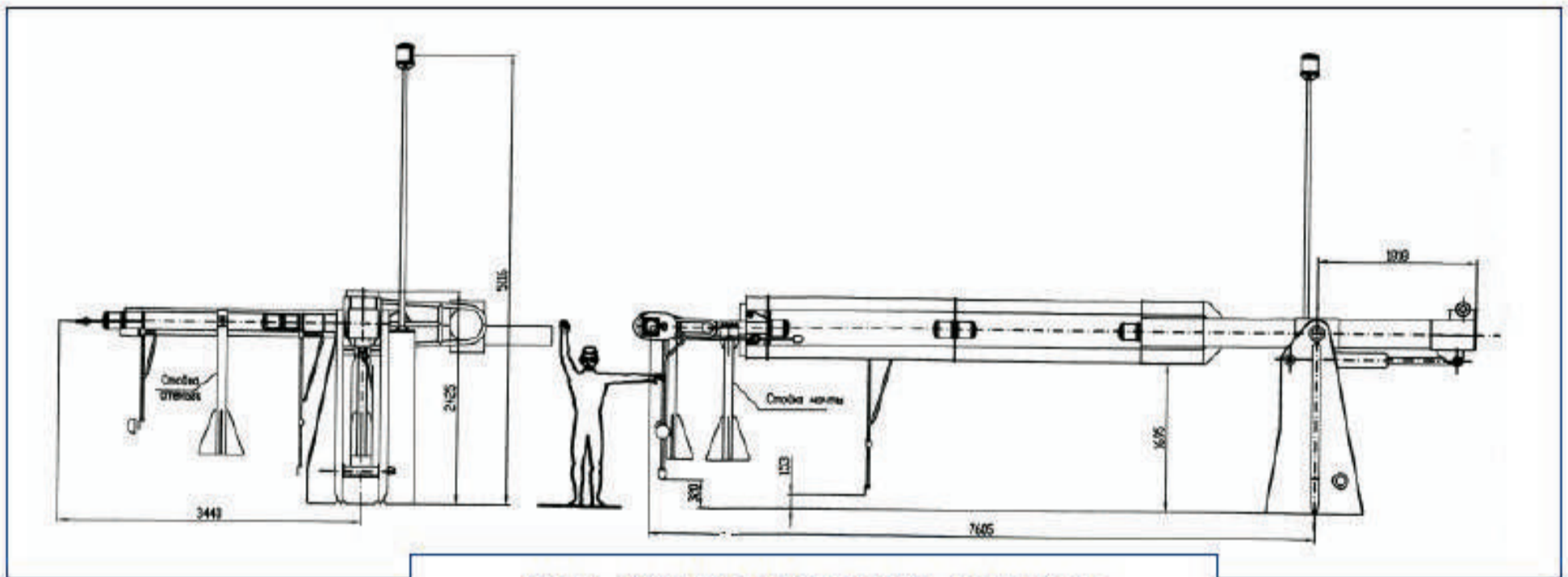


FLUIDMÉCANICA





FLUIDMECANICA

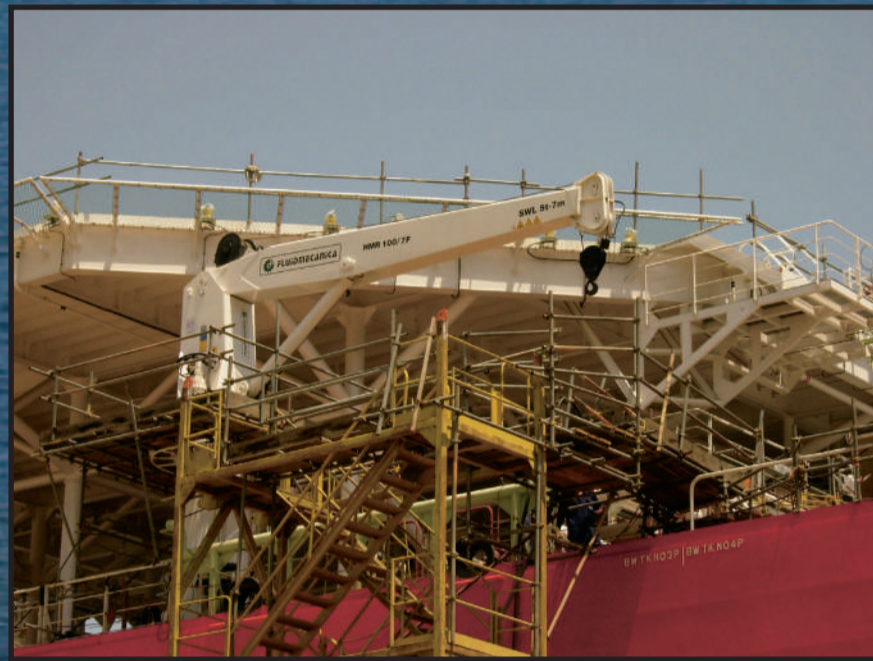


**Bow, aft and radar masts operation
Onego Shipyards (Russian Federation)**





CASPIAN PROJECT YURI KORCHAGIN FIELD



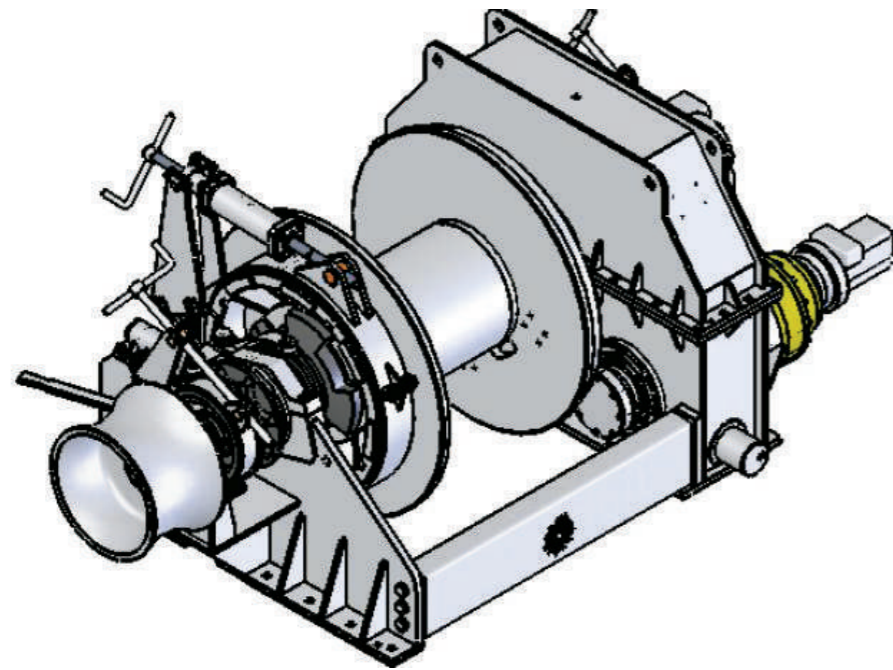
FLUIDMECANICA



FLUIDMECCANICA

Coruña, 37 | 36208 Vigo | Spain

Tlf. + 34 986 213329 | Fax. + 34 986 208262 | fluidmeccanica@fluidmeccanica.com

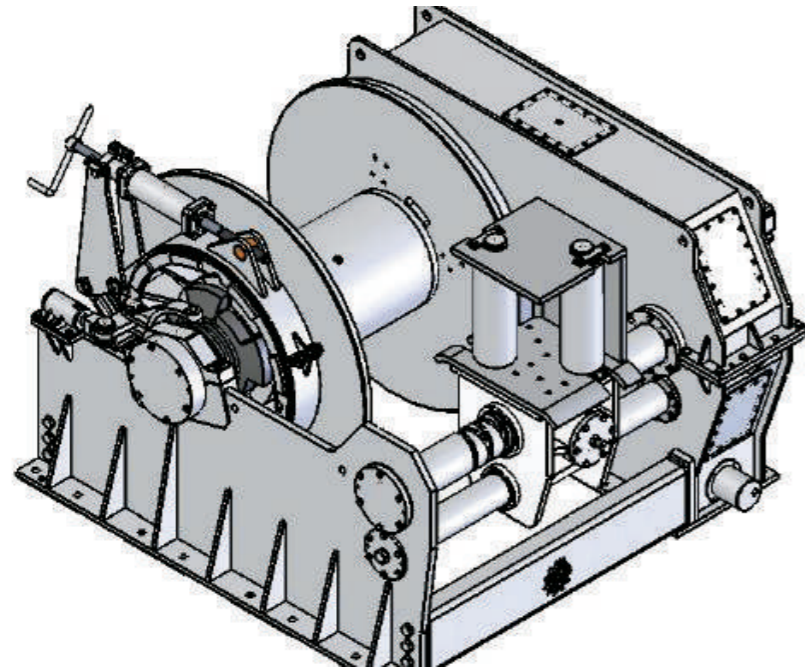


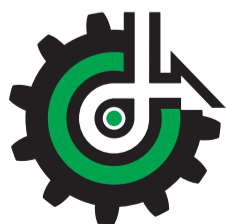
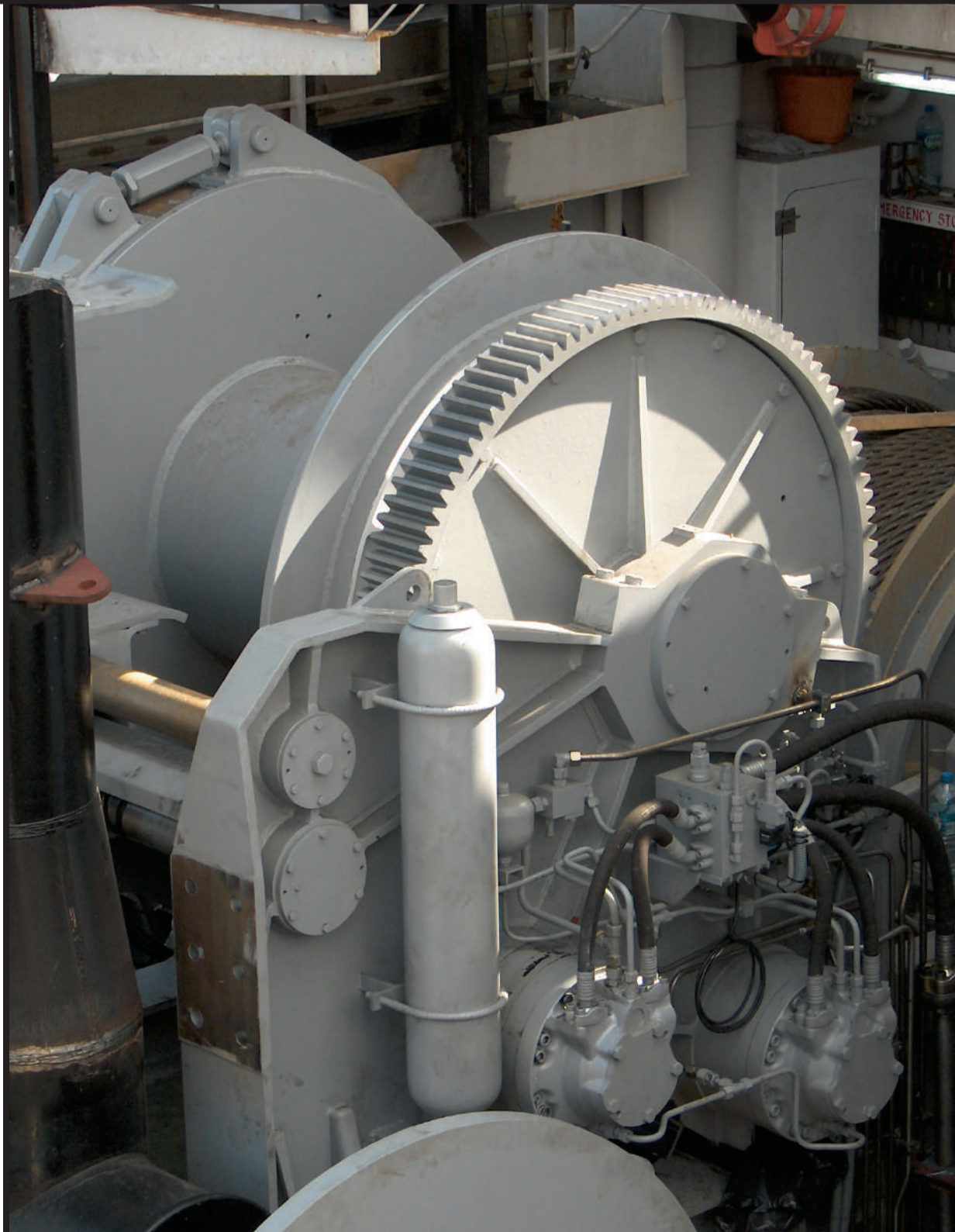
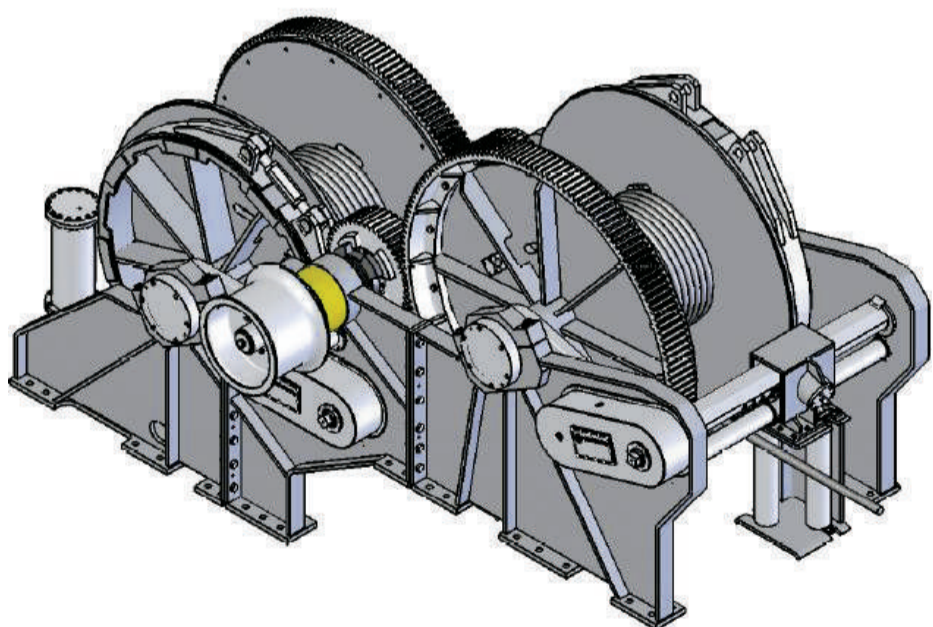


FLUIDMECCANICA

Coruña, 37 | 36208 Vigo | Spain

Tlf. + 34 986 213329 | Fax. + 34 986 208262 | fluidmeccanic@fluidmeccanica.com





FLUIDMECANICA

Coruña, 37 | 36208 Vigo | Spain

Tlf. + 34 986 213329 | Fax. + 34 986 208262 | fluidmecnica@fluidmecnica.com

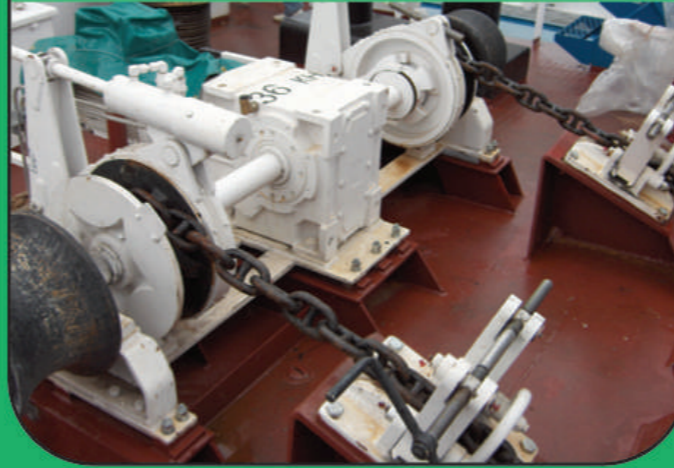
WATERFALL WINCHES



HARBOUR TUGS



ANCHOR WINDLASS



CONTROL



CRANES & DAVITS



TOWING HOOKS



MOORING WINCH



STEERING GEAR



MAST HYDRAULIC BEND



THRUSTERS



FLUIDMECANICA Coruña, 37 | 36208 Vigo | Spain
Tlf. + 34 986 213329 | Fax. + 34 986 208262 | fluidmeccanic@fluidmeccanica.com