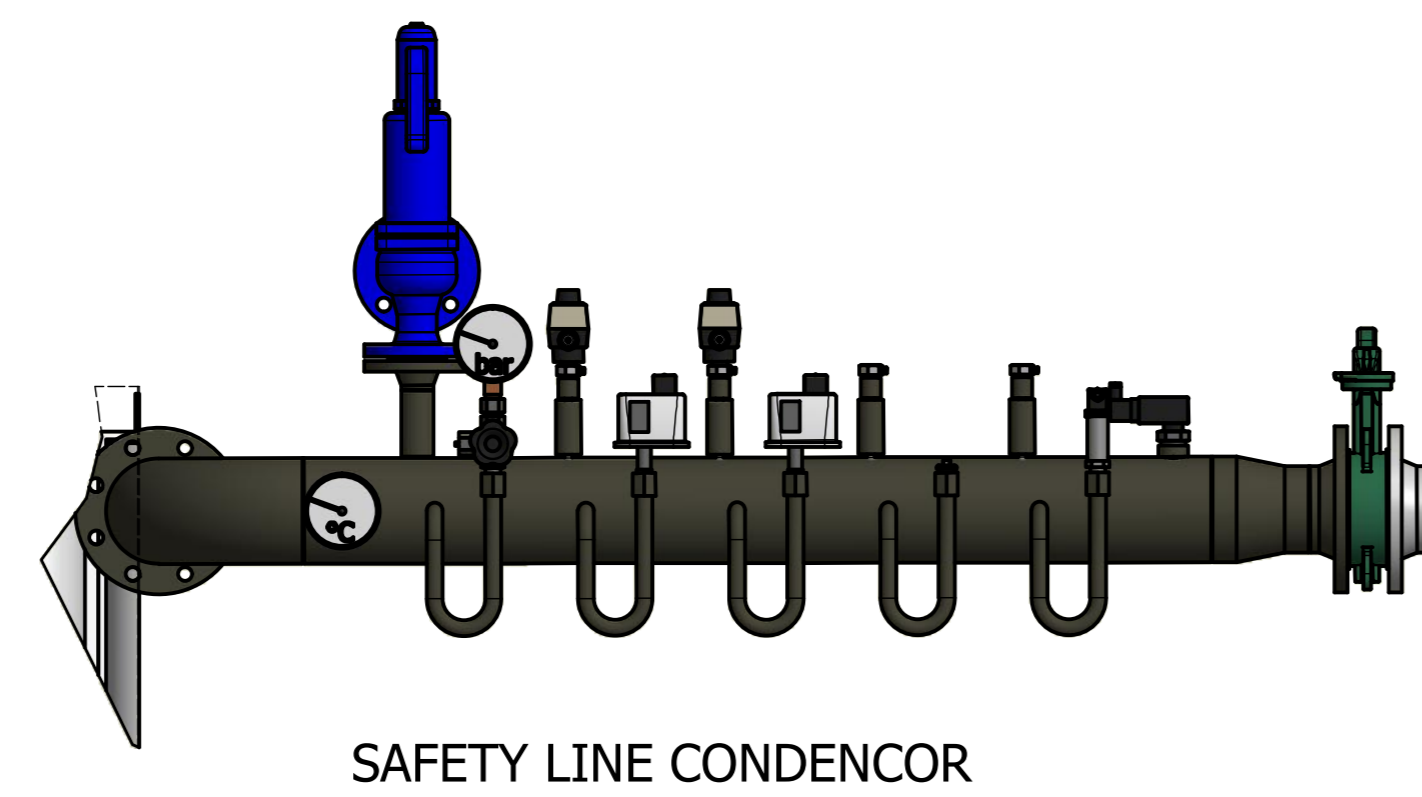


SAFETY LINE EGHE

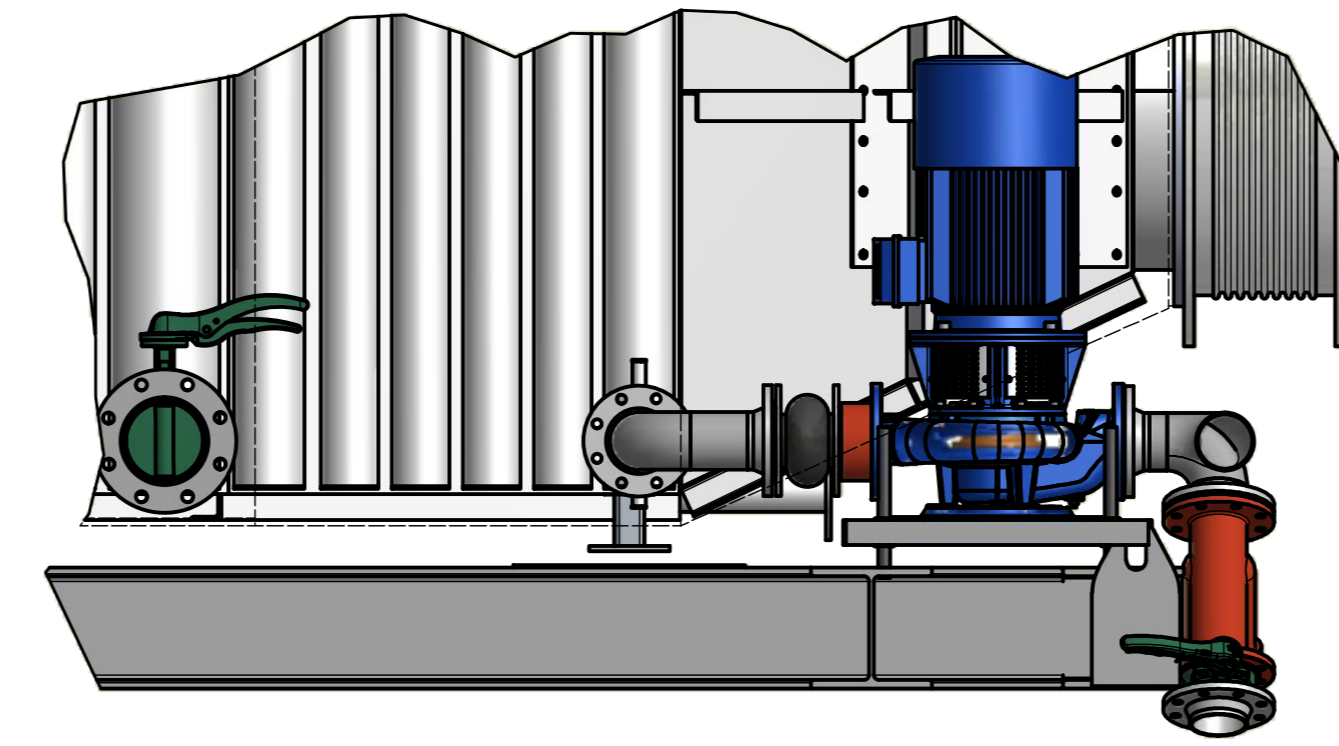
DETAIL F
(1 : 10)



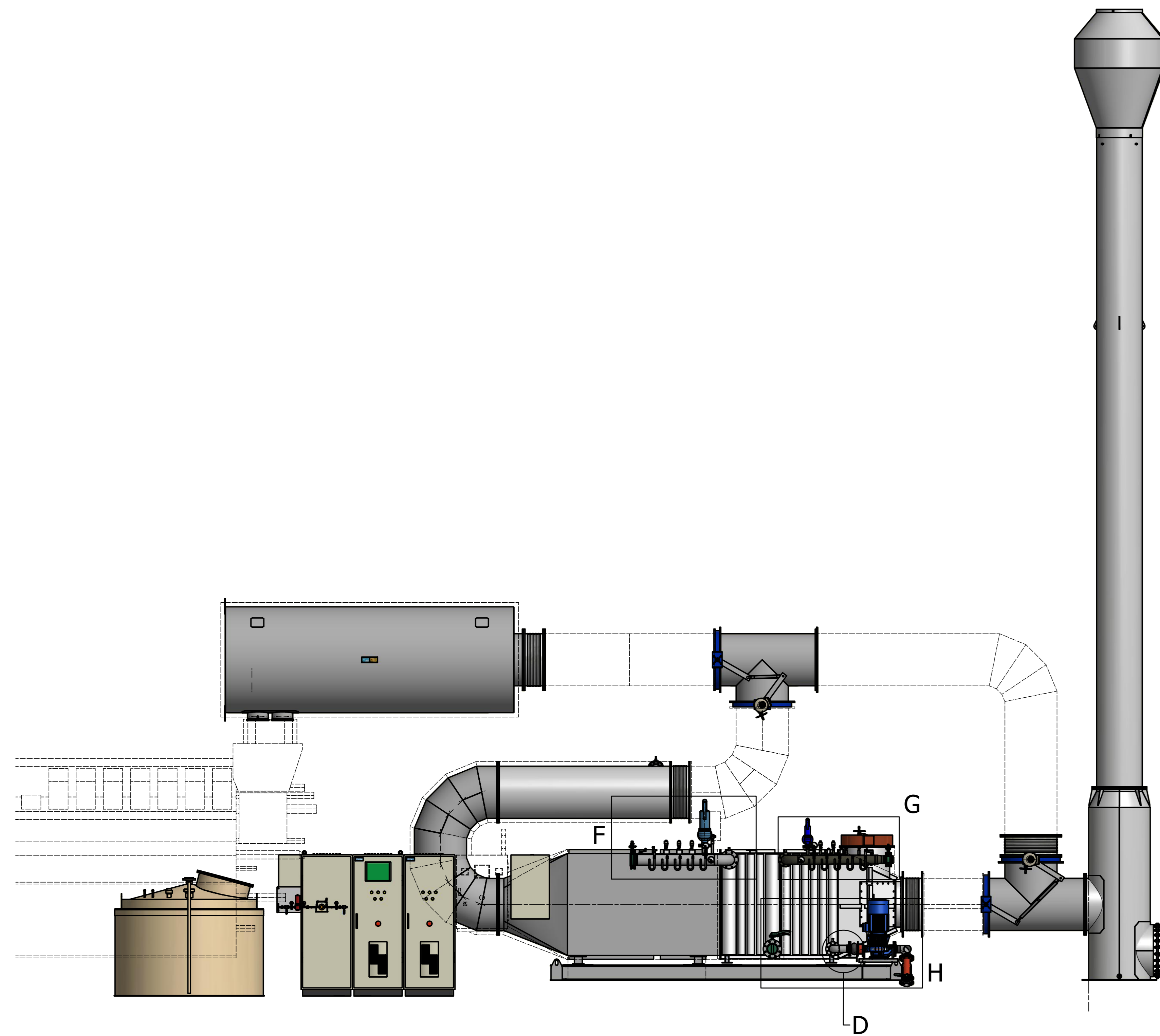
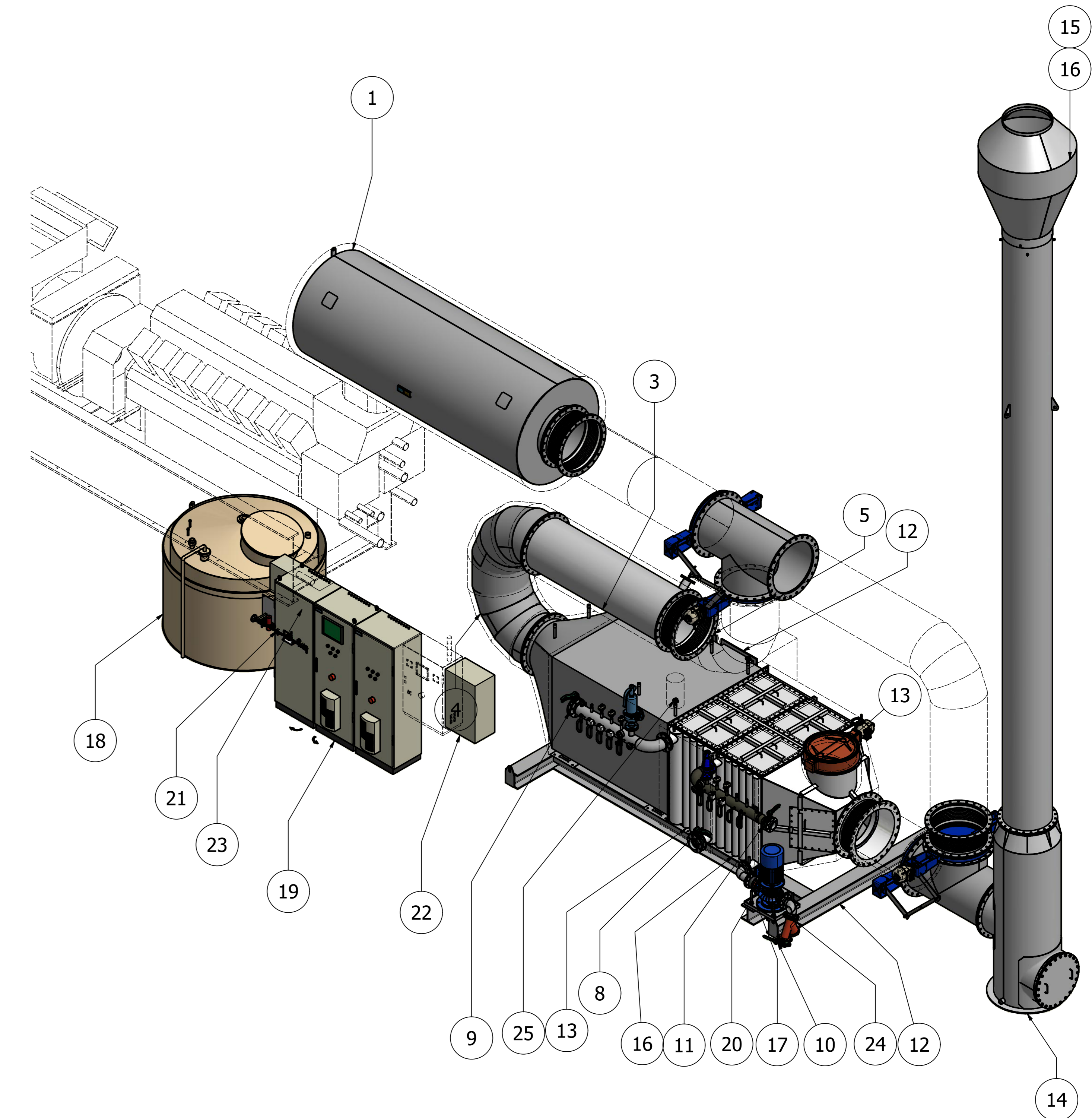
SAFETY LINE CONDENSOR

DETAIL G
(1 : 10)

NOTE:
DO NOT INSULATE THE MEASURING EQUIPEMENT,
SYPHON PIPES OR THE SAFETY VALVES.

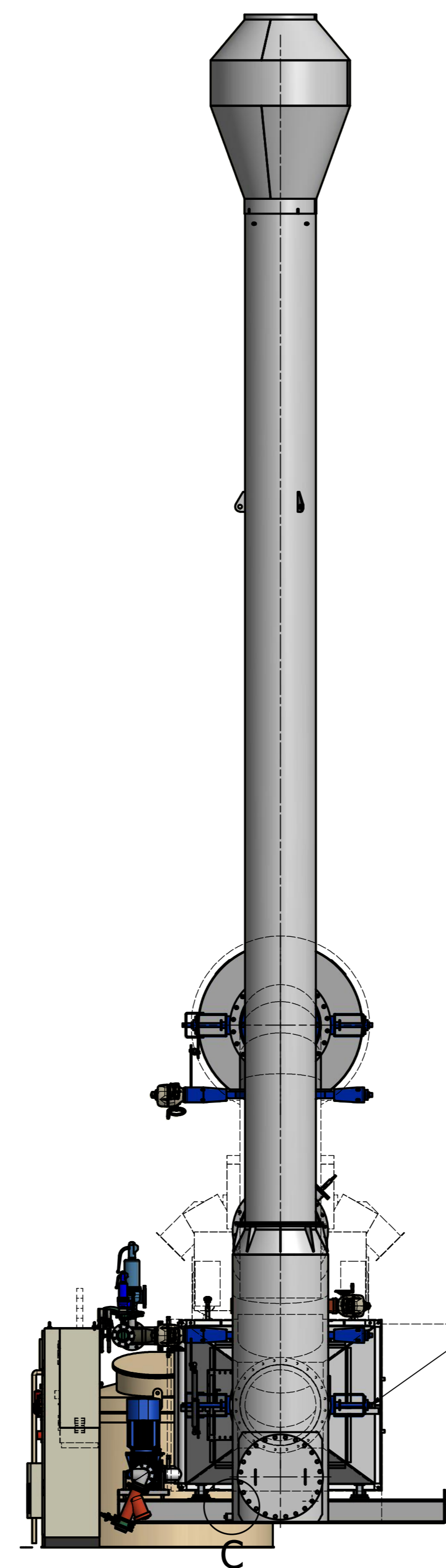


DETAIL H
(1 : 15)



DETAIL C
(1 : 10)

DETAIL D
(1 : 10)



1HSA10CT020
800 mm FREE SPACE FOR
RETRACTION OF NOZZLE FOR
SERVICE AND MAINTENANCE

MAINTENANCE SPACE FOR RETRACTION
OF SCR AND OXICAT FILTER BLOCKS

DETAIL J

NOTE:
- PIPING: NOT IN SCOPE OF
SUPPLY DISCOM,
- 800 mm FREE SPACE FOR RETRACTION OF ALL
TEMPERATURE SENSORS INDICATED WITH TC

POS.	QTY.	DESCRIPTION	COMPONENTS OR NORMALIZATION	MATERIAL	ART. NO.	REMARKS
29	3	Compensator		NB800	NB800	
28	2	T-Piece piping		NB800		
27	1	Del. Fly Single Compensator, DIN 2576, PN 10		NB800, Lg=320	ALSI 321 NB800	
25	2	PT100 sensor			Generic	
24	1	Strainer				
23	1	Pump station				
22	1	Gas analysis unit				
21	1	Dosing unit				
20	1	No Return Valve NB100	Flowserve: Gestra RK76			
19	2	PLC				
18	1	Ureumtank				
17	1	Pump				
16	1	Deflector cap				
15	1	Outlet pipe cold chimney				
14	1	Cold chimney				
13	1	CO2 Flap				
12	1	Frame				
11	1	Safety Line NB100		NB100		
10	2	Watertype Butterfly valve		NB100		
9	1	Safety line NB150		NB150		
8	2	Watertype Butterfly valve		NB150		
7	1	EGHE				
6	1	Oxicat				
5	1	SCR				
4	1	Segmented elbow		NB800		
3	1	Urea mixing pipe		NB800		
2	4	Butterfly valve		NB800		
1	1	Primary silencer	L45-NB800 sp1			

WELDING QUALITY ACC. 5817 CLASS C	
GENERAL TOLERANCES ACC. EN-ISO 13920 B-D-H	
() - DIMENSION CHECK	
TOLERANCES FOR LINEAR DIMENSIONS WITHOUT TOLERANCE INDICATION:	
DIMENSIONS U/I	LENGTH
400 mm	± 2 mm
1000 mm	± 3 mm
2000 mm	± 4 mm
4000 mm	± 6 mm
>4001 mm	± 8 mm
ANGLE	STRAIGHTNESS FLATNESS PARALLELISM
± 1°30'	5 mm
± 1°15'	9 mm
± 1°	14 mm
± 1°	18 mm
± 1°	26 mm

DATE	06-02-2015	DESCRIPTION	FOR REVIEW	DRAWN	RZ	CHECK	APPR.	CA	CL. A
discom		Greenhouse+ system		PROJECT NO.		1006133		SCALE: 1 : 40	
DRAWING NO.		K1006133-001-rev-a		SHEET NO.		1 of 1		FORMAT: A0	