



SOLAR PUMPS

DC

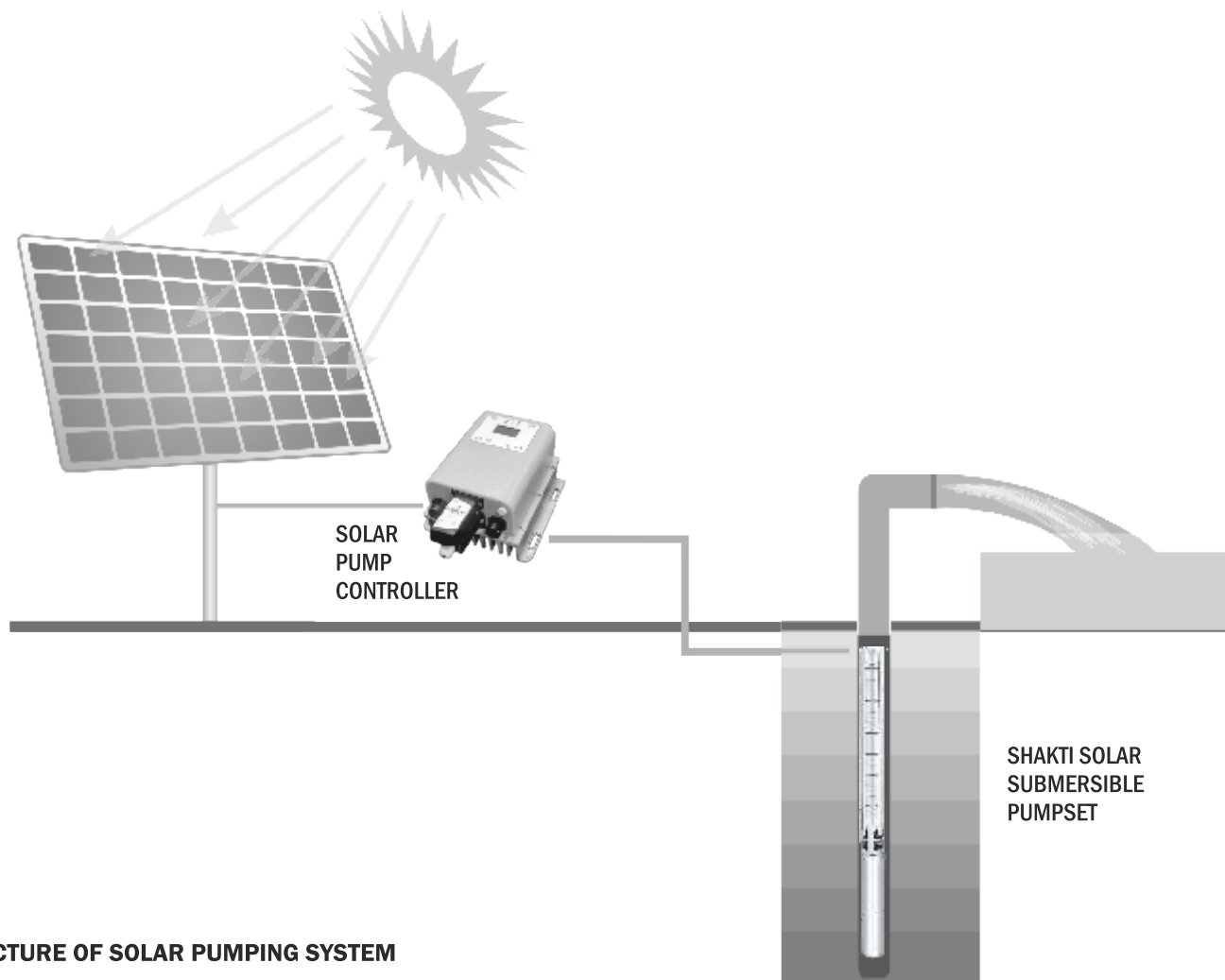


SOLAR PUMPING SYSTEM

CONTENT	PAGE NO.	CONTENT	PAGE NO.
INTRODUCTION	01	SOLAR 139 DCSSP 13500	57
STRUCTURE OF SOLAR PUMPING SYSTEM	01	SOLAR 86 DCSSP 13500	58
APPLICATION	02	SOLAR 54 DCSSP 13500	59
FEATURE	02	SOLAR 43 DCSSP 13500	60
IDENTIFICATION	03	SOLAR 30.5 DCSSP 13500	61
SOLAR PUMP CONTROLLER SPECIFICATION	04	SOLAR 19 DCSSP 13500	62
CHANGE OVER SWITCH	05	SOLAR 14 DCSSP 13500	63
SHAKTI DU DT FILTER	05	SOLAR 11 DCSSP 13500	64
SOLAR POWER SELECTION & CONFIGURATION	06	SOLAR 240 DCSSP 18000	65
SOLAR 16.5 DCSSP 900	07	SOLAR 148 DCSSP 18000	66
SOLAR 3.0 DCSSP 900	08	SOLAR 129 DCSSP 18000	67
SOLAR 2.0 DCSSP 900	09	SOLAR 81 DCSSP 18000	68
solar dc 20.5 dcssp 1200	10	SOLAR 53 DCSSP 18000	69
SOLAR 10 DCSSP 1200	11	SOLAR 43 DCSSP 18000	70
SOLAR 8 DCSSP 1200	12	SOLAR 36 DCSSP 18000	71
SOLAR 3 DCSSP 1200	13	SOLAR 20 DCSSP 18000	72
SOLAR 34 DCSSP 1800	14	SOLAR 16 DCSSP 18000	73
SOLAR 12 DCSSP 1800	15	SOLAR 13 DCSSP 18000	74
SOLAR 10.5 DCSSP 1800	16	SOLAR 156 DCSSP 22500	75
SOLAR 6 DCSSP 1800	17	SOLAR 140 DCSSP 22500	76
SOLAR 2 DCSSP 1800	18	SOLAR 93 DCSSP 22500	77
SOLAR 1.5 DCSSP 1800	19	SOLAR 72 DCSSP 22500	78
SOLAR 48 DCSSP 3000	20	SOLAR 48 DCSSP 22500	79
SOLAR 31 DCSSP 3000	21	SOLAR 44 DCSSP 22500	80
SOLAR 21 DCSSP 3000	22	SOLAR 26 DCSSP 22500	81
SOLAR 10.5 DCSSP 3000	23	SOLAR 23 DCSSP 22500	82
SOLAR 8.5 DCSSP 3000	24	SOLAR 19 DCSSP 22500	83
SOLAR 6 DCSSP 3000	25	SOLAR 16 DCSSP 22500	84
SOLAR 2 DCSSP 3000	26	SOLAR 121 DCSSP 27000	85
SOLAR 3 DCSSP 3000	27	SOLAR 84 DCSSP 27000	86
SOLAR 73.5 DCSSP 4800	28	SOLAR 64.5 DCSSP 27000	87
SOLAR 45 DCSSP 4800	29	SOLAR 60 DCSSP 27000	88
SOLAR 35.5 DCSSP 4800	30	SOLAR 43 DCSSP 27000	89
SOLAR 19 DCSSP 4800	31	SOLAR 26 DCSSP 27000	90
SOLAR 15 DCSSP 4800	32	SOLAR 23 DCSSP 27000	91
SOLAR 9.5 DCSSP 4800	33	SOLAR 20 DCSSP 27000	92
SOLAR 6 DCSSP 4800	34	SOLAR 139 DCSSP 36000	93
SOLAR 5 DCSSP 4800	35	SOLAR 119 DCSSP 36000	94
SOLAR 4.5 DCSSP 4800	36	SOLAR 84 DCSSP 36000	95
SOLAR 3 DCSSP 4800	37	SOLAR 69 DCSSP 36000	96
SOLAR 120 DCSSP 6750	38	SOLAR 57 DCSSP 36000	97
SOLAR 66 DCSSP 6750	39	SOLAR 44 DCSSP 36000	98
SOLAR 42.5 DCSSP 6750	40	SOLAR 27 DCSSP 36000	99
SOLAR 26 DCSSP 6750	41	SOLAR 25 DCSSP 36000	100
SOLAR 20 DCSSP 6750	42	SOLAR 150 DCSSP 45000	101
SOLAR 15 DCSSP 6750	43	SOLAR 135 DCSSP 45000	102
SOLAR 11 DCSSP 6750	44	SOLAR 110 DCSSP 45000	103
SOLAR 10 DCSSP 6750	45	SOLAR 87 DCSSP 45000	104
SOLAR 122 DCSSP 9000	46	SOLAR 70 DCSSP 45000	105
SOLAR 96 DCSSP 9000	47	SOLAR 53 DCSSP 45000	106
SOLAR 52.5 DCSSP 9000	48	SOLAR 42 DCSSP 45000	107
SOLAR 40 DCSSP 9000	49	SOLAR 148 DCSSP 54000	108
SOLAR 23 DCSSP 9000	50	SOLAR 126 DCSSP 54000	109
SOLAR 19 DCSSP 9000	51	SOLAR 113 DCSSP 54000	110
SOLAR 16 DCSSP 9000	52	SOLAR 64 DCSSP 54000	111
SOLAR 12 DCSSP 9000	53	SOLAR 53 DCSSP 54000	112
SOLAR 9 DCSSP 9000	54	SOLAR 42 DCSSP 54000	113
SOLAR 23 DCSSP 11250	55	Solar DC submersible GA drawing	114-115
SOLAR 12 DCSSP 11250	56	Solar DC controller drawing	116-117

INTRODUCTION

Nowdays Solar pumping system is becoming more and more popular, it is being applied to daily use (underground water), agriculture irrigation, forestry irrigation, desert control, pasture animal husbandry, water supply for islands, wastewater treatment engineering, and so on. In recent years, with the promotion of the utilization of non conventional energy resources, solar pumping systems are being used more and more in municipal engineering, city center squares, parks, tourist sites, resorts and hotels, the landscapes and fountain systems in the residential areas. This system is composed of a solar array, a pump and a pump controller. Based on the design philosophy that it is better to store water than electricity, there is no energy storing device such as battery in the system.



STRUCTURE OF SOLAR PUMPING SYSTEM

The solar array, an aggregation of many solar modules connected in series and/ or parallel. This array absorbs radiation from sunlight and converts it into electrical energy thus help in providing dynamical water as a whole system. The pump controller controls and adjusts the system operation, according to the variation of intensity of sunlight to realize the maximum power point tracking (MPPT). The pump is able to draw water from the deep wells or rivers and lakes to pour into the storage tank or reservoir, or directly connect to the irrigation system, fountain system, etc. According to the actual system demand and installation conditions, different types of pump such as centrifugal pump, axial flow pump, mixed-flow pump or deep-well pump may be used.

SOLAR PUMPING SYSTEM

APPLICATIONS

- Ground water lowering
- Irrigation systems
- Industrial Application
- Drip irrigation & sprinkler
- Tank / Cistern filling
- Wildlife refuge
- Rural water supply for ranches, cabins, and cottages
- Fountains

FEATURES

- High flow system for faster tank filling and significant water output.
- Proven motor and pump technology for long-term reliability
- Pumpset can start at low radiations.
- Clean and pollution free energy, Eco-friendly.
- Ideal for remote areas, where electricity is not available or availability is capital intensive.
- Suitable for day time irrigation, Continuous supply for 6-8 hours in a day.
- MPPT – Max Power Point Tracking for maximizing efficiency of input power
- Soft start feature prevents water hammer and increases system life & easy to operate.
- Simple installation and maintenance free.
- MNRE approved.

ALL-IN-ONE PACKAGE

The Solar controller is used as a solution for specific pumping requirements of the solar pumping system. Using Shakti components, our technical expertise in groundwater pumping, and innovative thinking based on global market inputs, we have developed a rugged, high-output system which tackles the challenges of remote and harsh environments. No other system delivers the features, benefits, and reliability of solar controller in just one package!

THE SOLAR WATER PUMPING SYSTEM INCLUDES

- Shakti High Efficient Submersible motor
- Shakti Submersible pump
- Solar Panel and its mounting structure
- Solar controller
- Cable
- Pipes
- Variety of flow rates available in: 32 to 4000 LPM.
- Motor and controller ratings available in: 900 to 54000 Watt

IDENTIFICATION

DCSSP SERIES

Type designation



Disc. (M³/ hr.)

Solar DC Submersible Pumpset

Input Power (Watts)

* Note: Input Power at Motor

The Solar high efficient pump-set comprises centrifugal pump technologies

The high Efficient Motor is designed according to the permanent magnet principle with separate electronics unit. The Motor speed range is 1000-3600 RPM depending on pump load.. The permanent magnet motor featuring a consistent higher efficiency within power range compared to a conventional asynchronous motor.

SOLAR PUMP CONTROLLER SPECIFICATION

OVERVIEW

The controller starts the pumps slowly and adjust it speed according to pumping load and power available from solar array.

Power output from the solar array is optimally matched to the load by maximum power point tracker(MPPT) throughout all conditions.

The Shakti Solar controller is designed with the high standard of reliability expected of Shakti products. The controller attempts to controller the pump and motor to deliver water even under adverse conditions, reducing output as necessary to protect the system components from damage, and only shutting down in extreme cases.

CONTROLLER CODE	DESCRIPTION	INPUT POWER	VFD Voltage Range (Vdc)		VFD Maximum Current (Amp.)
			Min (V)	Max (V)	
9600000096	SIMHA UNIVERSAL DRIVE 3Ø 12 A	1 HP - 2 HP	30	425	12
9600000088	SIMHA UNIVERSAL DRIVE 3Ø 14A	3 HP - 5 HP	200	720	12
9600000094	SIMHA UNIVERSAL DRIVE 3Ø 20A	7.5 HP - 10 HP	200	720	20
9600000073	NANDI UNIVERSAL DRIVE 3Ø 25A	12.5 HP - 15 HP	200	850	30
9600000066	NANDI UNIVERSAL DRIVE 3Ø 38A	20 HP - 25 HP	200	850	38
9600000067	NANDI UNIVERSAL DRIVE 3Ø 50A	30 HP	200	850	50
9600000068	NANDI UNIVERSAL DRIVE 3Ø 70A	40 HP	200	720	60
9600000106	NANDI UNIVERSAL DRIVE 3Ø 120A	50 HP - 60 HP	200	720	120

DESCRIPTIONS AND FEATURES

The Shakti Solar controller controller continuously monitors system performance and incorporates a number of features for pump system protection. In the event of a fault, the Shakti Solar drives will indicate the type of fault through the displays.

The Shakti Solar drives system is optimized for pumping under adverse input power conditions unique to solar arrays.

- Internal diagnostics will tolerate a lower input voltage.
- Whenever possible, the controller attempts to regulate the pump load in a manner that optimizes for maximum power transfer from the solar array.

An easy to use interface is provided to enhance configurability and enable remote system monitoring.

- A three-digit seven-segment display provides a detailed indication of system status.
- A small keypad offers flexibility for selection of user options.
- A continuous data connection for remote telemetry is made available via an RS-485 port. (Optional)
- Controller can be Operated by mobile application.

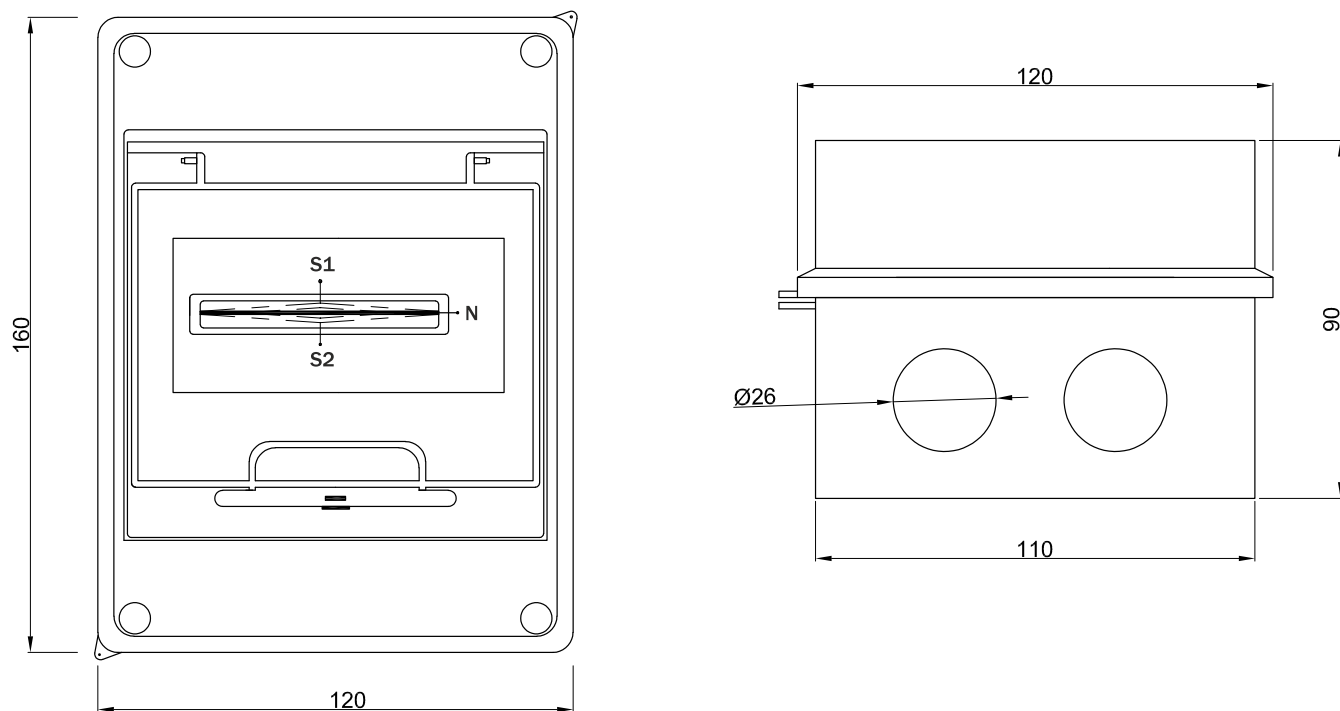
PROTECTION FEATURES

- Dry run Protection
- Overload Protection
- Open Circuit Protection
- Short Circuit Protection
- Over Heat
- Ingress protection IP65

CHANGE OVER SWITCH

A change-over switch is a dual input single output device, which is used to change the input power source to the controller. It is generally used with controllers/drives which have options to run from solar as well as from grid. There are three operative positions in change-over switch corresponding to S1, S2, (Up and Down) & N (Middle). In case of S1 and S2 positions the corresponding sources are connected to output whereas in N position none of the sources are connected to output. Conventionally the name of the sources is marked in S1 and S2 position for convenience of the user. These change-over switches are provided in a dust and rainproof boxes.

Note: It should be noted that while changing the power source through changeover the N position should be used until the display of the controller turns off. This intermediate use of N position avoids inrush currents through the changeover switch & improves its life.



SHAKTI DU/DT FILTER

The applications involving long connecting cables (typically 100 m and above) between the VFD (Variable Frequency Drive) output and motor terminal, high voltage spikes are observed at receiving/motor end. The magnitude of these voltage spikes may go up to double the DC bus voltage of VFD depending on length of the cable. The high du/dt at the controller output is the primary reason for these voltage spikes. These high voltage spikes may lead to insulation failure in the connected motor or cable. This problem can be resolved using an appropriate du/dt filter at the output of the controller.

Conventionally used first order filter reduces this problem however; the second order Shakti du/dt filter mitigates this problem to a greater extent. It is a unique product which is designed, developed and manufactured by Shakti Pumps (India) Ltd. The IP54 design eliminates the requirement of outer casing and provides a fair protection against dust and water. This product comes with a wide variety of distinguished features such as: compact size, shock-proof plug and play connectors, capability to operate in wide temperature range and harsh environments.

APPLICATION

Reduces voltage spikes, common mode & bearing current.

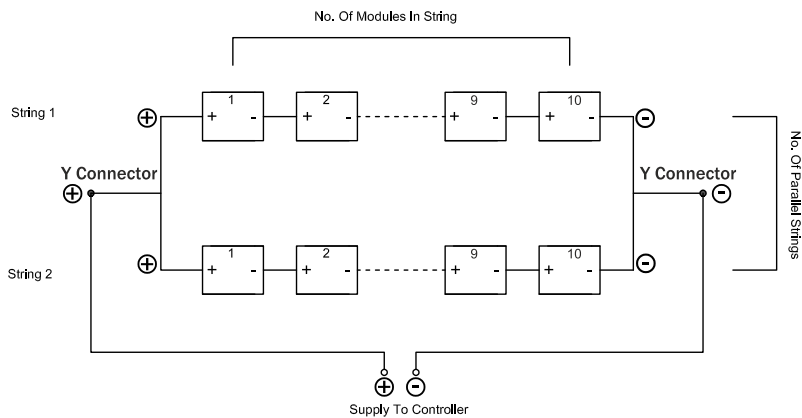
SOLAR POWER SELECTION & CONFIGURATION

S. No.	Motor Input Power (W)		PV Module Wattage (W)	Total No. of Modules Required	Module Configuration		Structure Configuration (No. of Modules)			
	Min	Max			No. of Modules in String	No. of Parallel Strings	4	6	9	10
1	900	1020	340	3	3	1	1			
2	1200	1360	340	4	4	1	1			
4	1800	2040	340	6	6	1		1		
5	3000	3060	340	9	9	1			1	
6	4800	5100	340	15	15	1		1	1	
7	6750	6800	340	20	10	2				2
8	9000	9520	340	28	14	2			1	2
9	11250	12240	340	36	12	3		1		3
10	13500	13600	340	40	10	4				4
11	18000	19040	340	56	14	4		1		5
12	22500	23800	340	70	14	5				7
13	27000	28560	340	84	14	6	1			8
14	36000	38080	340	112	16	7	1			11
15	45000	45900	340	135	15	9		1		13
16	54000	54400	340	160	16	10				16

Example :

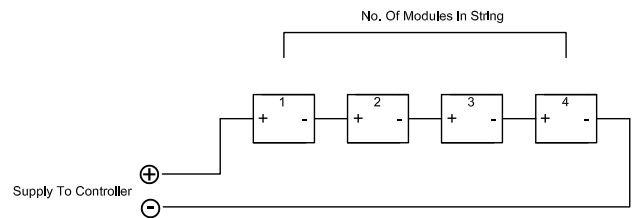
PARALLEL CONNECTION

Module Configuration For 6750 watt



SERIES CONNECTION

Module Configuration For 1200 watt



SOLAR PUMPING SYSTEM



SOLAR 16.5 DCSSP 900

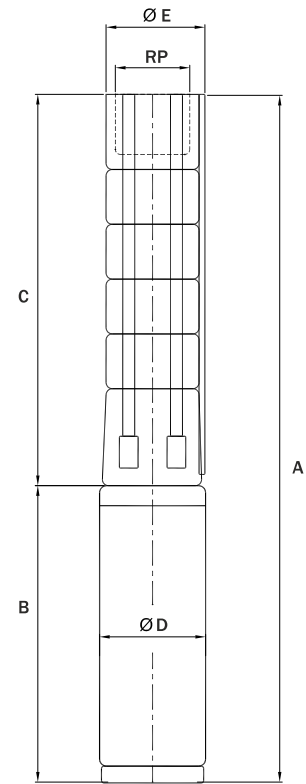
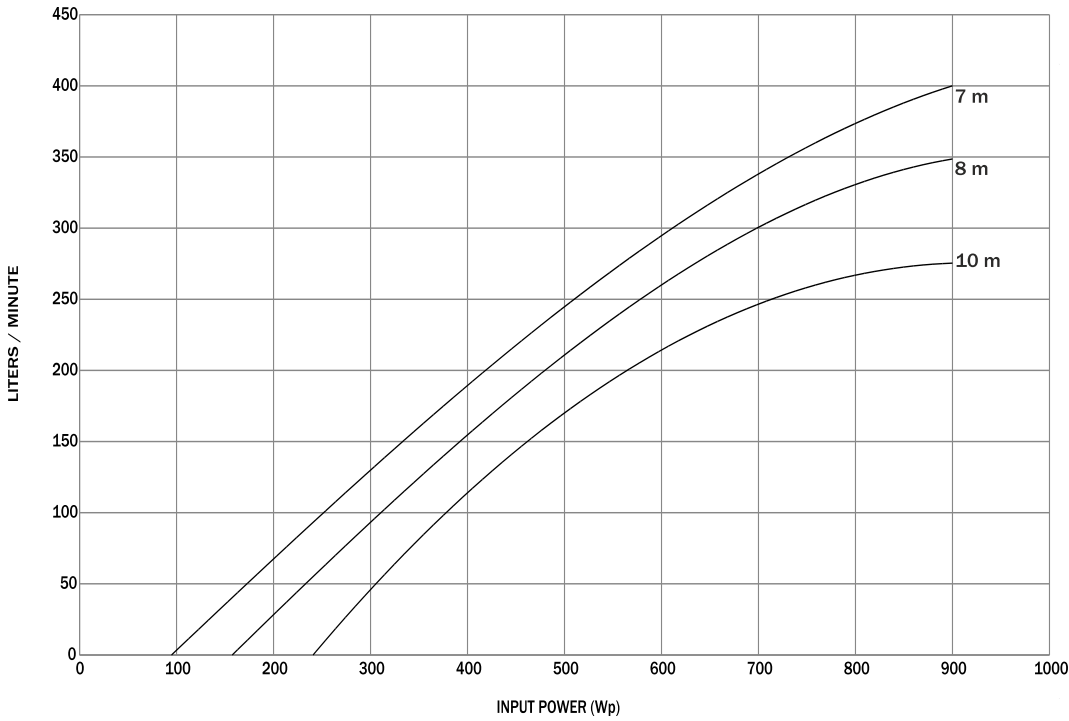
BSP 50 mm (4X6)

PUMPSET CODE : 9500000828

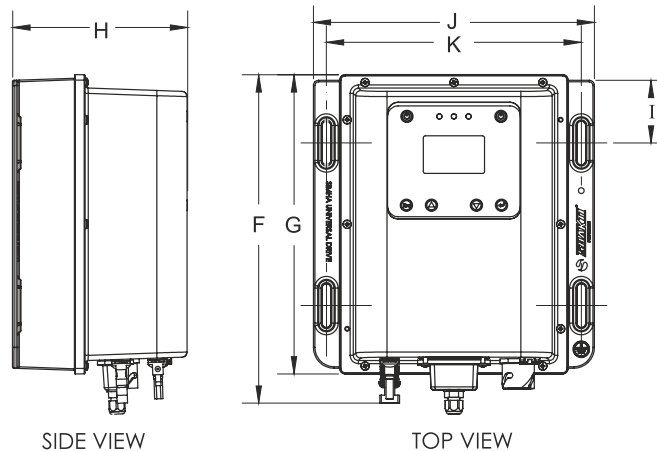
DISCHARGE (LPD) : 106200

DISCHARGE (LPW) : 118

DUTY HEAD : 10 METER



	INPUT POWER (Wp)						
	900	700	550	400	250	150	100
HEAD (m)	FLOW IN LPM						
10	280	236	192	129	0		
8	350	295	240	161	50	0	
7	400	337	274	184	100	40	0

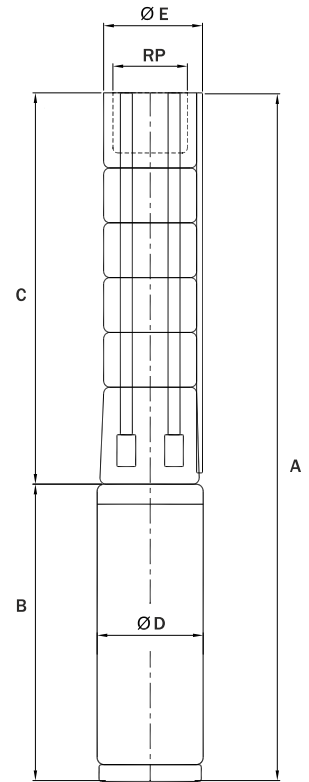
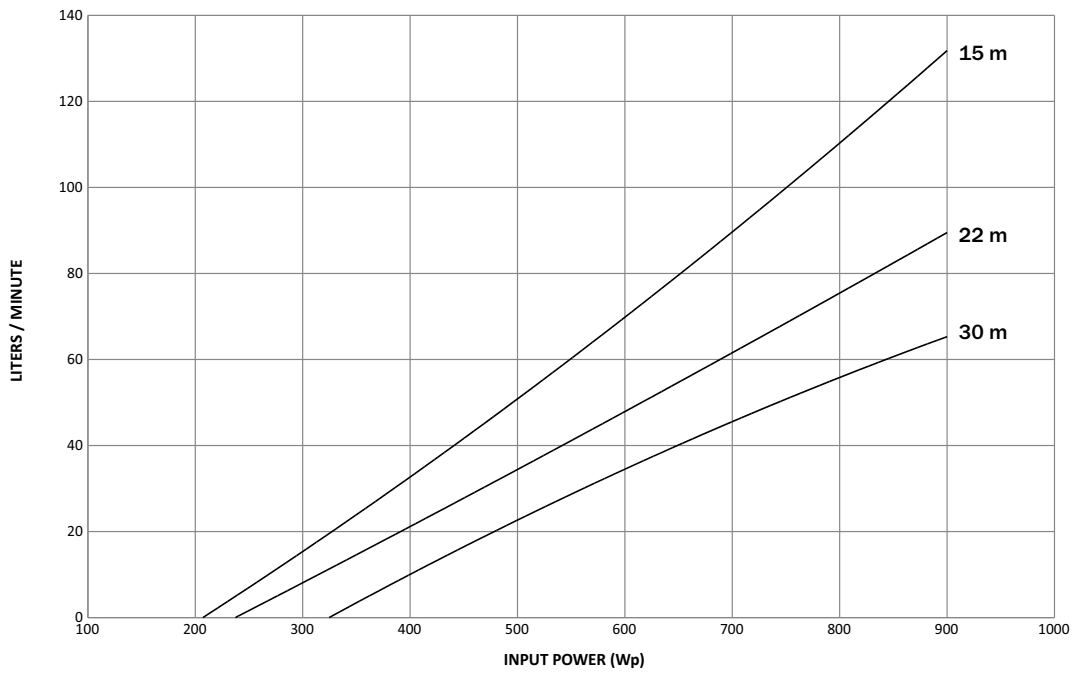


CONTROLLER CODE : 9600000096

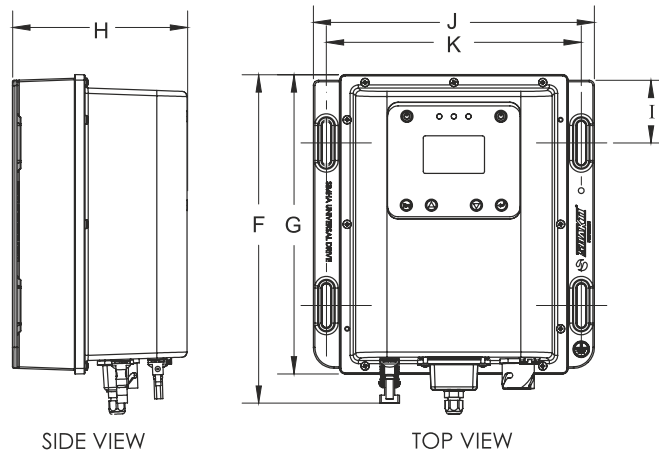
SOLAR PUMPING SYSTEM



SOLAR 3.0 DCSSP 900
 BSP 32 mm (3X4)
 PUMPSET CODE : 9500001982
 DISCHARGE (LPD) : 22950
 DISCHARGE (LPW) : 25.5
 DUTY HEAD : 30 METER



HEAD (m)	INPUT POWER (Wp)						
	900	800	725	550	325	250	225
	FLOW IN LPM						
30	65	57	47	29	0		
22	89	78	64	40	14	0	
15	130	114	94	58	21	10	0

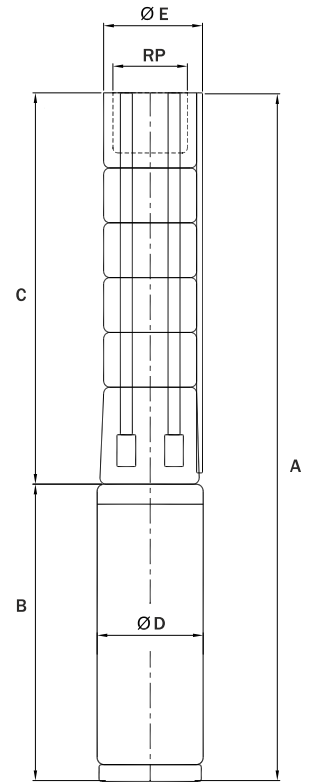
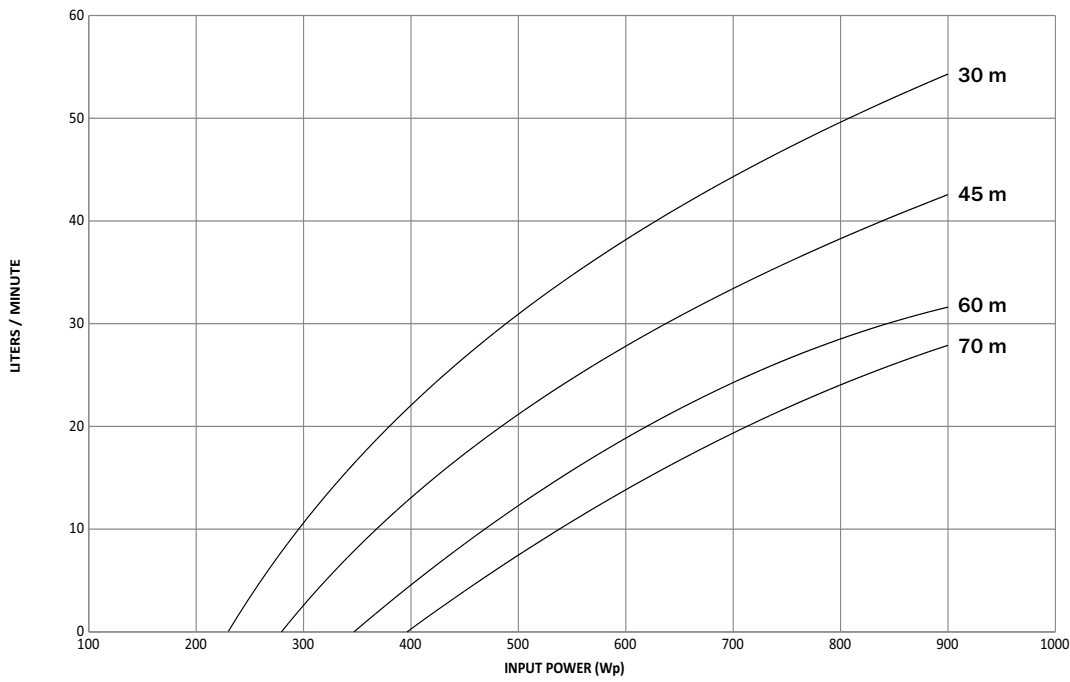


CONTROLLER CODE : 9600000096

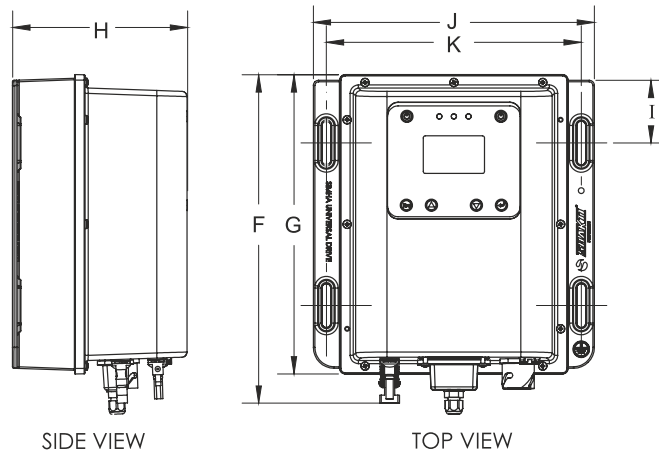
SOLAR PUMPING SYSTEM



SOLAR 2.0 DCSSP 900
BSP 32 mm (3X4)
PUMPSET CODE : 9500001949
DISCHARGE (LPD) : 11700
DISCHARGE (LPW) : 13.0
DUTY HEAD : 60 METER



HEAD (m)	INPUT POWER (Wp)						
	900	700	500	400	350	300	230
	FLOW IN LPM						
70	28	19	8	0			
60	32	23	14	4	0		
45	42	33	22	14	10	0	
30	54	44	32	22	17	10	0



CONTROLLER CODE : 9600000096

SOLAR PUMPING SYSTEM



SOLAR 20.5 DCSSP 1200

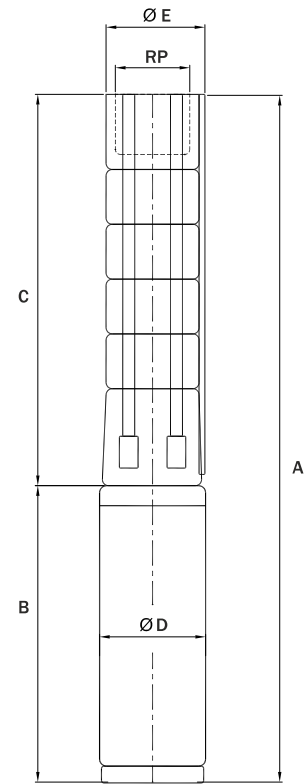
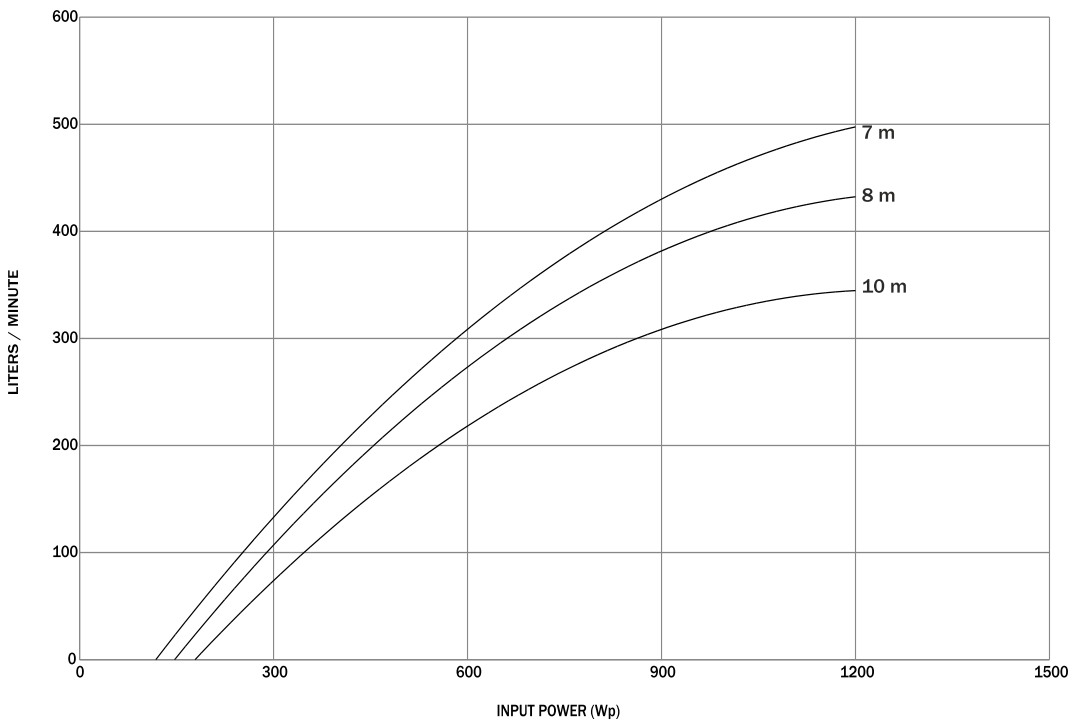
BSP 50 mm (4X6)

PUMPSET CODE : 9500001597

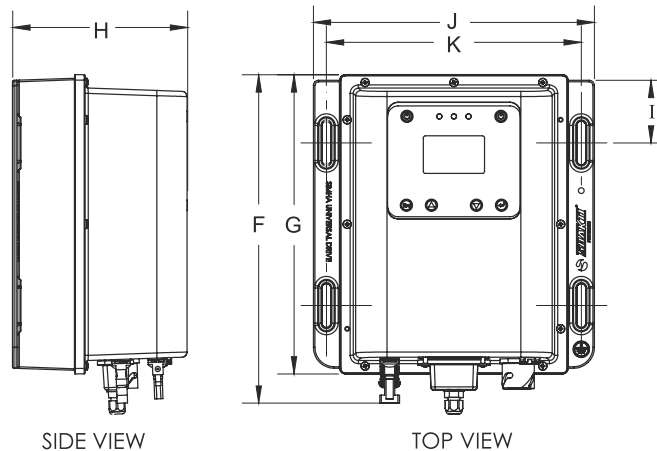
DISCHARGE (LPD) : 154800

DISCHARGE (LPW) : 129

DUTY HEAD : 10 METER



	INPUT POWER (Wp)						
	1200	850	600	250	200	150	100
HEAD (m)	FLOW IN LPM						
10	347	290	222	59	0		
8	434	363	278	74	40	0	
7	496	414	317	84	55	25	0

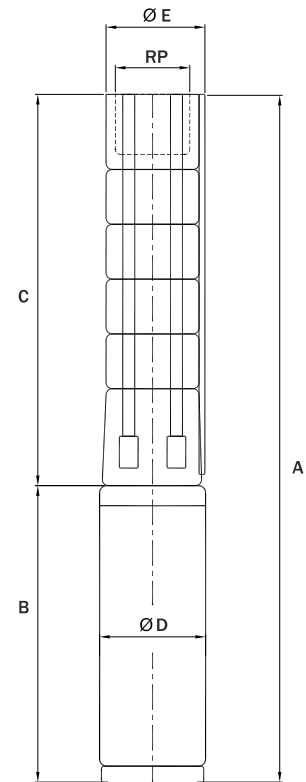
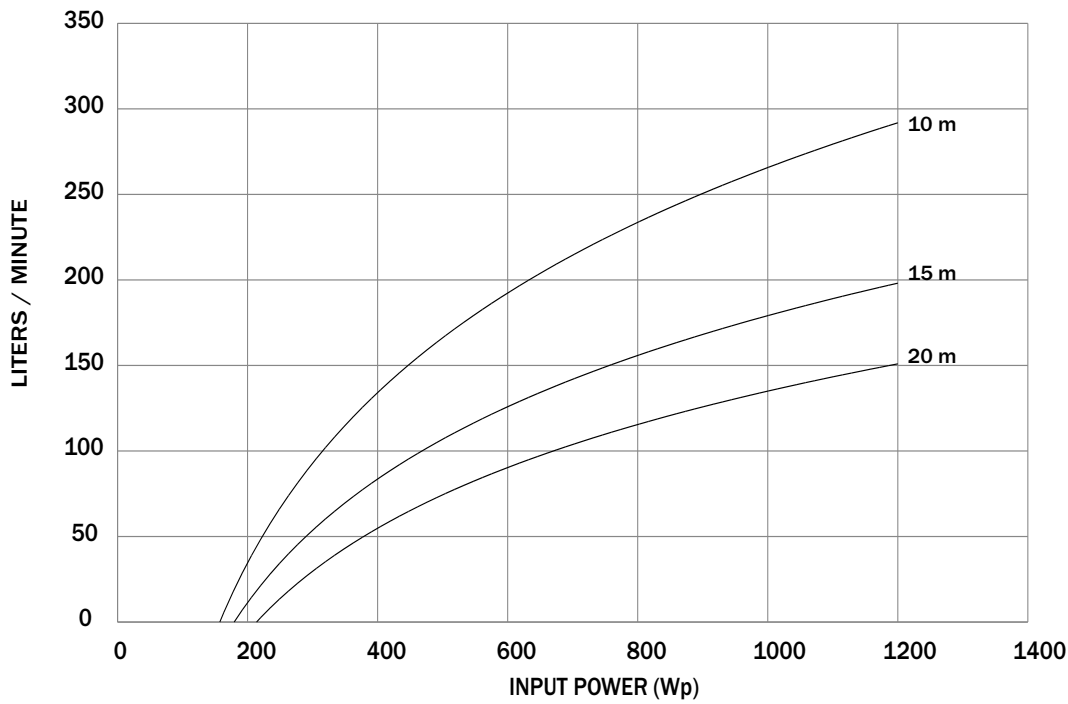


CONTROLLER CODE : 9600000096

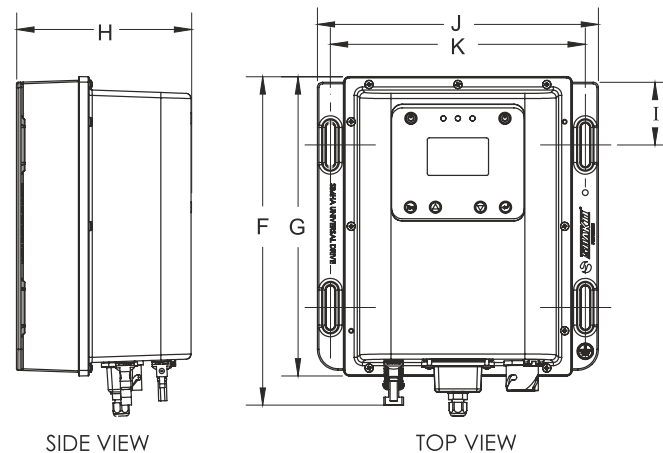
SOLAR PUMPING SYSTEM



SOLAR 10 DCSSP 1200
 BSP 50 mm (4X4)
 PUMPSET CODE : 9500000819
 DISCHARGE (LPD) : 73200
 DISCHARGE (LPW) : 61
 DUTY HEAD : 20 METER



	INPUT POWER (Wp)						
	1200	950	700	350	250	200	150
HEAD (m)	FLOW IN LPM						
20	143	132	109	58	0		
15	191	176	145	77	40	0	
10	286	264	218	116	60	30	0



CONTROLLER CODE : 9600000096

SOLAR PUMPING SYSTEM



SOLAR 8 DCSSP 1200

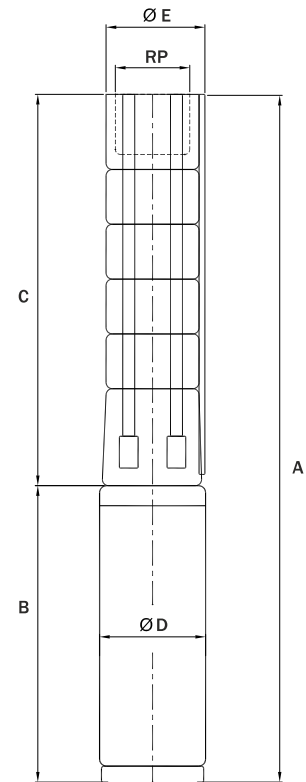
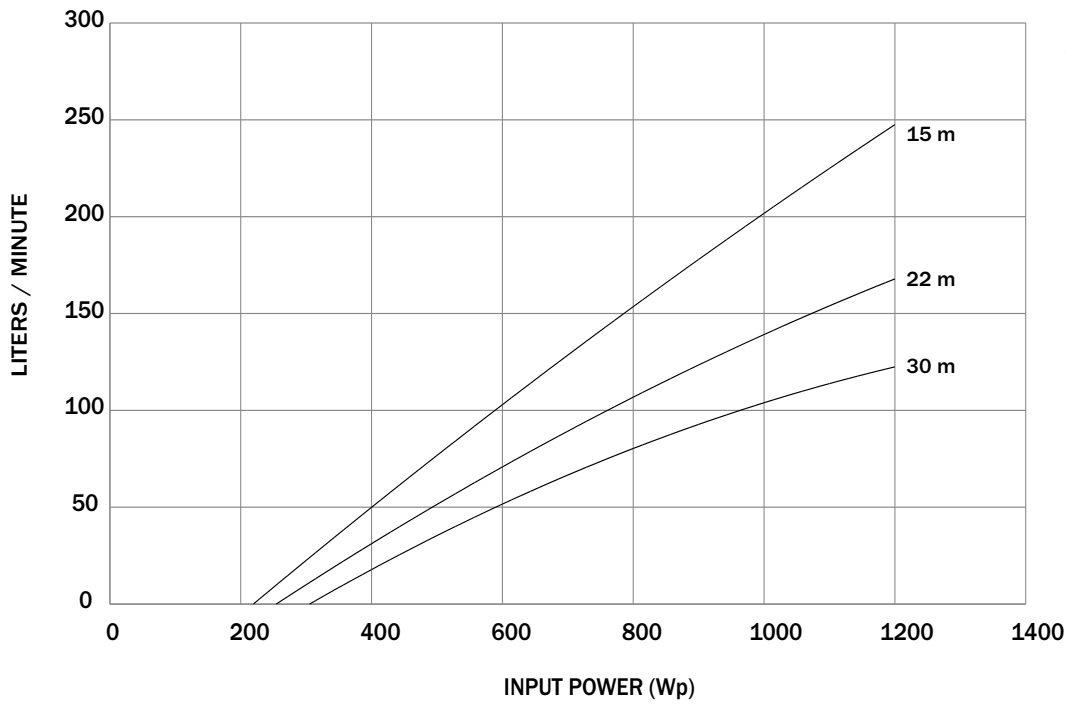
BSP 50 mm (4X4)

PUMPSET CODE : 9500000939

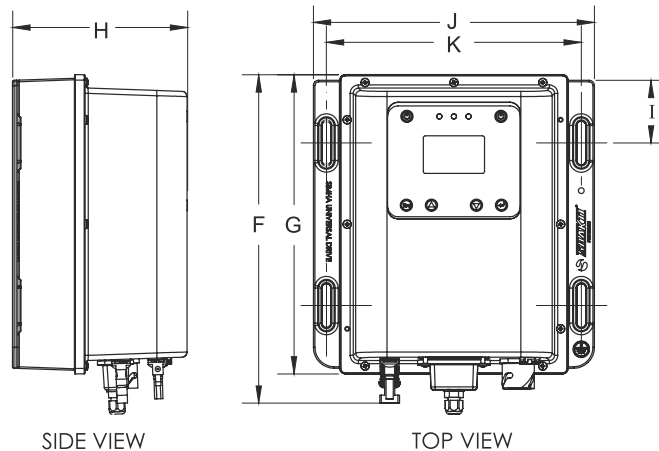
DISCHARGE (LPD) : 49152

DISCHARGE (LPW) : 41.0

DUTY HEAD : 30 METER



	INPUT POWER (Wp)						
	1200	850	600	500	300	250	200
HEAD (m)	FLOW IN LPM						
30	122	88	52	33	0		
22	166	120	71	45	12	0	
15	244	176	104	66	18	11	0



CONTROLLER CODE : 9600000096

SOLAR PUMPING SYSTEM



SOLAR 3 DCSSP 1200

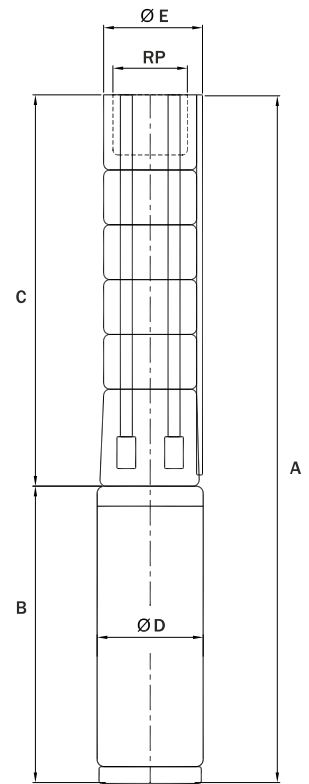
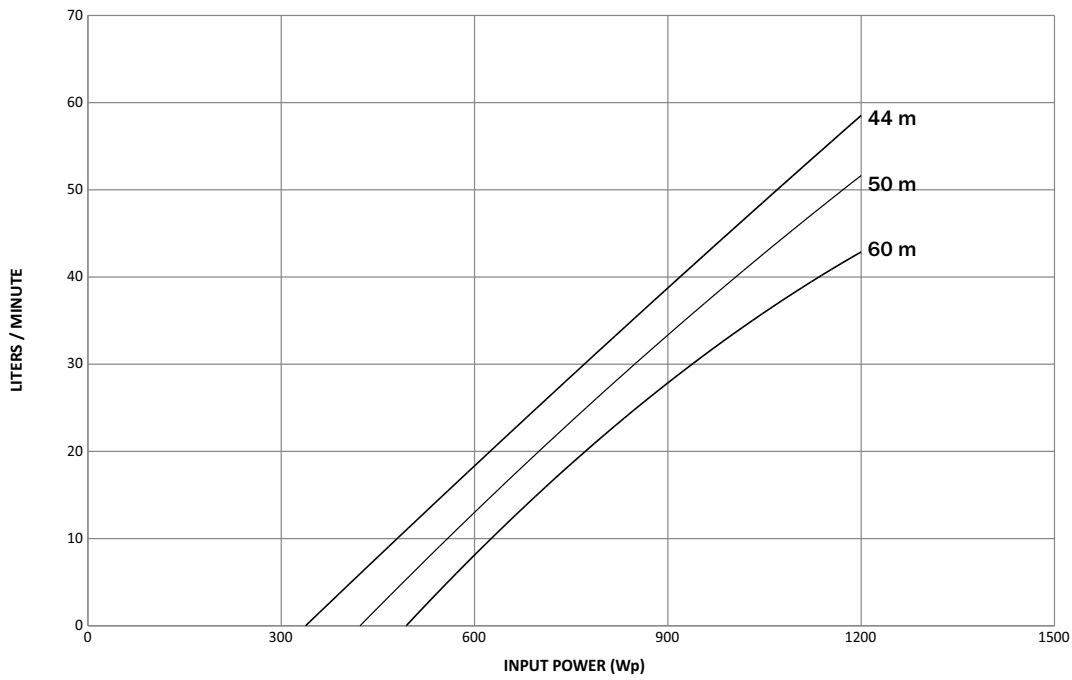
BSP 32 mm (3X4)

PUMPSET CODE : 9500001983

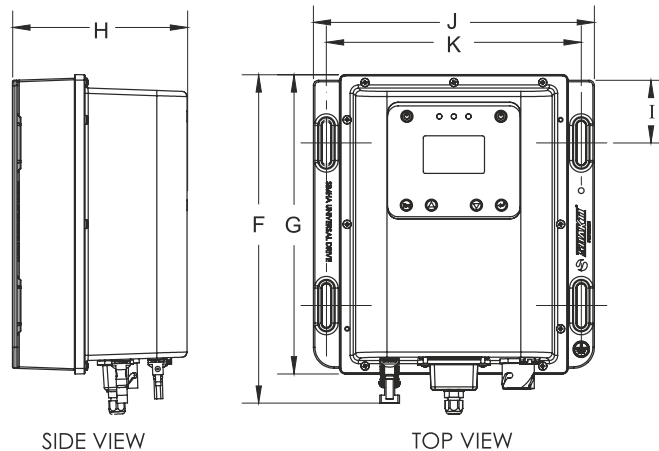
DISCHARGE (LPD) : 14400

DISCHARGE (LPW) : 12.0

DUTY HEAD : 60 METER



	INPUT POWER (Wp)						
	1200	1100	950	750	500	450	350
HEAD (m)	FLOW IN LPM						
60	44	37	30	20	0		
50	53	44	36	24	8	0	
44	60	50	41	30	11	9	0



CONTROLLER CODE : 9600000096

SOLAR PUMPING SYSTEM



SOLAR 34 DCSSP 1800

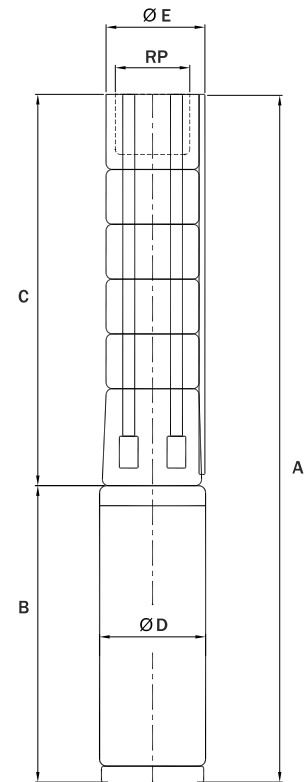
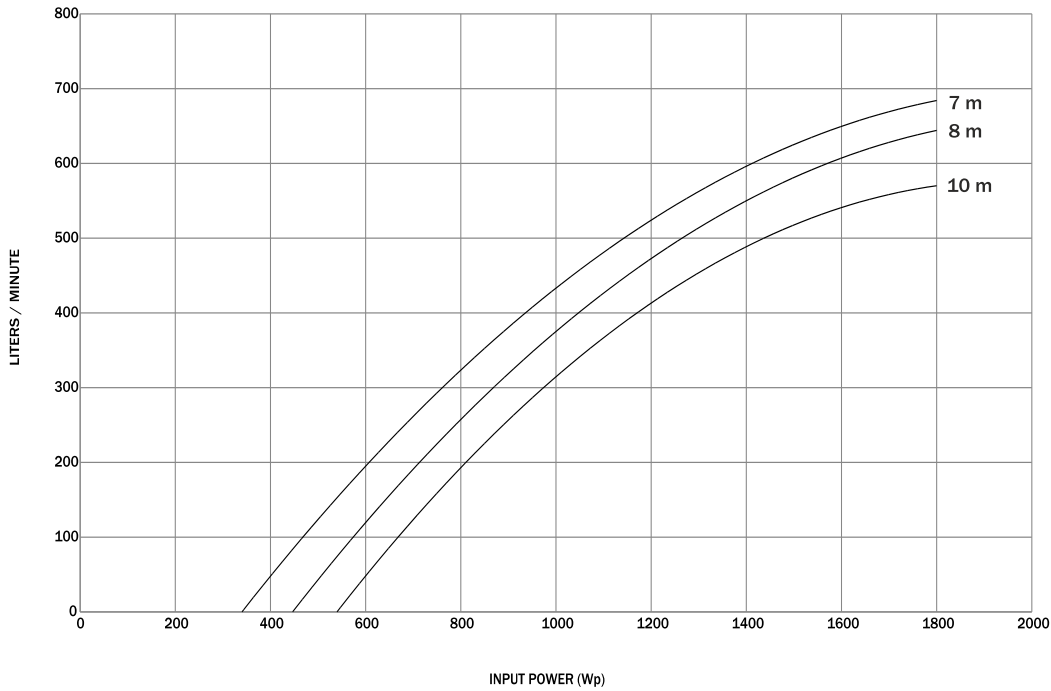
BSP 75 mm (4X6)

PUMPSET CODE : 9500000853

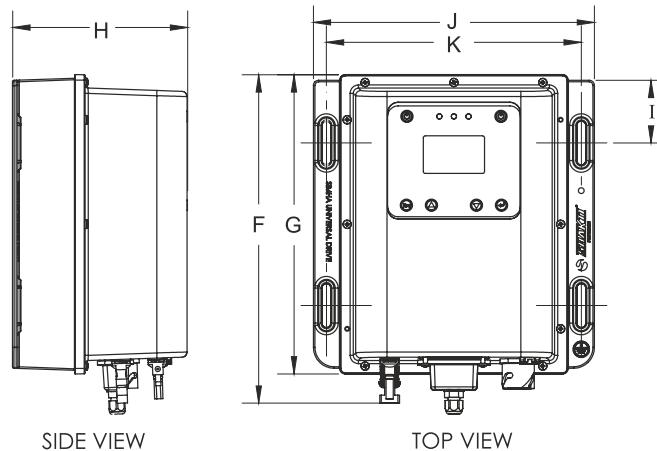
DISCHARGE (LPD) : 237600

DISCHARGE (LPW) : 132

DUTY HEAD : 10 METER



	INPUT POWER (Wp)						
	1800	1450	1050	900	550	500	350
HEAD (m)	FLOW IN LPM						
10	580	480	350	270	0		
8	645	560	440	270	140	0	
7	690	595	500	330	230	80	0

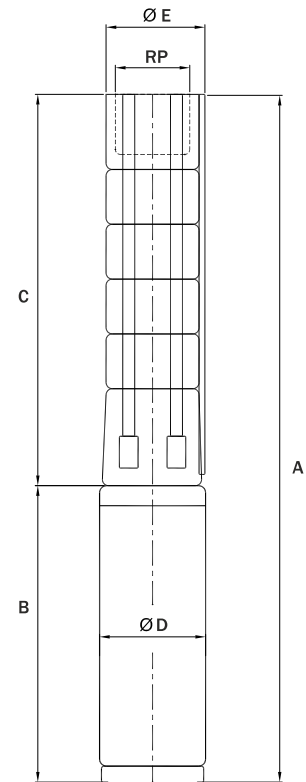
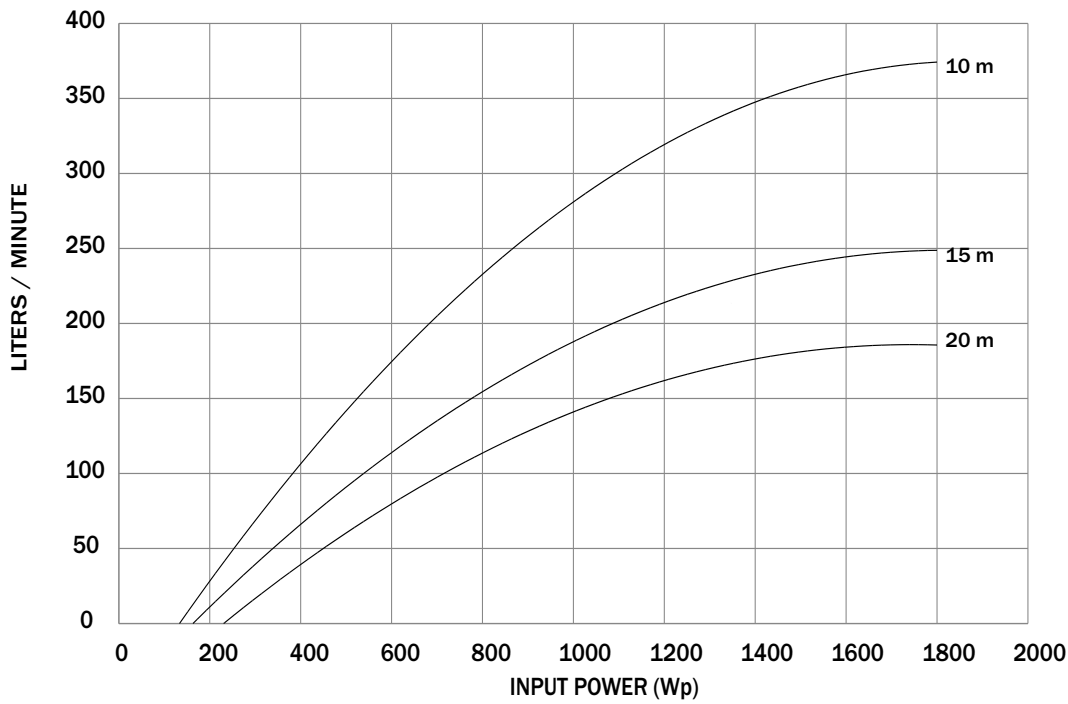


CONTROLLER CODE : 9600000096

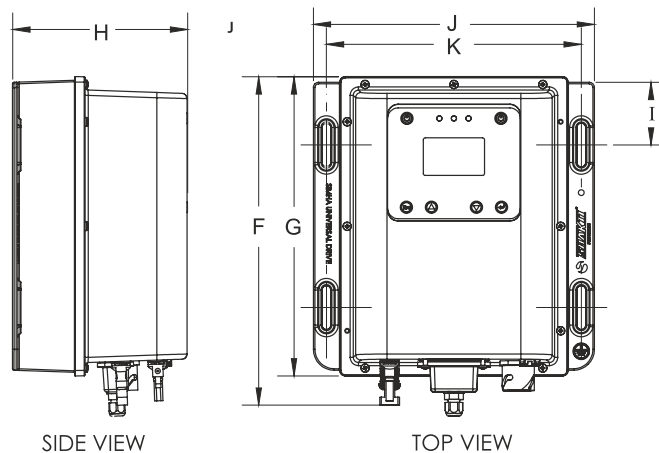
SOLAR PUMPING SYSTEM



SOLAR 12 DCSSP 1800
 BSP 50 mm (4X4)
 PUMPSET CODE : 9500000844
 DISCHARGE (LPD) : 104400
 DISCHARGE (LPW) : 58.0
 DUTY HEAD : 20 METER



	INPUT POWER (Wp)						
	1800	1450	1100	700	250	200	150
HEAD (m)	FLOW IN LPM						
20	190	173	146	110	0		
15	253	231	195	147	33	0	
10	380	346	292	220	50	30	0

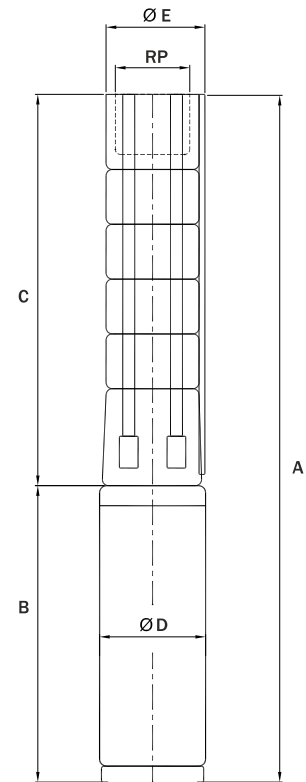
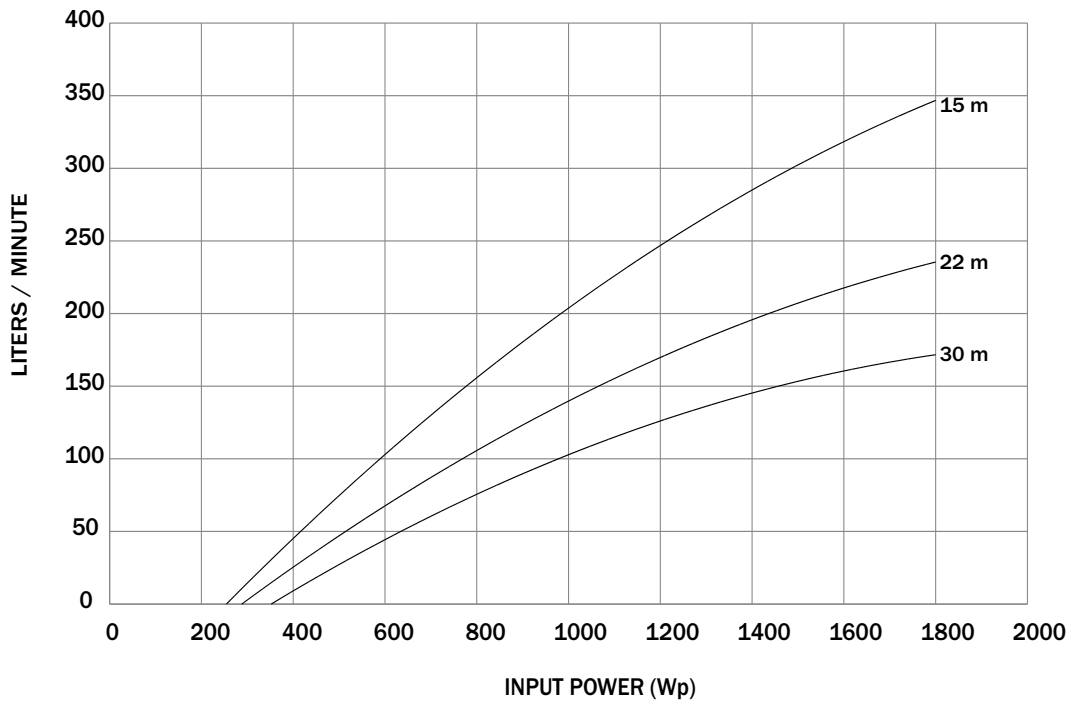


CONTROLLER CODE : 9600000096

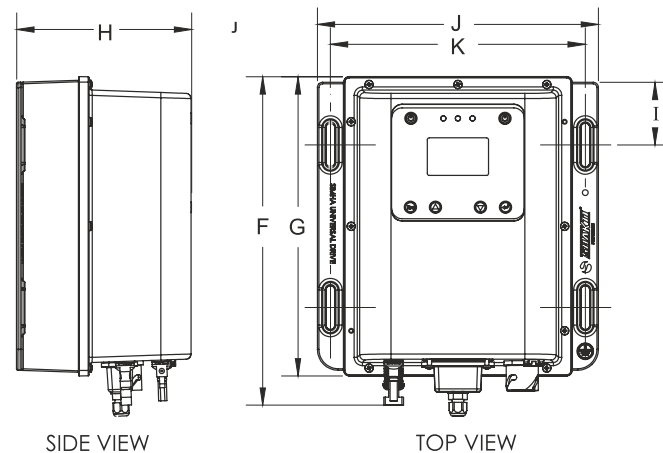
SOLAR PUMPING SYSTEM



SOLAR 10.5 DCSSP 1800
 BSP 50 mm (4X4)
 PUMPSET CODE : 9500000941
 DISCHARGE (LPD) : 76500
 DISCHARGE (LPW) : 42.5
 DUTY HEAD : 30 METER



	INPUT POWER (Wp)						
	1800	1450	1100	700	350	300	250
HEAD (m)	FLOW IN LPM						
30	172	148	117	59	0		
22	235	202	160	80	20	0	
15	344	296	234	118	29	18	0



CONTROLLER CODE : 9600000096

SOLAR PUMPING SYSTEM



SOLAR 6 DCSSP 1800

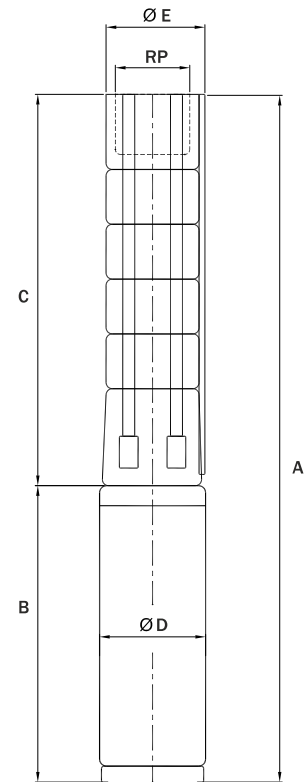
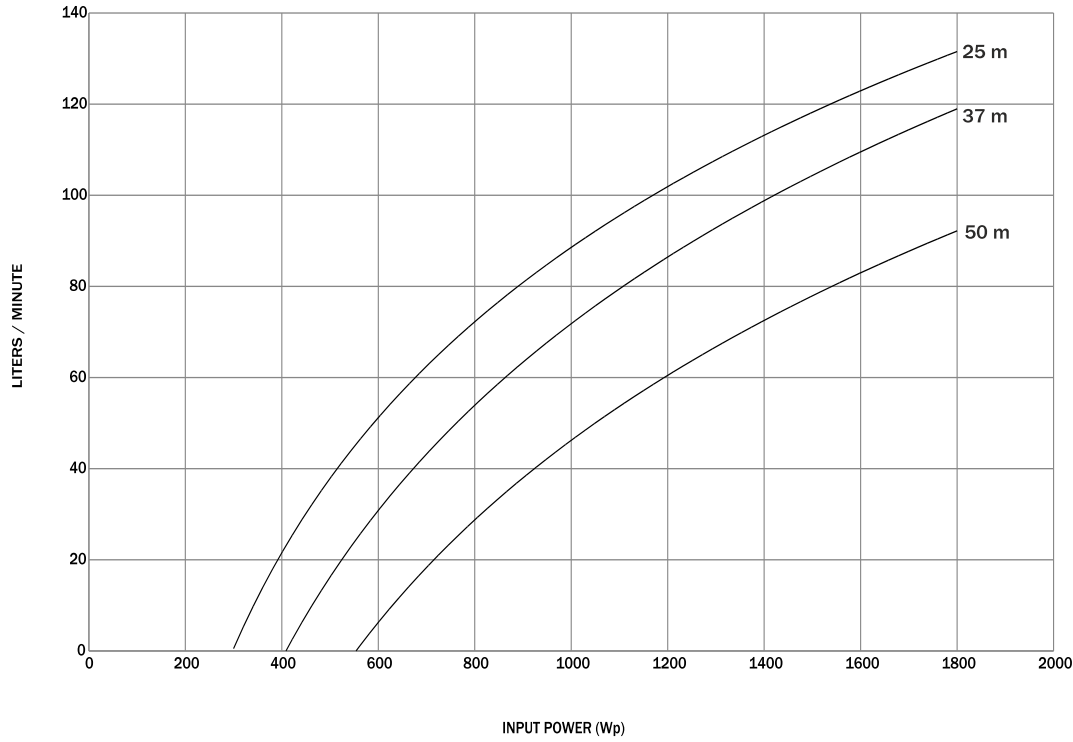
BSP 40 mm (4X4)

PUMPSET CODE : 9500001150

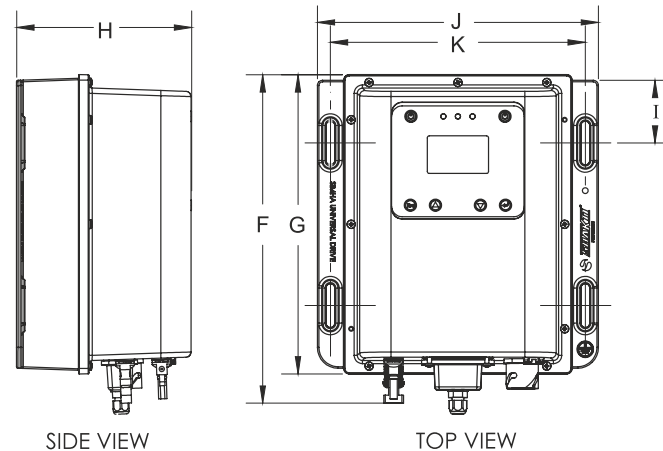
DISCHARGE (LPD) : 33300

DISCHARGE (LPW) : 18.5

DUTY HEAD : 50 METER



	INPUT POWER (Wp)						
	1800	1550	1150	800	550	400	300
HEAD (m)	FLOW IN LPM						
50	90	83	58	27	0		
37	119	106	85	54	21	0	
25	130	119	101	75	45	20	0



CONTROLLER CODE : 9600000096

SOLAR PUMPING SYSTEM



SOLAR 2 DCSSP 1800

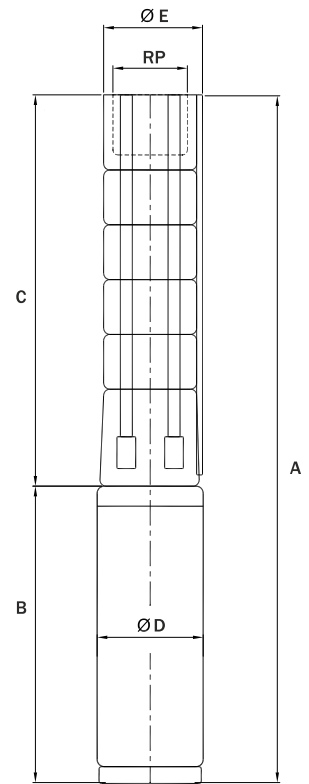
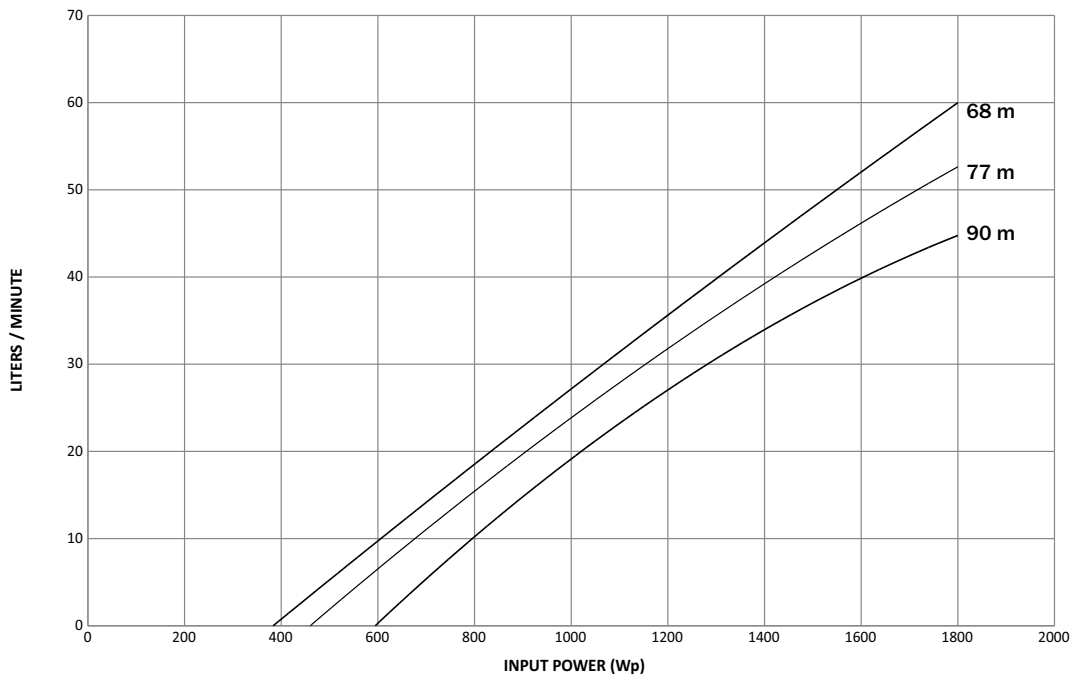
BSP 32 mm (4X4)

PUMPSET CODE : 9500001984

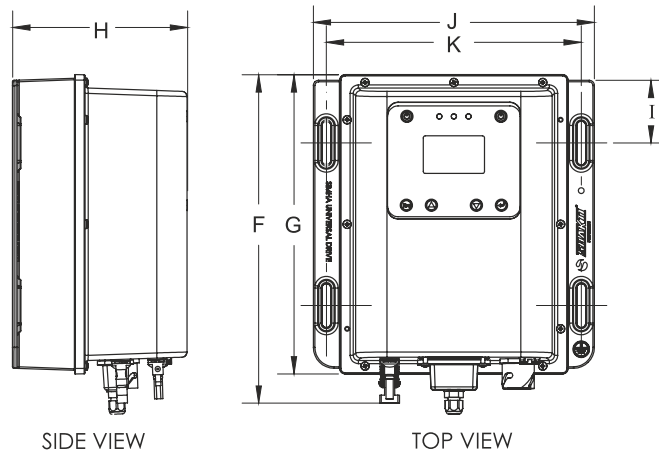
DISCHARGE (LPD) : 16200

DISCHARGE (LPW) : 9.0

DUTY HEAD : 90 METER



	INPUT POWER (Wp)						
	1800	1600	1400	1000	600	500	400
HEAD (m)	FLOW IN LPM						
90	45	40	33	20	0		
77	53	47	39	23	9	0	
68	60	53	44	26	10	6	0



CONTROLLER CODE : 9600000096

SOLAR PUMPING SYSTEM



SOLAR 1.5 DCSSP 1800

BSP 32 mm (4X4)

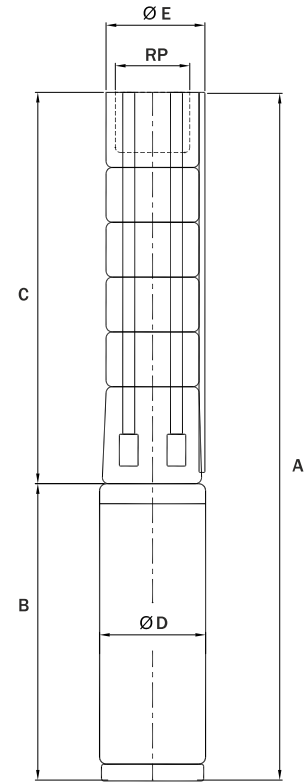
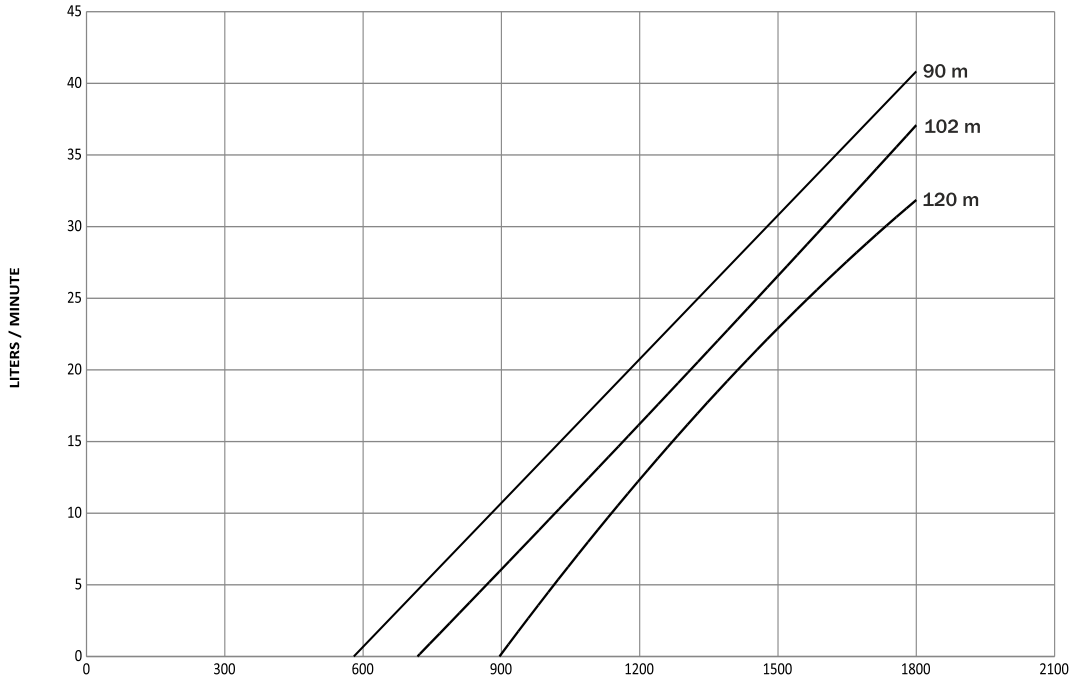
PUMPSET CODE : 9500001769

DISCHARGE (LPD) : 9000

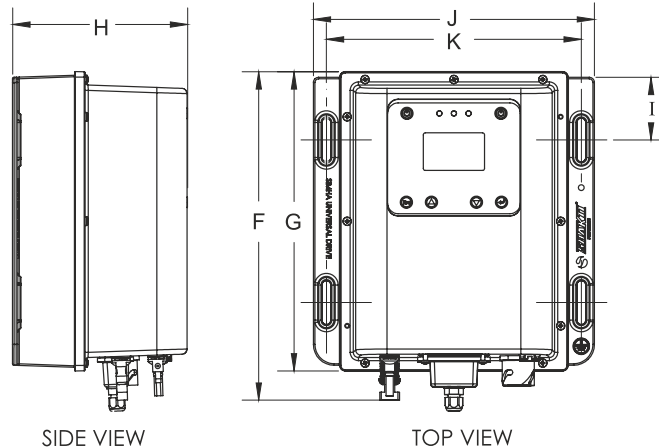
DISCHARGE (LPW) : 5

DUTY HEAD : 120 METER

CHOKE CODE : 9600000025



	INPUT POWER (Wp)						
	1800	1700	1400	1200	900	800	600
HEAD (m)	FLOW IN LPM						
120	32	29	19	13	0		
102	37	34	22	15	10	0	
90	42	39	25	17	14	8	0



CONTROLLER CODE : 9600000096

SOLAR PUMPING SYSTEM



SOLAR 48 DCSSP 3000

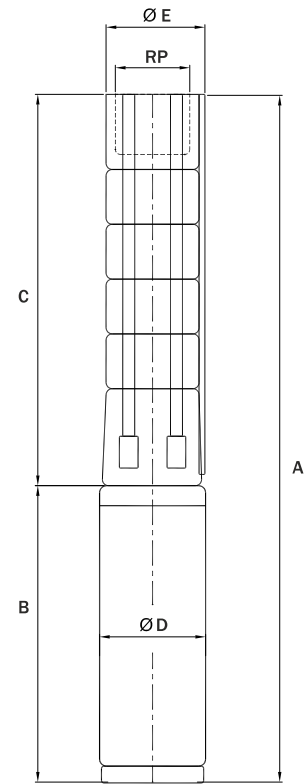
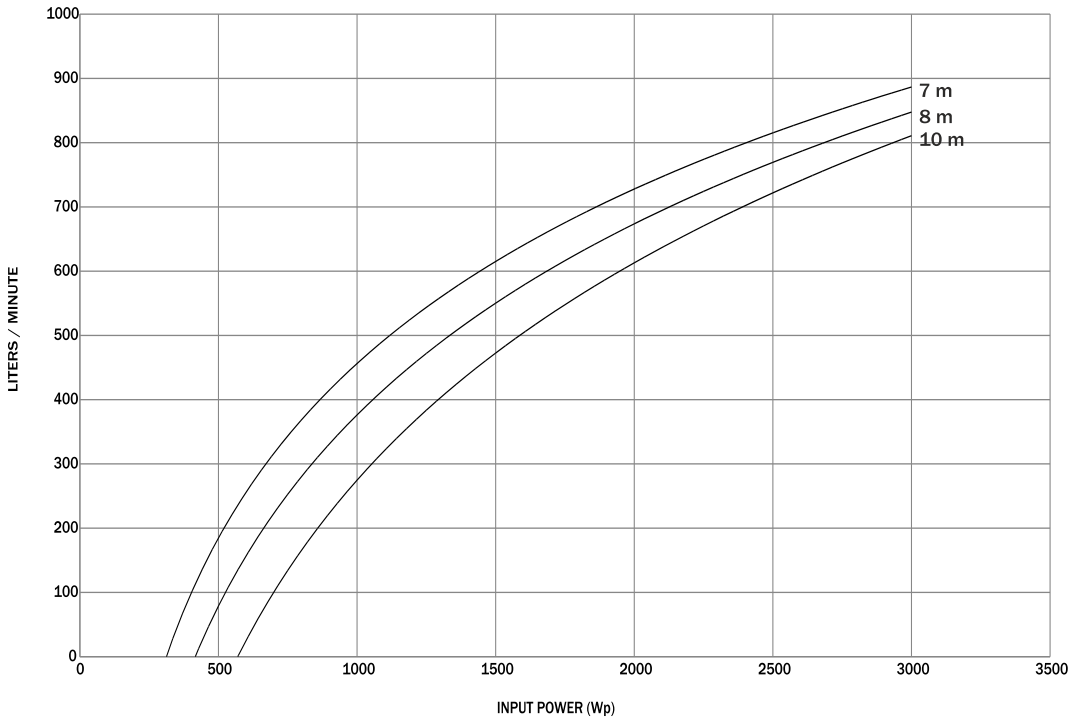
BSP 75 mm (4X6)

PUMPSET CODE : 9500000862

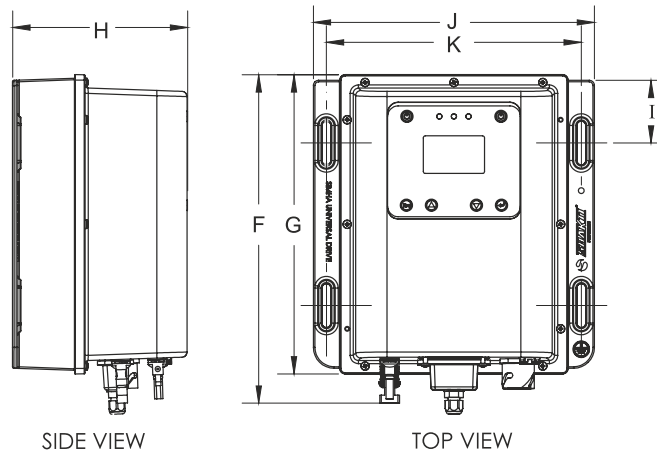
DISCHARGE (LPD) : 373500

DISCHARGE (LPW) : 124.5

DUTY HEAD : 10 METER



	INPUT POWER (Wp)						
	3000	2350	1450	900	600	400	300
HEAD (m)	FLOW IN LPM						
10	802	685	470	250	0		
8	847	750	520	360	120	0	
7	900	790	580	427	250	85	0

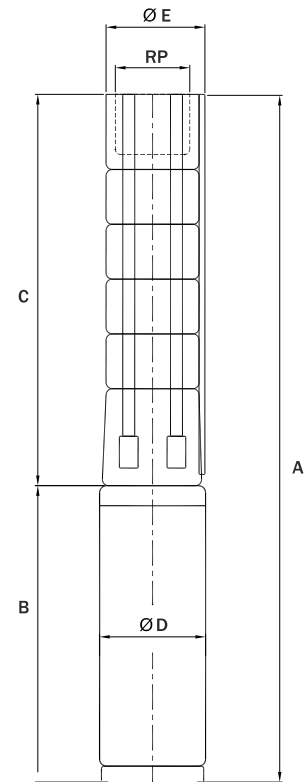
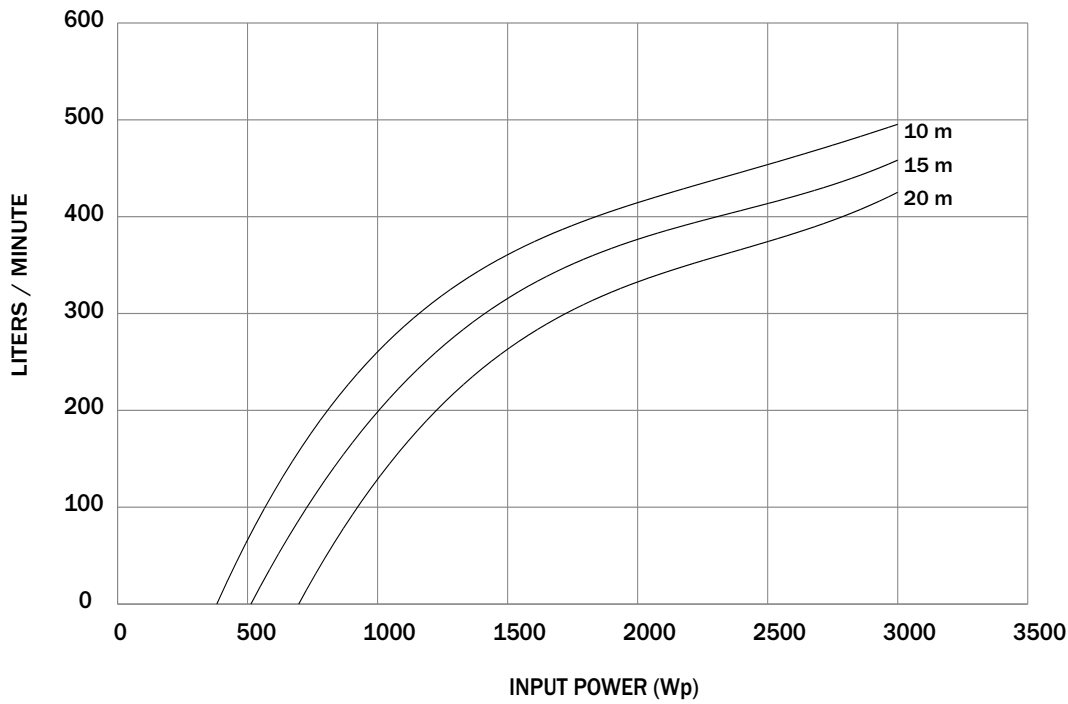


CONTROLLER CODE : 9600000088

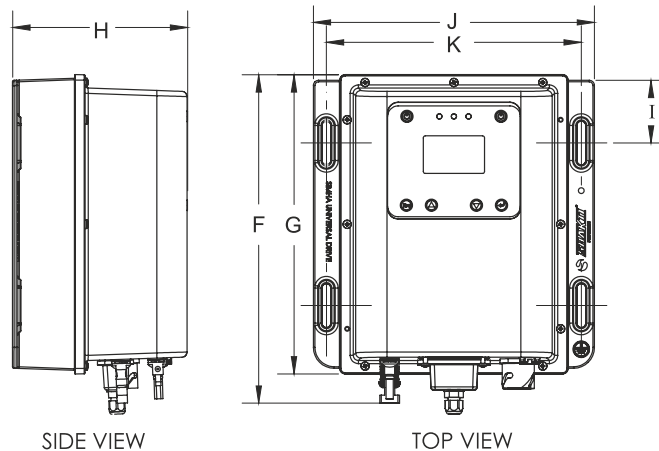
SOLAR PUMPING SYSTEM



SOLAR 31 DCSSP 3000
 BSP 63 mm (4X6)
 PUMPSET CODE : 9500000854
 DISCHARGE (LPD) : 190600
 DISCHARGE (LPW) : 63.5
 DUTY HEAD : 20 METER



	INPUT POWER (Wp)						
	3000	2400	1800	1200	700	500	400
HEAD (m)	FLOW IN LPM						
20	424	371	303	198	0		
15	458	409	350	265	75	0	
10	495	448	391	318	140	90	0

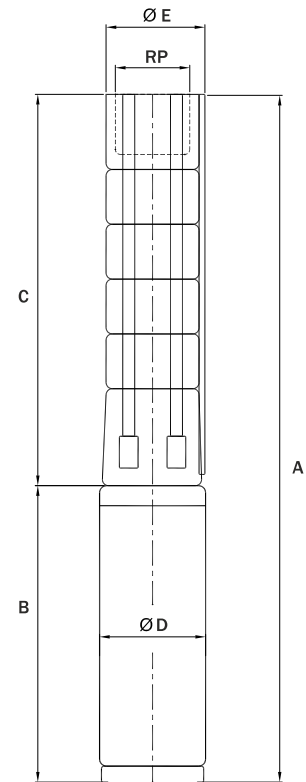
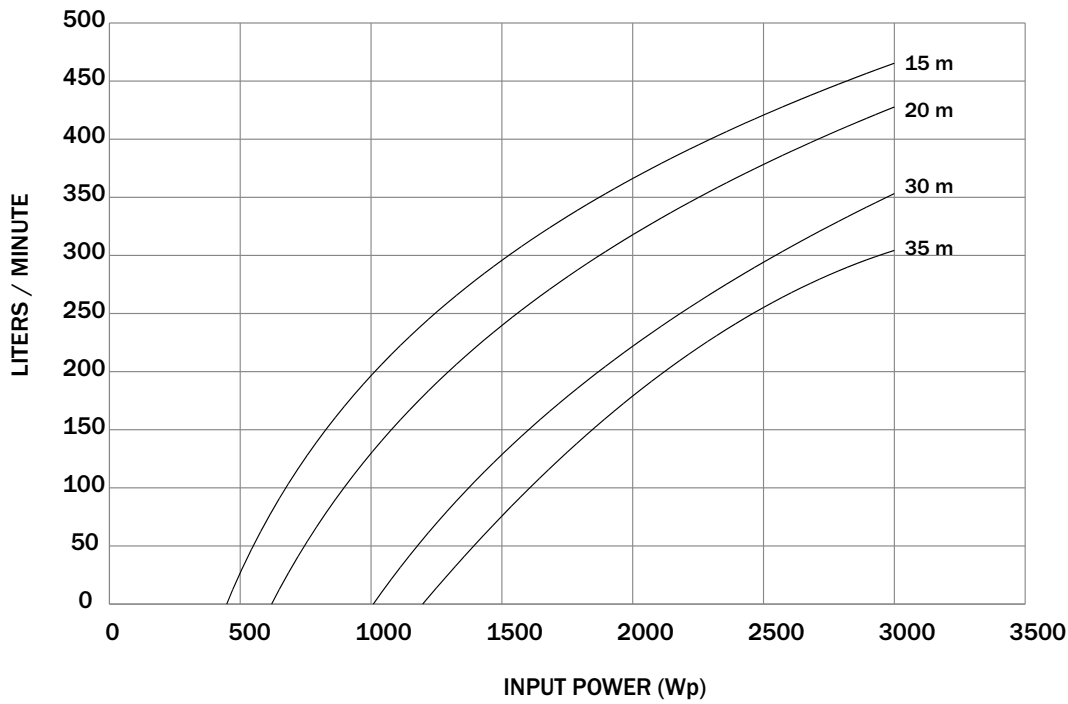


CONTROLLER CODE : 9600000088

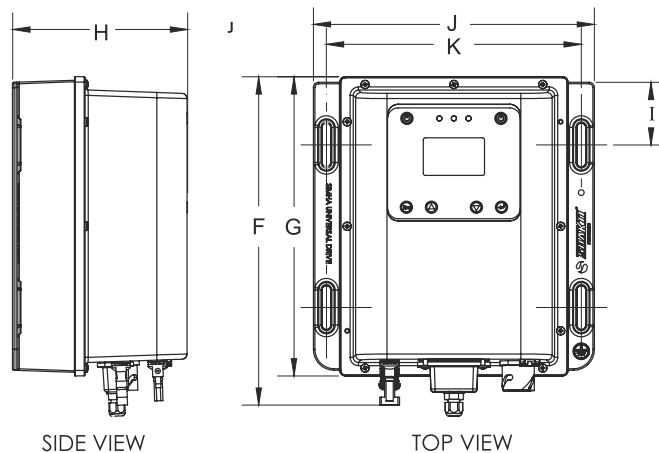
SOLAR PUMPING SYSTEM



SOLAR 21 DCSSP 3000
 BSP 63 mm (4X6)
 PUMPSET CODE : 9500000949
 DISCHARGE (LPD) : 127500
 DISCHARGE (LPW) : 42.5
 DUTY HEAD : 30 METER



HEAD (m)	INPUT POWER (Wp)						
	3000	2400	1800	1200	1050	700	500
	FLOW IN LPM						
35	305	240	143	0			
30	348	278	200	65	0		
20	412	361	298	205	163	0	
15	455	403	339	260	225	120	0

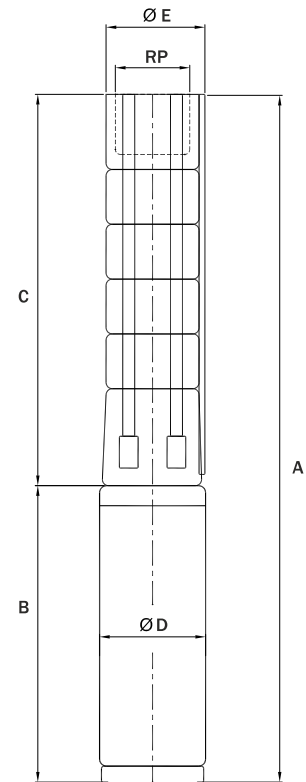
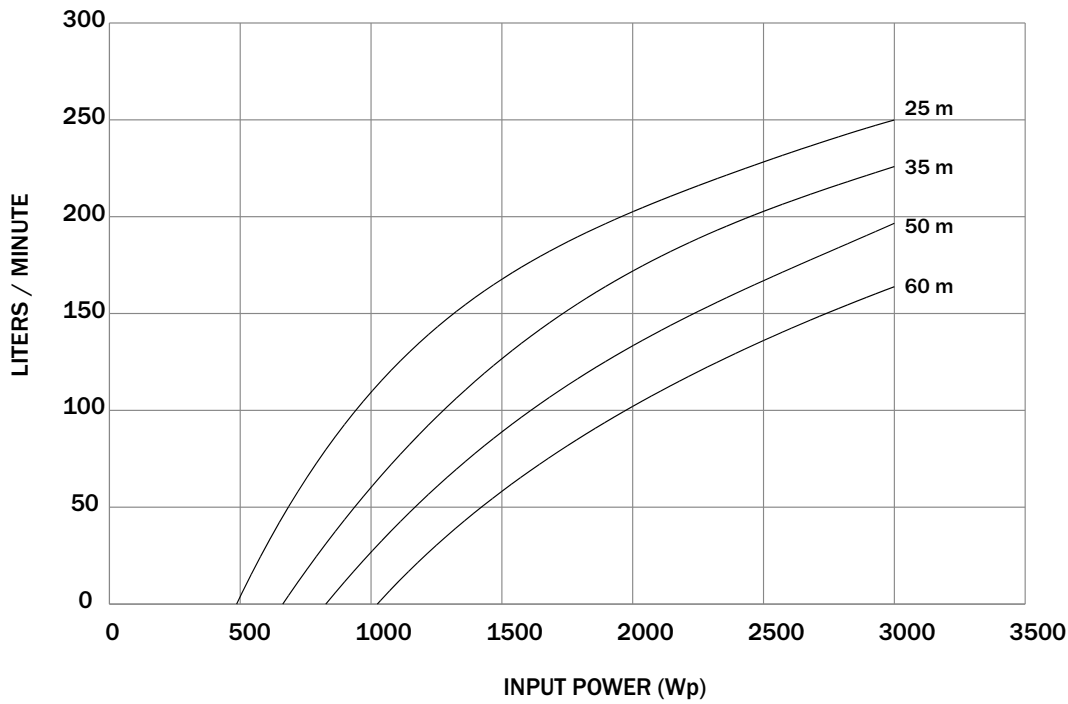


CONTROLLER CODE : 9600000088

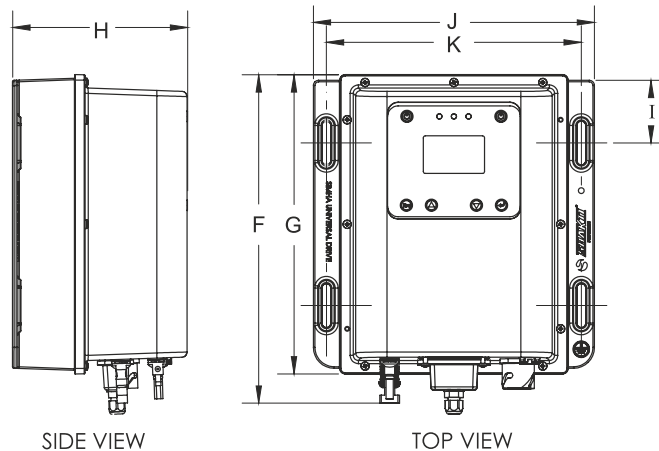
SOLAR PUMPING SYSTEM



SOLAR 10.5 DCSSP 3000
 BSP 50 mm (4X4)
 PUMPSET CODE : 9500000950
 DISCHARGE (LPD) : 82500
 DISCHARGE (LPW) : 27.5
 DUTY HEAD : 50 METER



HEAD (m)	INPUT POWER (Wp)						
	3000	2400	1800	1000	850	650	500
60	169	128	79	0	0	0	0
50	196	163	114	32	0	0	0
35	226	197	156	65	28	0	0
25	250	223	191	112	75	52	0

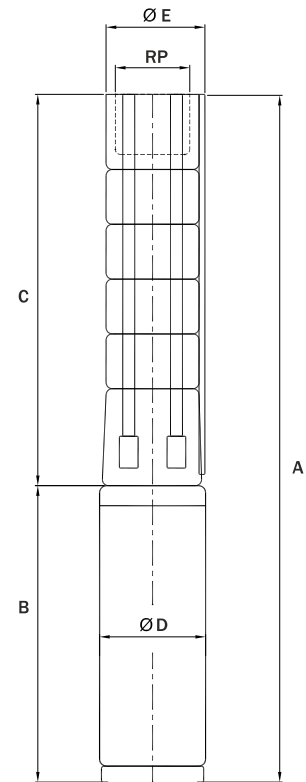
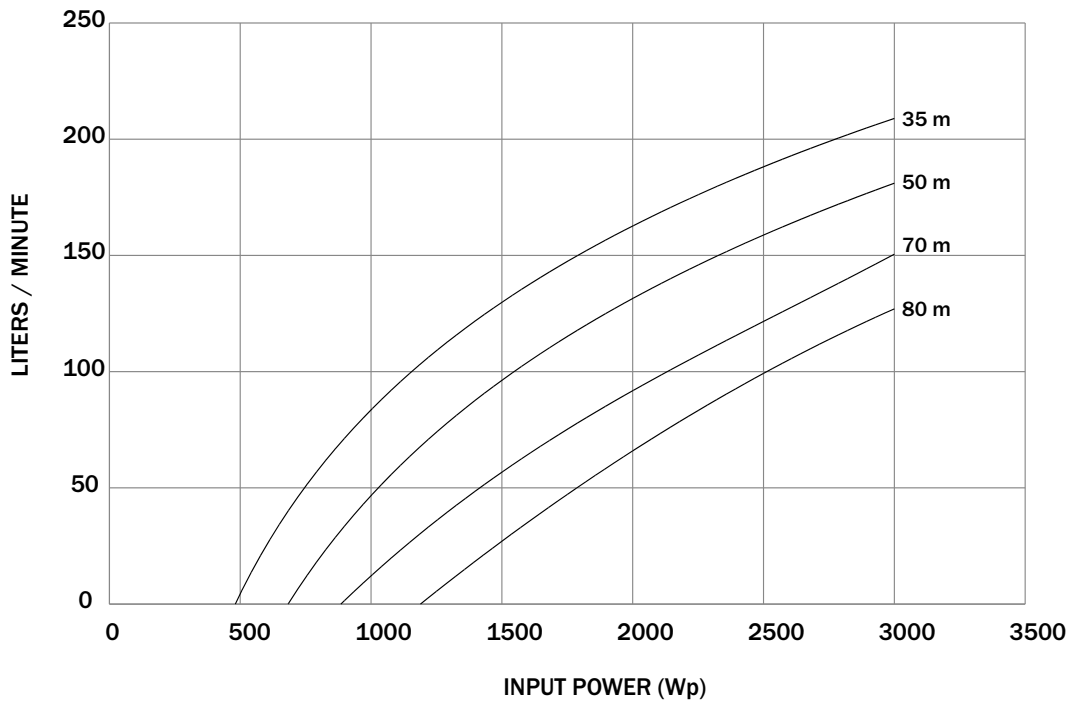


CONTROLLER CODE : 9600000088

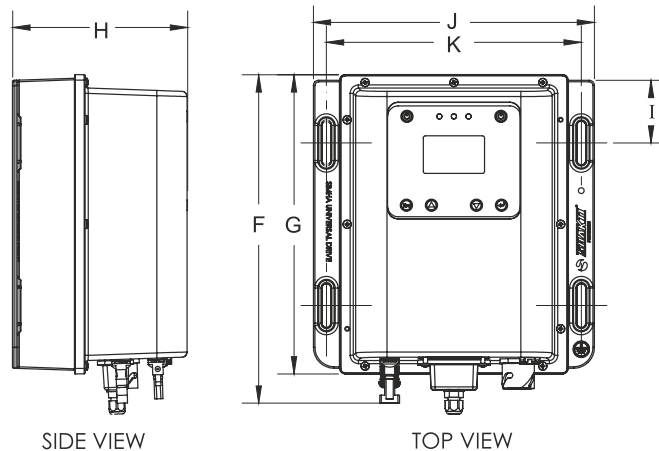
SOLAR PUMPING SYSTEM



SOLAR 8.5 DCSSP 3000
BSP 50 mm (4X4)
PUMPSET CODE : 9500000934
DISCHARGE (LPD) : 57000
DISCHARGE (LPW) : 19.0
DUTY HEAD : 70 METER



HEAD (m)	INPUT POWER (Wp)						
	3000	2400	1800	1200	900	700	500
80	128	90	54	0			
70	150	118	75	35	0		
50	181	153	119	68	38	0	
35	208	180	150	110	78	40	0



CONTROLLER CODE : 9600000088

SOLAR PUMPING SYSTEM



SOLAR 6 DCSSP 3000

BSP 40 mm (4X4)

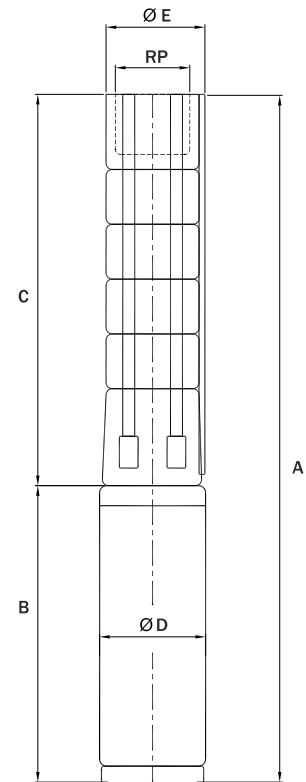
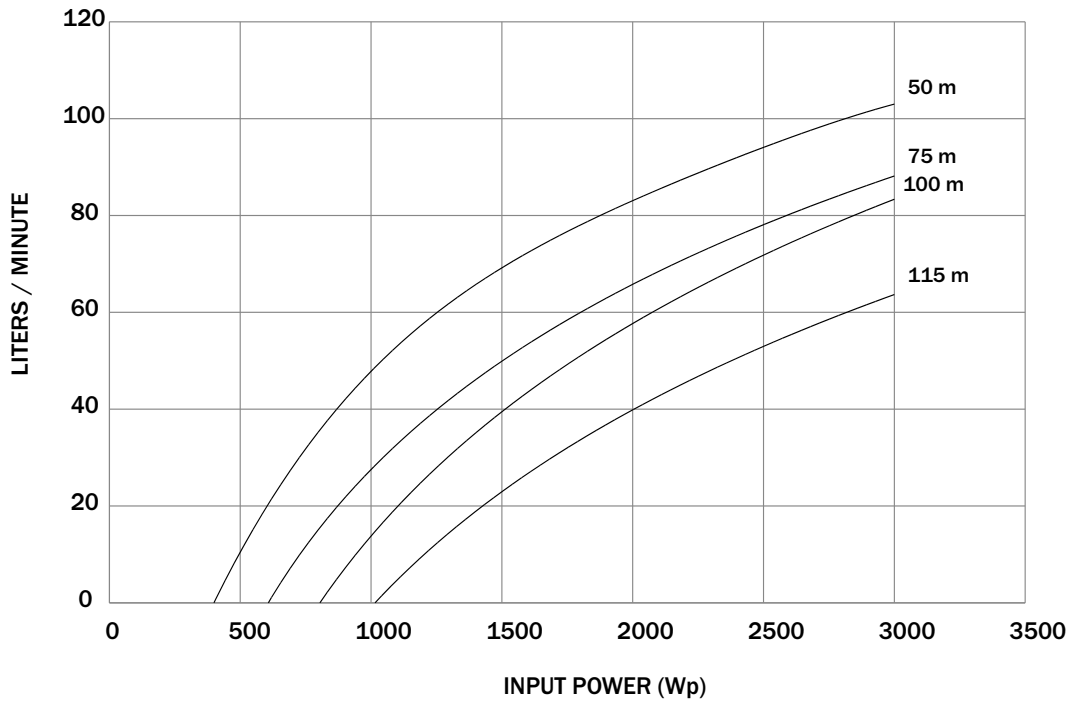
PUMPSET CODE : 9500000936

DISCHARGE (LPD) : 33000

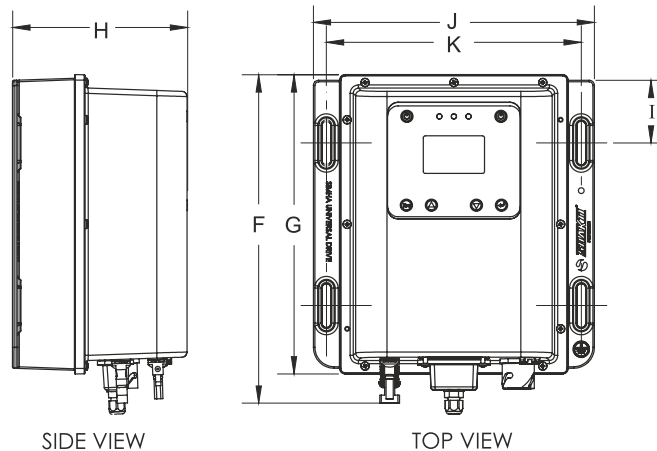
DISCHARGE (LPW) : 11.0

DUTY HEAD : 100 METER

CHOKE CODE : 9600000025



HEAD (m)	INPUT POWER (Wp)						
	3000	2400	1800	1000	800	600	400
115	65	50	32	0			
100	86	68	48	15	0		
75	89	76	59	26	16	0	
50	103	92	78	48	35	20	0



CONTROLLER CODE : 9600000088

SOLAR PUMPING SYSTEM

SOLAR 2 DCSSP 3000

BSP 32 mm (4X4)

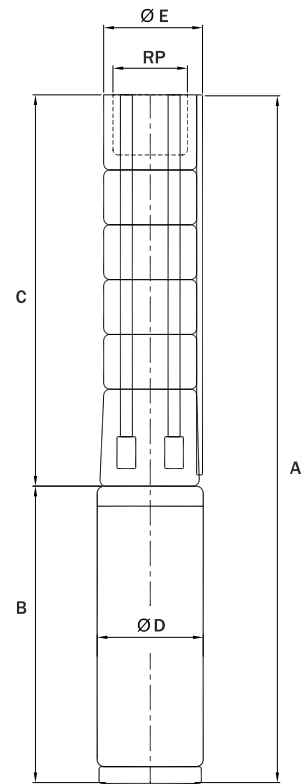
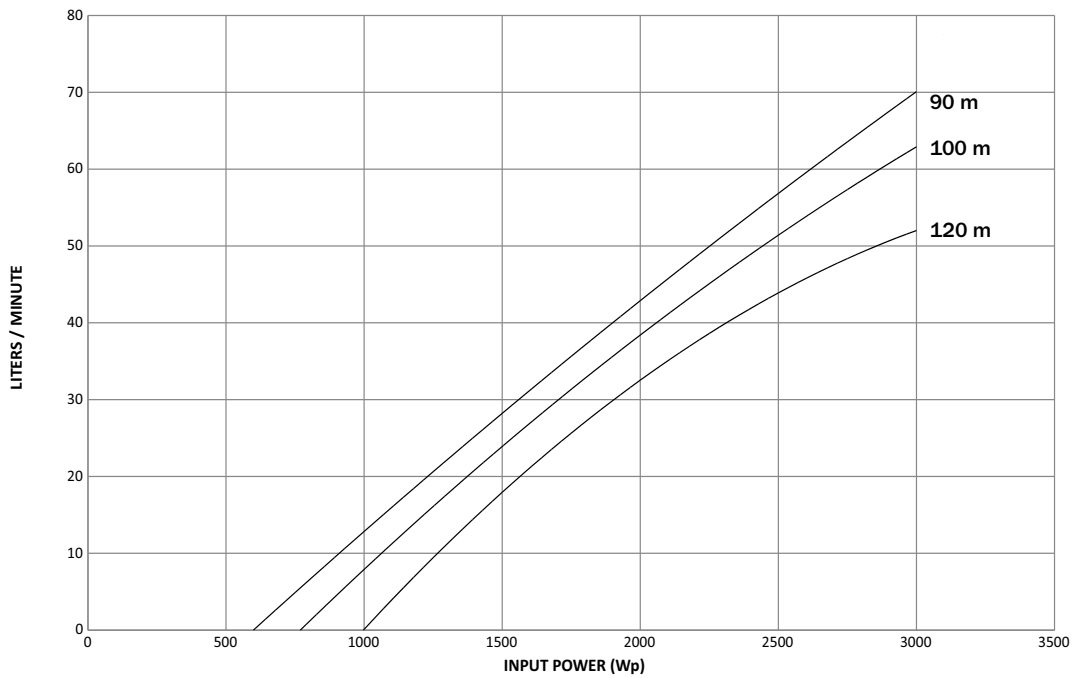
PUMPSET CODE : 9500001986

DISCHARGE (LPD) : 21000

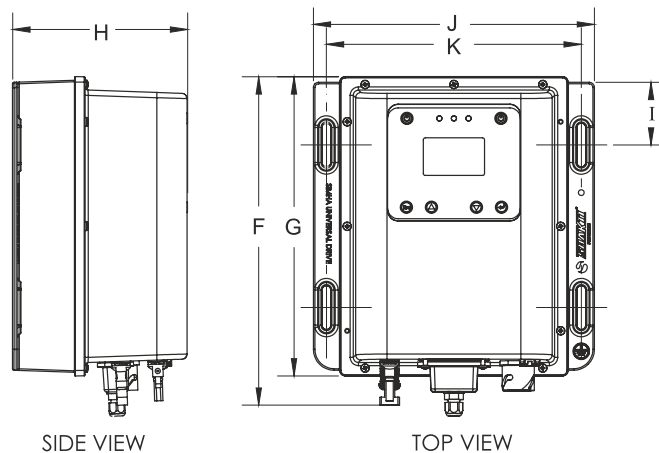
DISCHARGE (LPW) : 7.0

DUTY HEAD : 120 METER

CHOKE CODE : 9600000025



	INPUT POWER (Wp)						
	3000	2400	1850	1550	1000	800	600
HEAD (m)	FLOW IN LPM						
120	52	42	28	20	0		
100	62	50	34	24	10	0	
90	69	56	37	30	11	8	0



CONTROLLER CODE : 9600000088

SOLAR PUMPING SYSTEM



SOLAR 3 DCSSP 3000

BSP 32 mm (4X4)

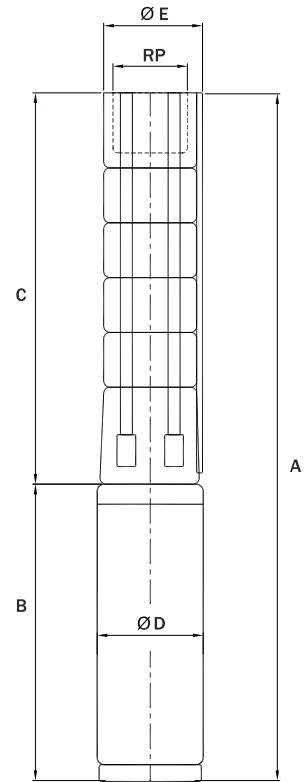
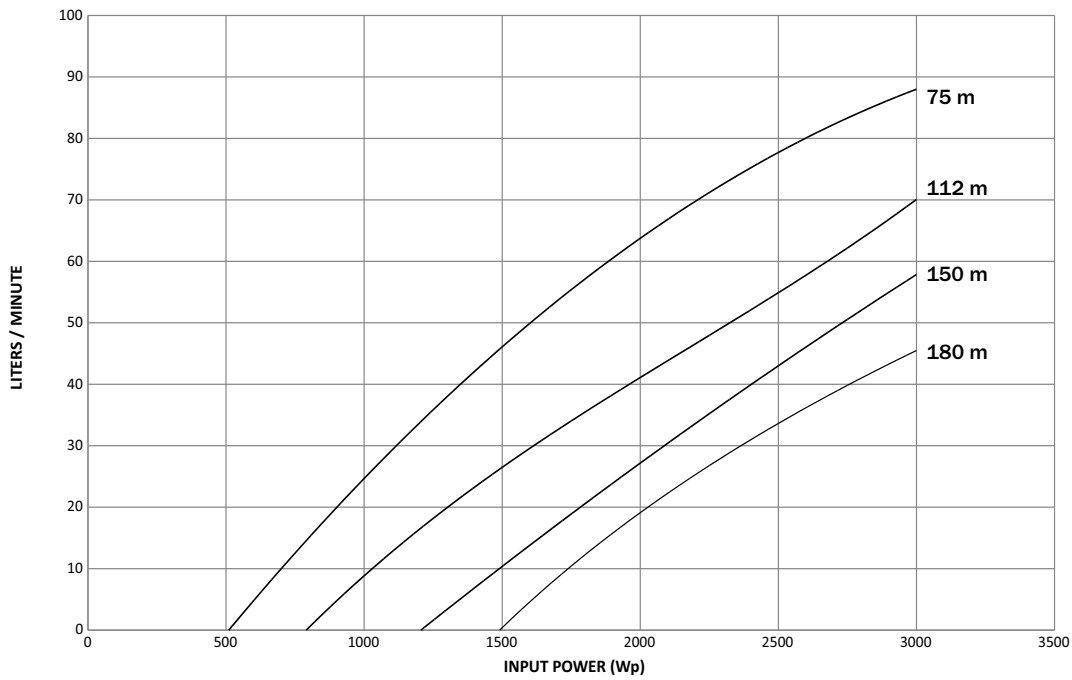
PUMPSET CODE : 9500001007

DISCHARGE (LPD) : 18000

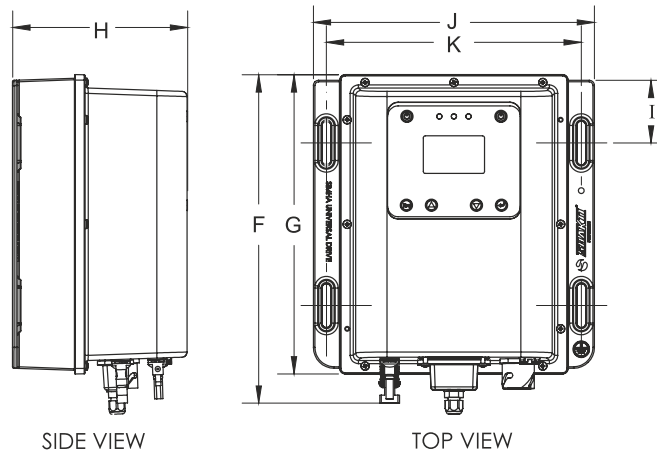
DISCHARGE (LPW) : 6

DUTY HEAD : 150 METER

CHOKE CODE : 9600000025



HEAD (m)	INPUT POWER (Wp)						
	3000	2750	2450	1500	1200	800	500
	FLOW IN LPM						
180	45	39	34	0			
150	58	50	42	10	0		
112	70	62	54	25	18	0	
75	89	82	76	50	30	15	0



CONTROLLER CODE : 9600000088

SOLAR PUMPING SYSTEM



SOLAR 73.5 DCSSP 4800

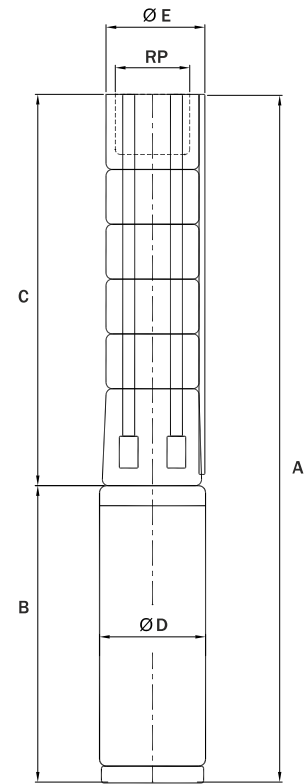
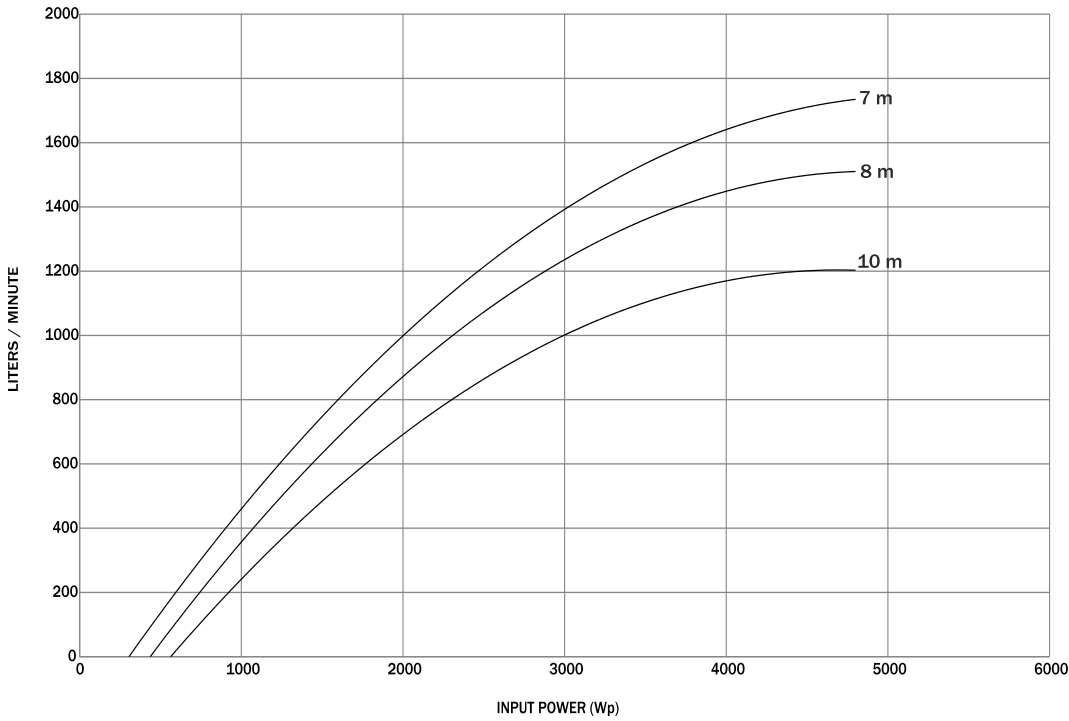
BSP 100 mm (4X6)

PUMPSET CODE : 9500000871

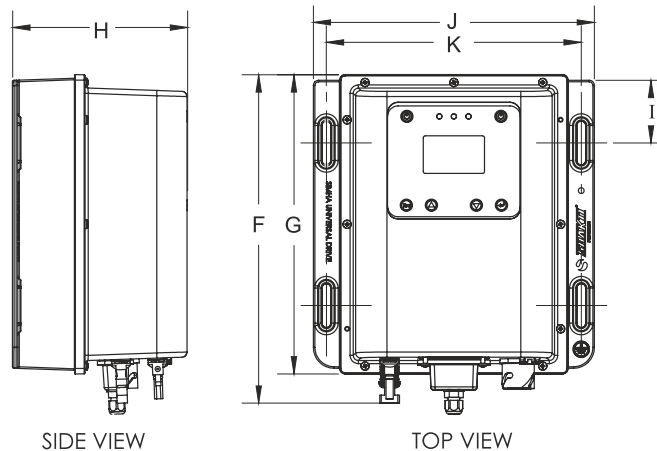
DISCHARGE (LPD) : 590400

DISCHARGE (LPW) : 123

DUTY HEAD : 10 METER



	INPUT POWER (Wp)						
	4800	3400	2150	1300	650	500	300
HEAD (m)	FLOW IN LPM						
10	1225	1026	765	460	0		
8	1531	1283	956	575	150	0	
7	1750	1466	1093	657	250	100	0

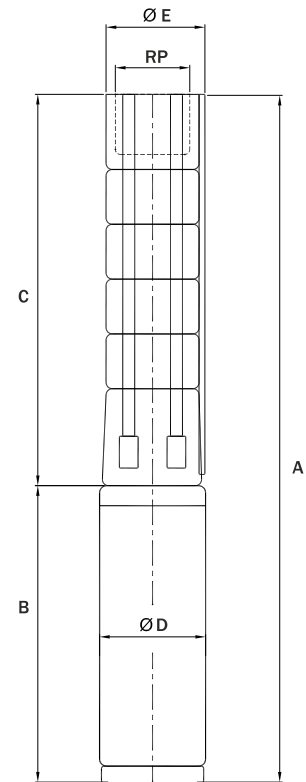
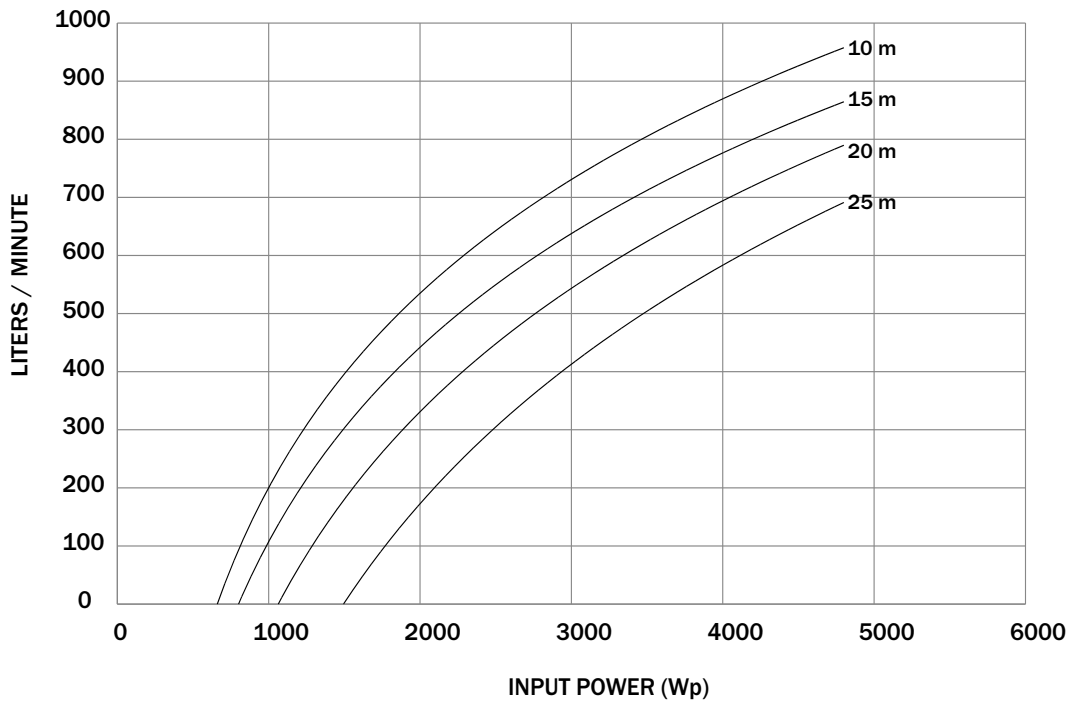


CONTROLLER CODE : 9600000088

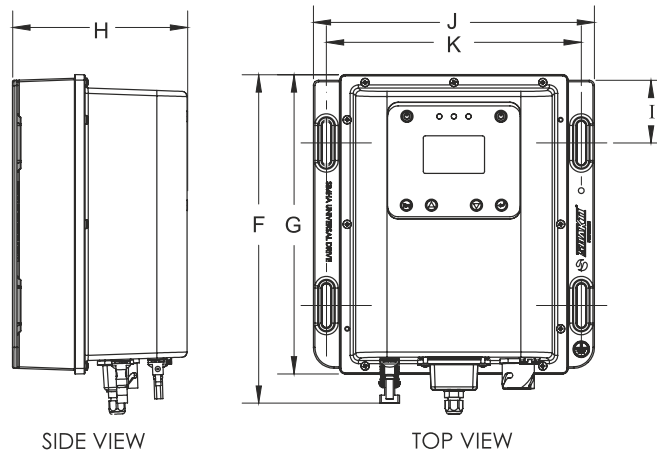
SOLAR PUMPING SYSTEM



SOLAR 45 DCSSP 4800
 BSP 75 mm (4X6)
 PUMPSET CODE : 9500000863
 DISCHARGE (LPD) : 338400
 DISCHARGE (LPW) : 70.5
 DUTY HEAD : 20 METER



HEAD (m)	INPUT POWER (Wp)						
	4800	4200	2000	1500	1100	800	700
25	688	615	175	0			
20	788	715	335	200	0		
15	860	802	450	300	150	0	
10	940	888	570	400	250	100	0

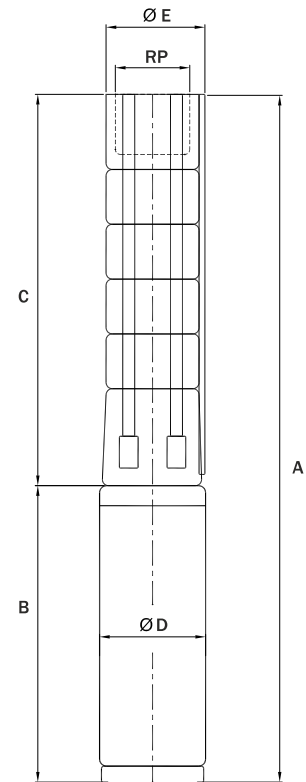
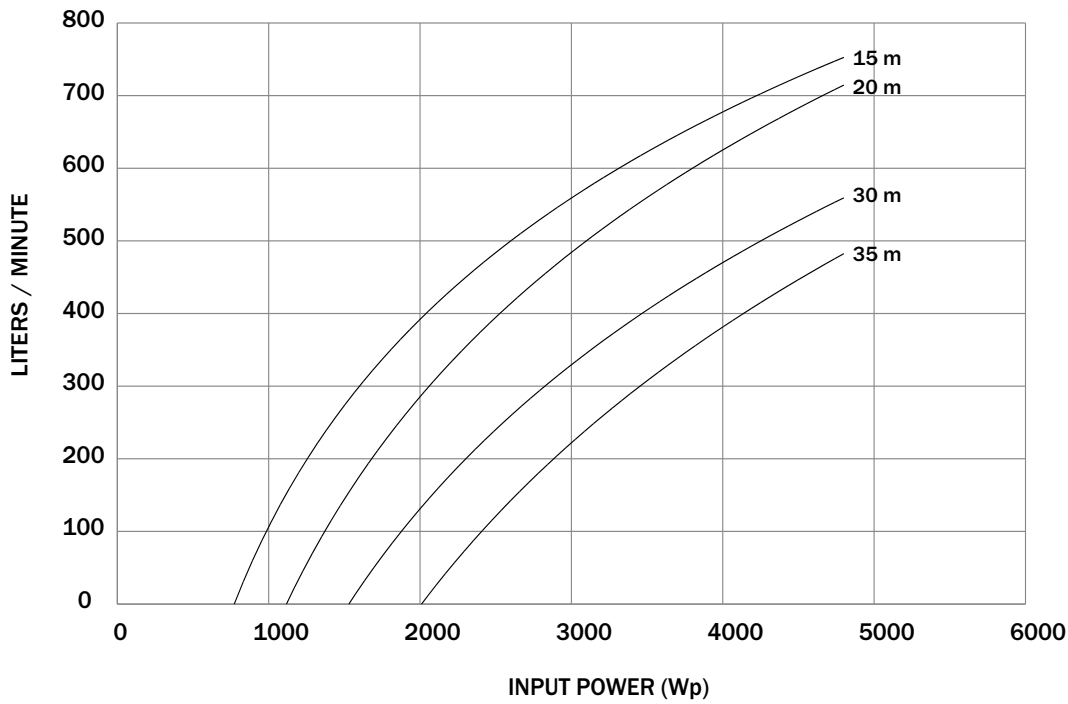


CONTROLLER CODE : 9600000088

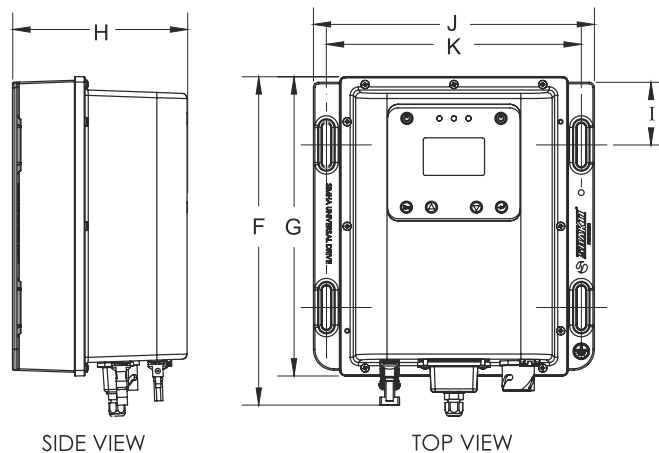
SOLAR PUMPING SYSTEM



SOLAR 35.5 DCSSP 4800
 BSP 63 mm (4X6)
 PUMPSET CODE : 9500000855
 DISCHARGE (LPD) : 213600
 DISCHARGE (LPW) : 44.5
 DUTY HEAD : 30 METER



HEAD (m)	INPUT POWER (Wp)						
	4800	4200	3000	2000	1500	1200	700
	FLOW IN LPM						
35	480	415	215	0			
30	562	498	323	121	0		
20	700	640	492	330	150	0	
15	750	710	570	415	220	150	0

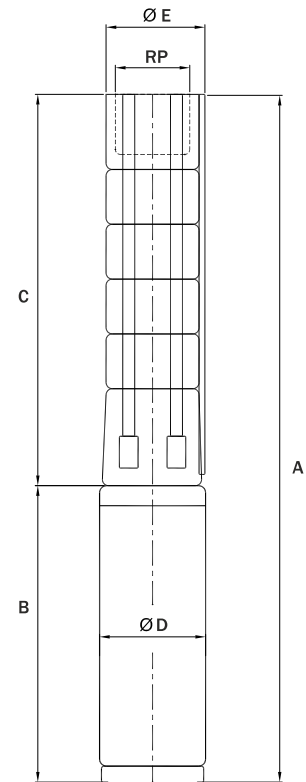
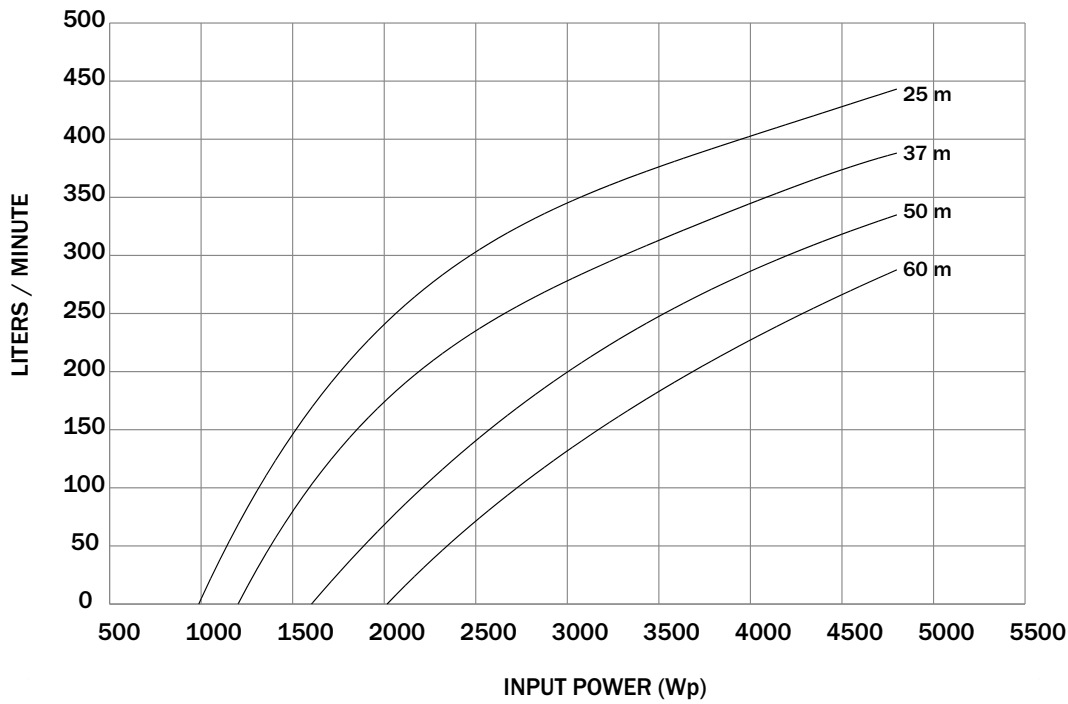


CONTROLLER CODE : 9600000088

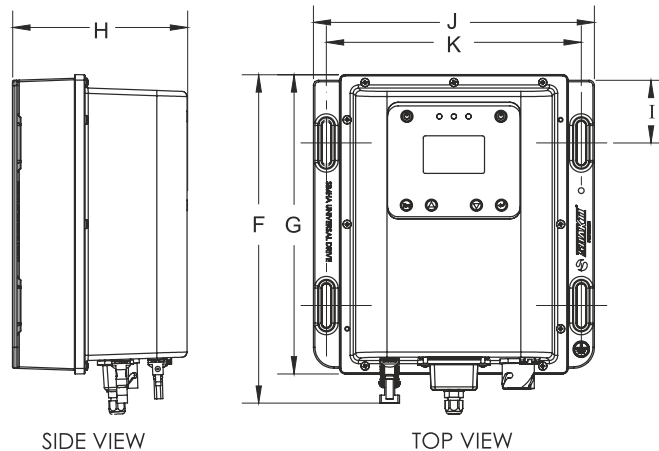
SOLAR PUMPING SYSTEM



SOLAR 19 DCSSP 4800
 BSP 63 mm (4X6)
 PUMPSET CODE : 9500000955
 DISCHARGE (LPD) : 127200
 DISCHARGE (LPW) : 26.5
 DUTY HEAD : 50 METER



HEAD (m)	INPUT POWER (Wp)						
	4800	3600	3000	2000	1600	1200	1000
60	288	197	124	0	0	0	0
50	335	255	201	67	100	0	0
37	388	320	277	176	150	80	0
25	443	384	340	254	150	80	0

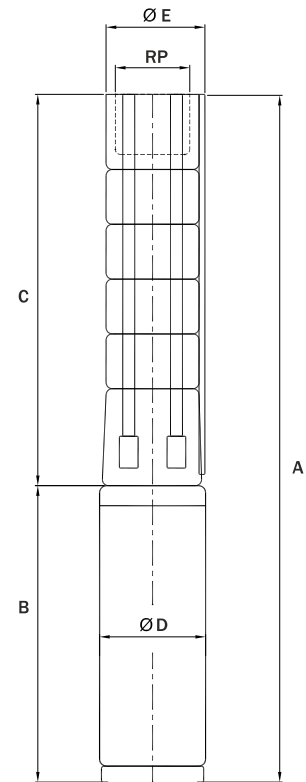
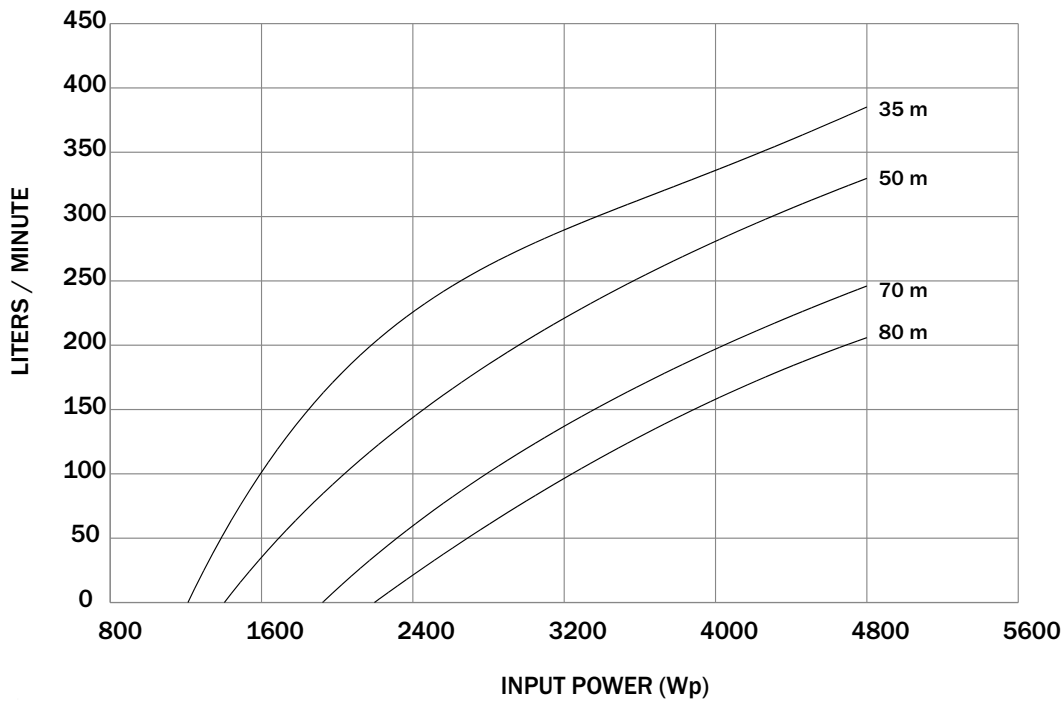


CONTROLLER CODE : 9600000088

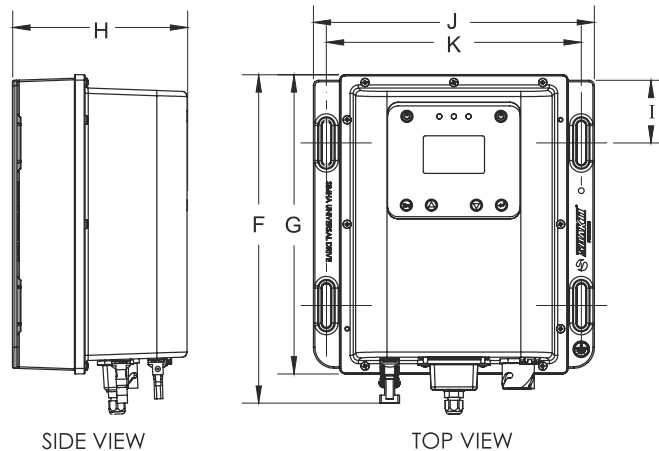
SOLAR PUMPING SYSTEM



SOLAR 15 DCSSP 4800
 BSP 50 mm (4X6)
 PUMPSET CODE : 9500000957
 DISCHARGE (LPD) : 86400
 DISCHARGE (LPW) : 18.0
 DUTY HEAD : 70 METER



HEAD (m)	INPUT POWER (Wp)						
	4800	3600	3000	2200	2000	1500	1200
	FLOW IN LPM						
80	206	128	80	0			
70	247	166	118	50	0		
50	322	250	209	130	108	0	
35	385	315	273	200	184	70	0



CONTROLLER CODE : 9600000088

SOLAR PUMPING SYSTEM



SOLAR 9.5 DCSSP 4800

BSP 50 mm (4X4)

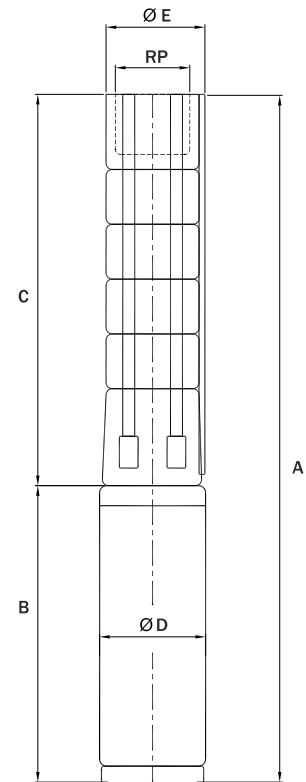
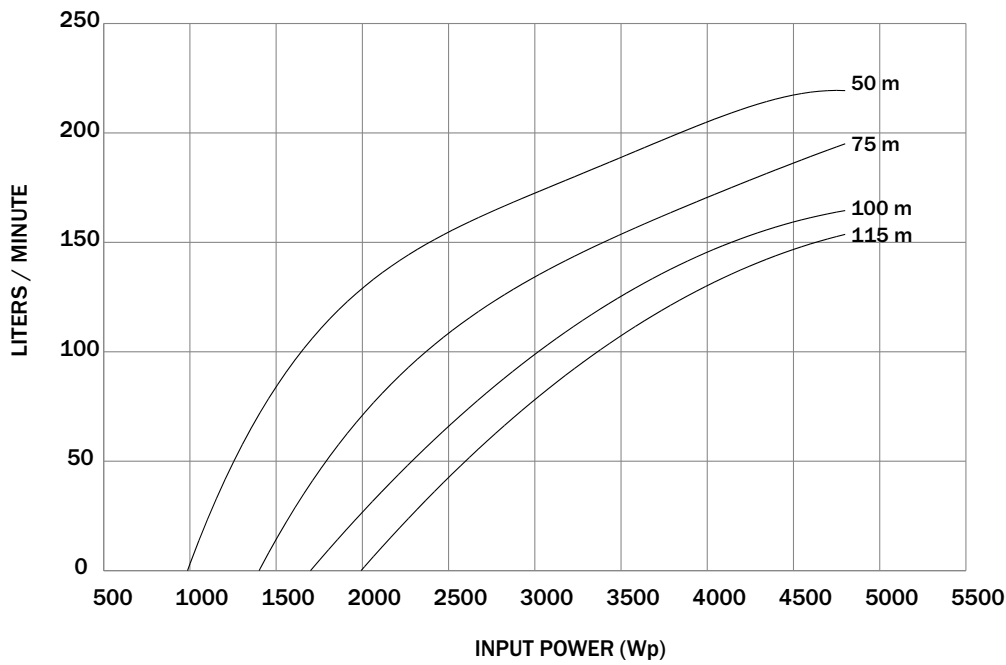
PUMPSET CODE : 9500000938

DISCHARGE (LPD) : 64800

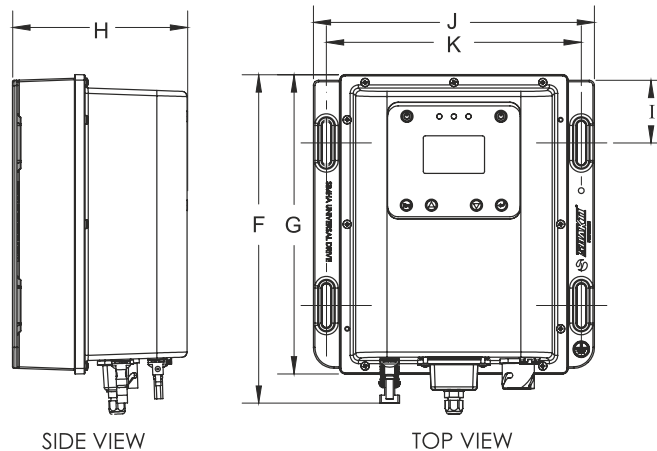
DISCHARGE (LPW) : 13.5

DUTY HEAD : 100 METER

CHOKE CODE : 9600000025



HEAD (m)	INPUT POWER (Wp)						
	4800	4200	3000	2000	1800	1400	1000
	FLOW IN LPM						
115	155	135	80	0			
100	168	146	100	37	0		
75	195	177	134	72	50	0	
50	220	209	176	125	110	80	0



CONTROLLER CODE : 9600000088

SOLAR PUMPING SYSTEM



SOLAR 6 DCSSP 4800

BSP 40 mm (4X4)

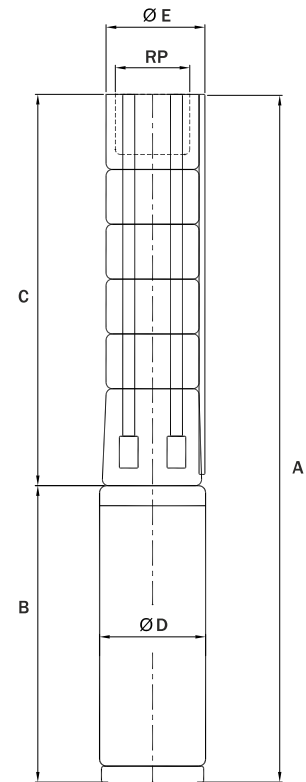
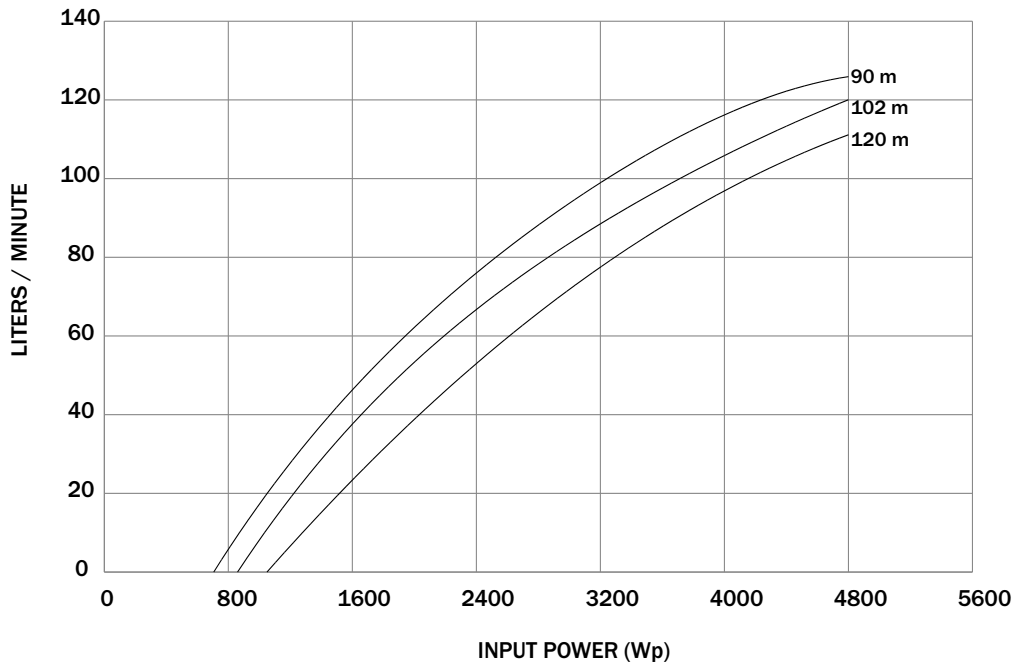
PUMPSET CODE : 9500000983

DISCHARGE (LPD) : 48000

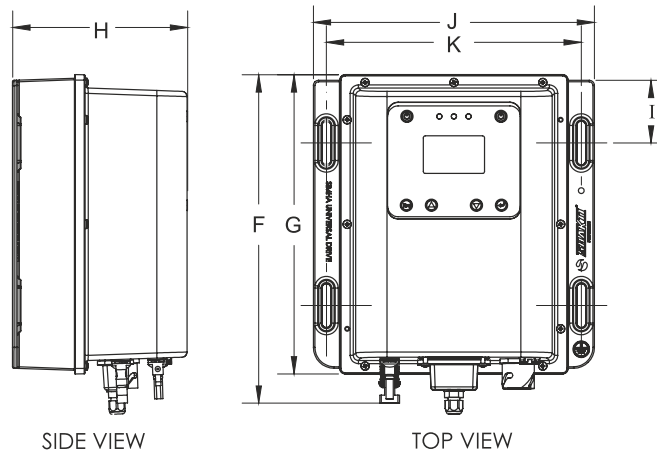
DISCHARGE (LPW) : 10.0

DUTY HEAD : 120 METER

CHOKE CODE : 9600000025



	INPUT POWER (Wp)						
	4800	3850	2600	2050	1050	850	750
HEAD (m)	FLOW IN LPM						
120	111	94	59	41	0		
102	120	103	72	56	10	0	
90	126	113	84	62	20	12	0



CONTROLLER CODE : 9600000088

SOLAR PUMPING SYSTEM



SOLAR 5 DCSSP 4800

BSP 40 mm (4X4)

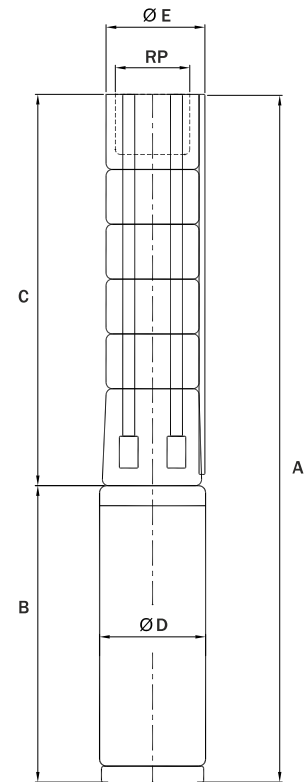
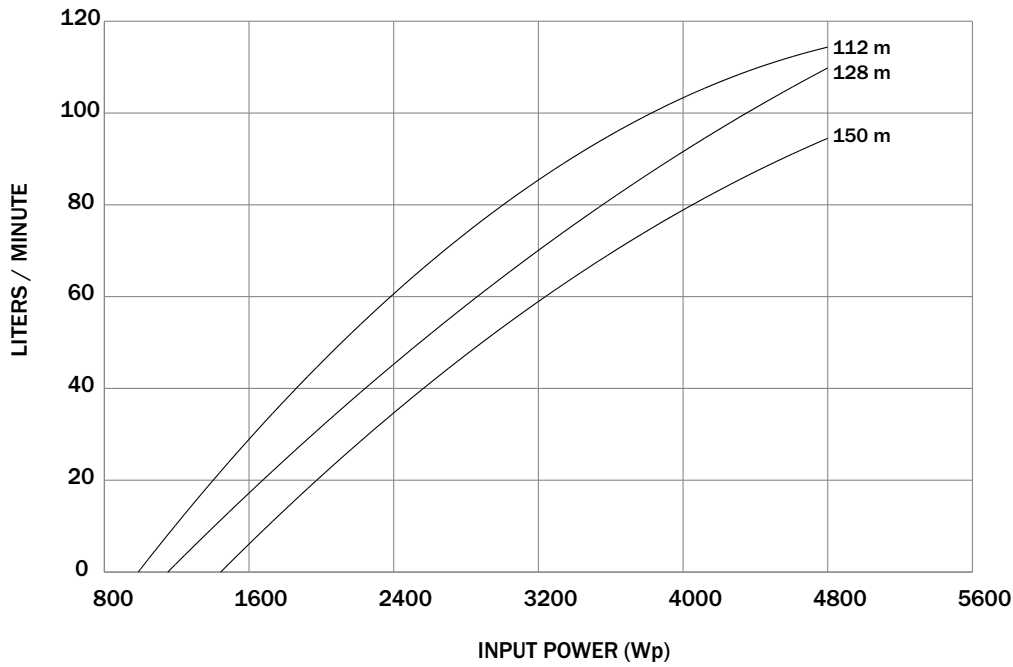
PUMPSET CODE : 9500000980

DISCHARGE (LPD) : 33600

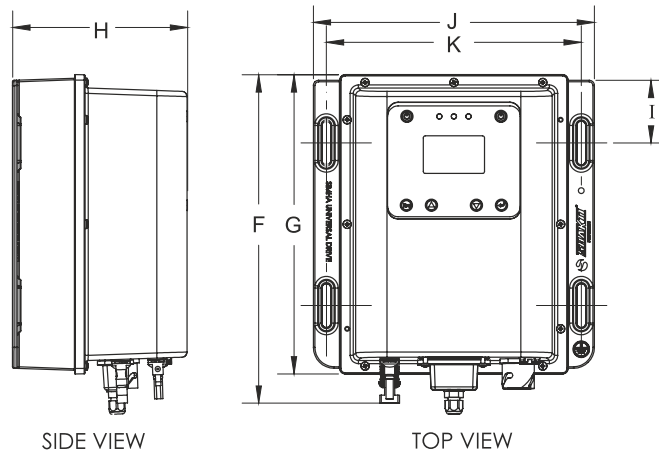
DISCHARGE (LPW) : 7.0

DUTY HEAD : 150 METER

CHOKE CODE : 9600000025



	INPUT POWER (Wp)						
	4800	3900	3350	2400	1450	1200	1000
HEAD (m)	FLOW IN LPM						
150	95	75	64	35	0		
128	110	89	74	45	14	0	
112	114	103	88	60	24	10	0



CONTROLLER CODE : 9600000088

SOLAR PUMPING SYSTEM



SOLAR 4.5 DCSSP 4800

BSP 40 mm (4X4)

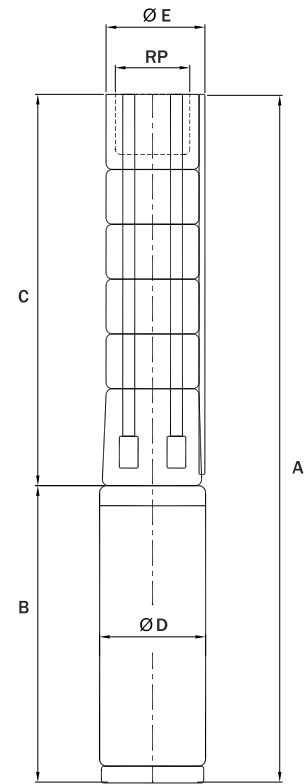
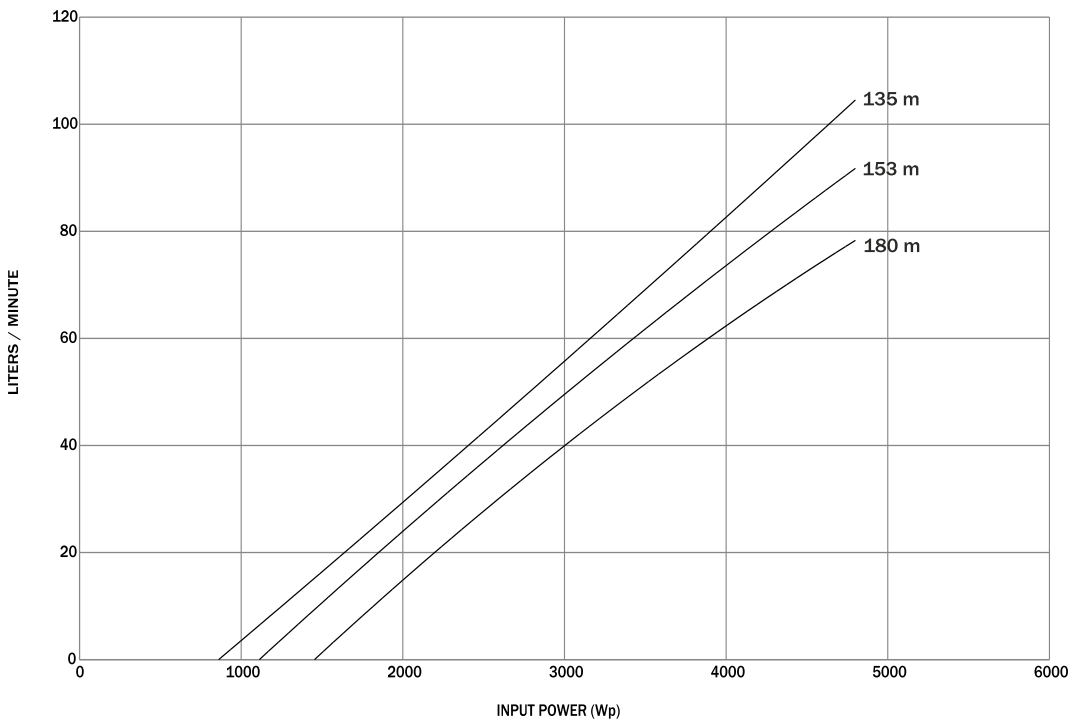
PUMPSET CODE : 9500001768

DISCHARGE (LPD) : 28800

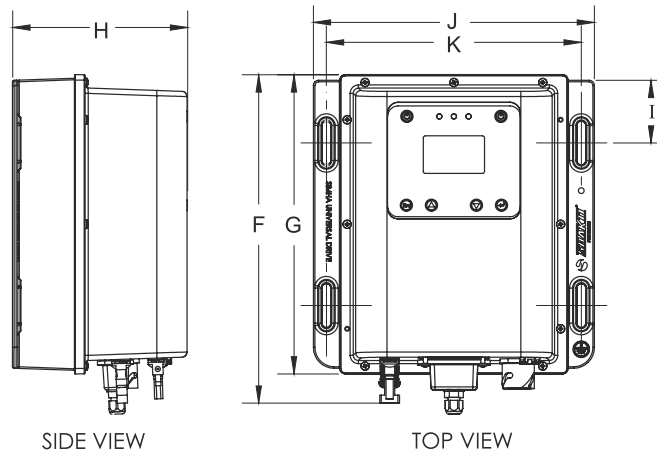
DISCHARGE (LPW) : 6

DUTY HEAD : 180 METER

CHOKE CODE : 9600000025



	INPUT POWER (Wp)						
	4800	4300	3350	2400	1450	1200	900
HEAD (m)	FLOW IN LPM						
180	78	69	48	25	0		
153	92	81	56	35	12	0	
135	104	92	64	40	15	10	0



CONTROLLER CODE : 9600000088

SOLAR PUMPING SYSTEM



SOLAR 3 DCSSP 4800

BSP 32 mm (4X4)

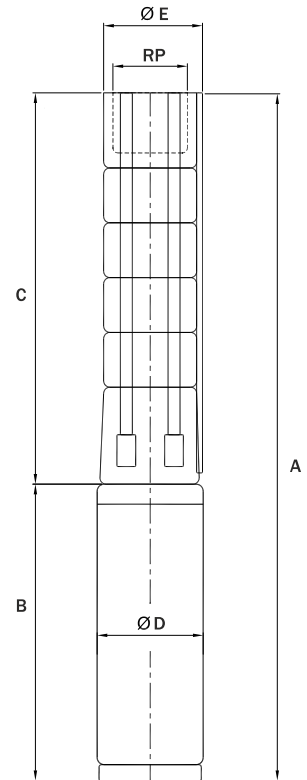
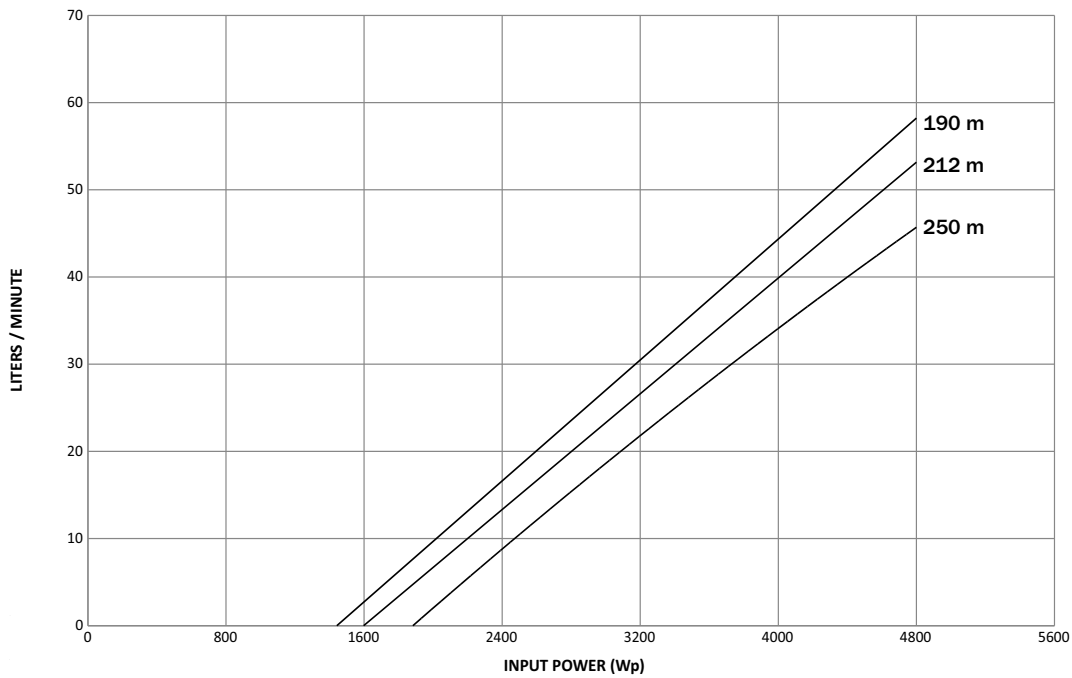
PUMPSET CODE : 9500001990

DISCHARGE (LPD) : 16800

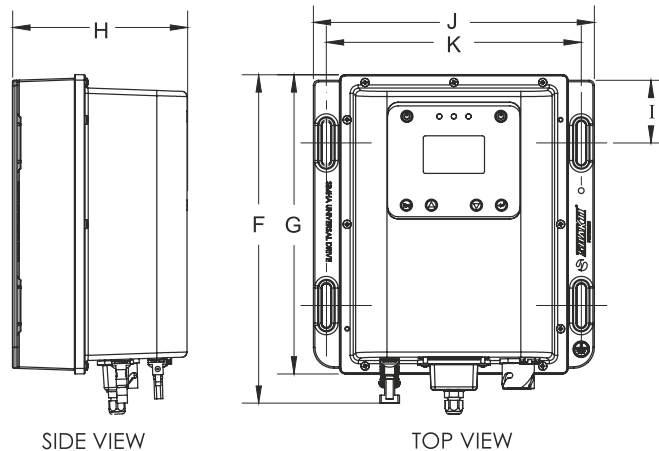
DISCHARGE (LPW) : 3.5

DUTY HEAD : 250 METER

CHOKE CODE : 9600000025



	INPUT POWER (Wp)						
	4800	3850	3350	2900	1900	1600	1400
HEAD (m)	FLOW IN LPM						
250	46	31	24	18	0		
212	54	37	28	21	6	0	
190	61	41	32	24	7	5	0

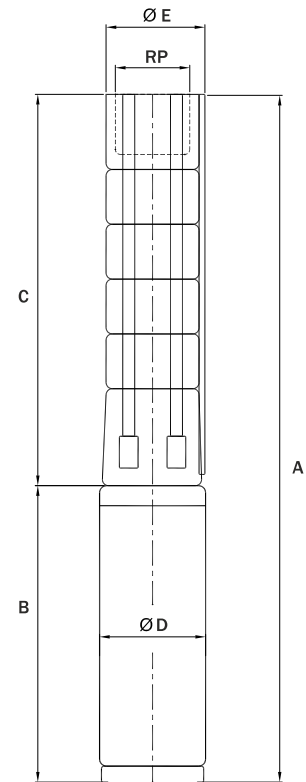
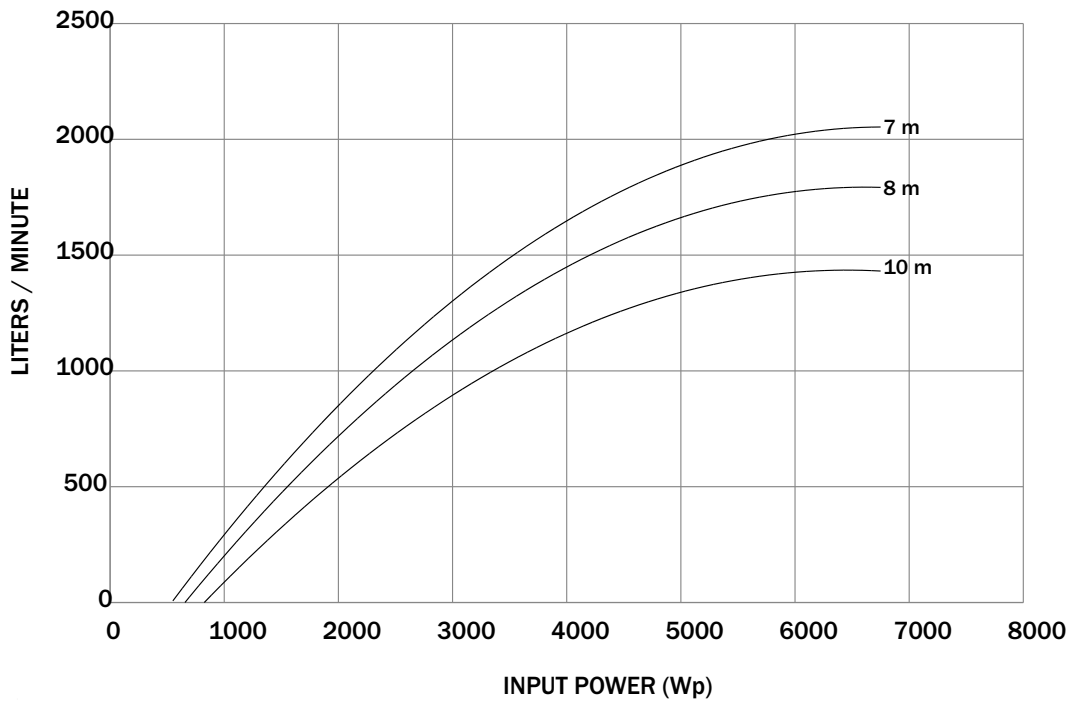


CONTROLLER CODE : 9600000088

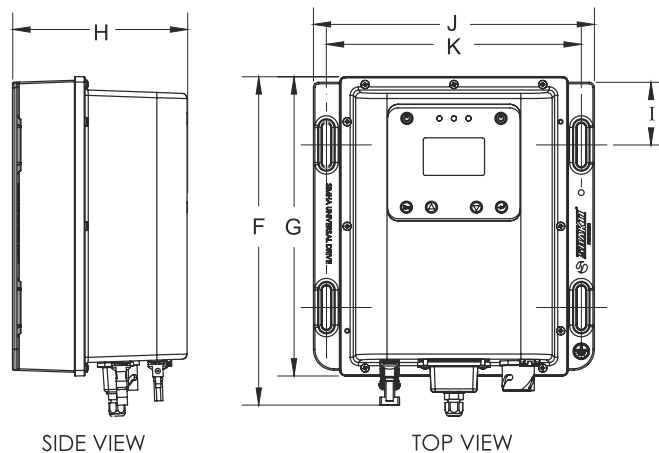
SOLAR PUMPING SYSTEM



SOLAR 120 DCSSP 6750
 BSP 100 mm (6X6)
 PUMPSET CODE : 9500000884
 DISCHARGE (LPD) : 816750
 DISCHARGE (LPW) : 121.0
 DUTY HEAD : 10 METER



	INPUT POWER (Wp)						
	6750	4750	3400	1350	1000	800	600
HEAD (m)	FLOW IN LPM						
10	1450	1245	1045	350	0		
8	1813	1556	1306	438	250	0	
7	2071	1779	1493	500	350	150	0

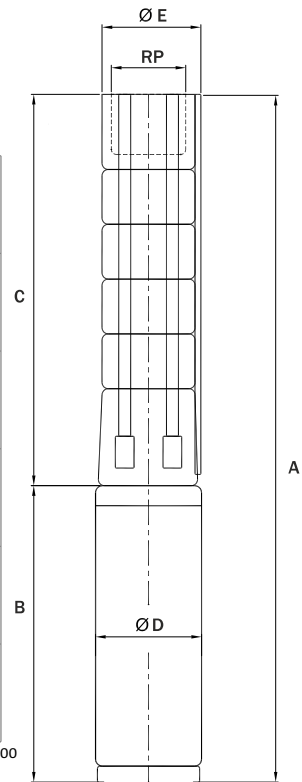
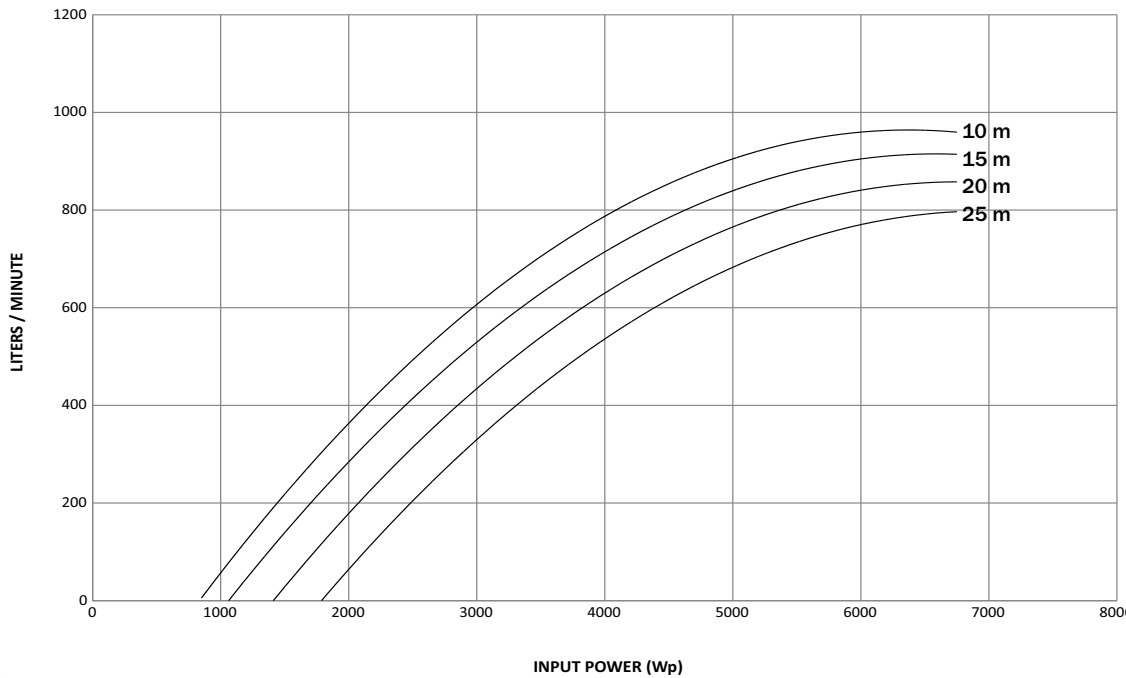


CONTROLLER CODE : 9600000094

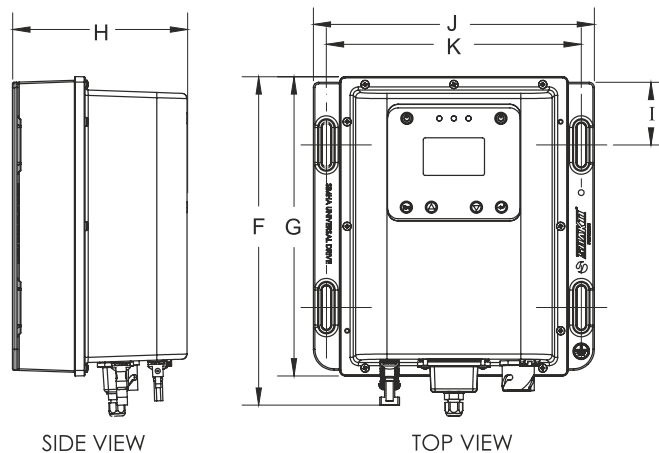
SOLAR PUMPING SYSTEM



SOLAR 66 DCSSP 6750
 BSP 75 mm (6X6)
 PUMPSET CODE : 9500000628
 DISCHARGE (LPD) : 442125
 DISCHARGE (LPW) : 65.5
 DUTY HEAD : 20 METER



HEAD (m)	INPUT POWER (Wp)						
	6750	5000	4000	1800	1500	1200	1000
	FLOW IN LPM						
25	802	660	557	0			
20	865	741	645	150	0		
15	925	810	725	250	170	0	
10	975	868	793	330	260	130	0

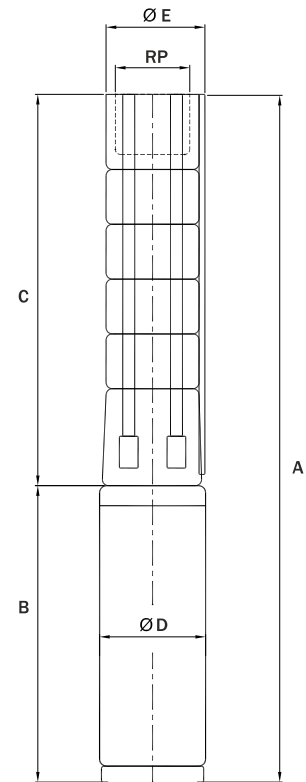
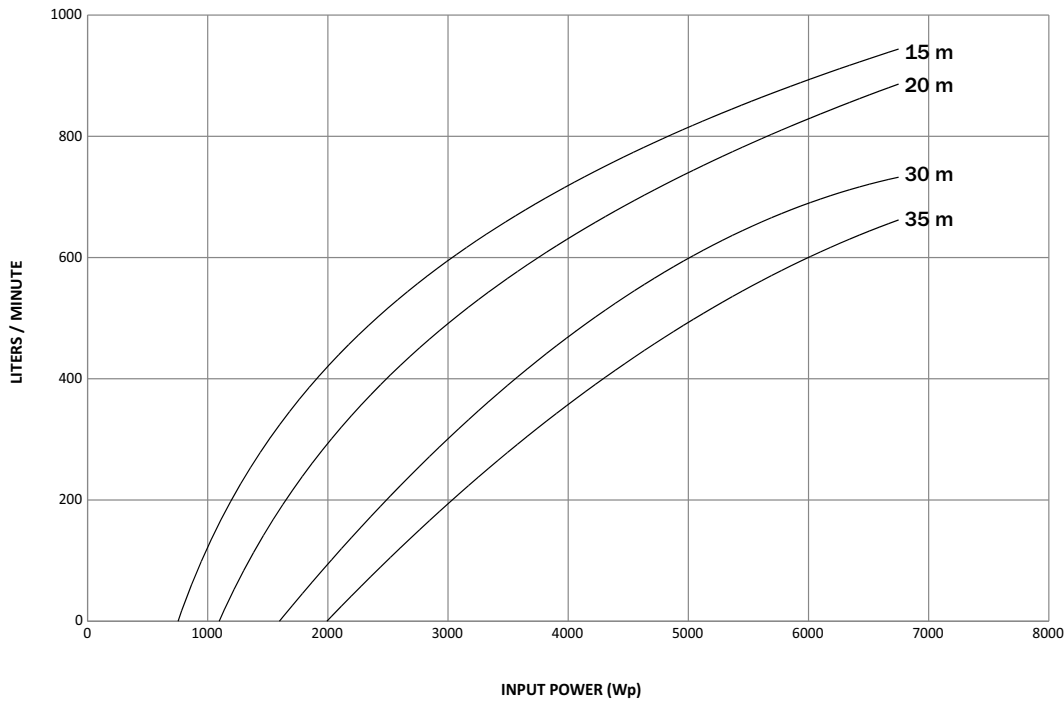


CONTROLLER CODE : 9600000094

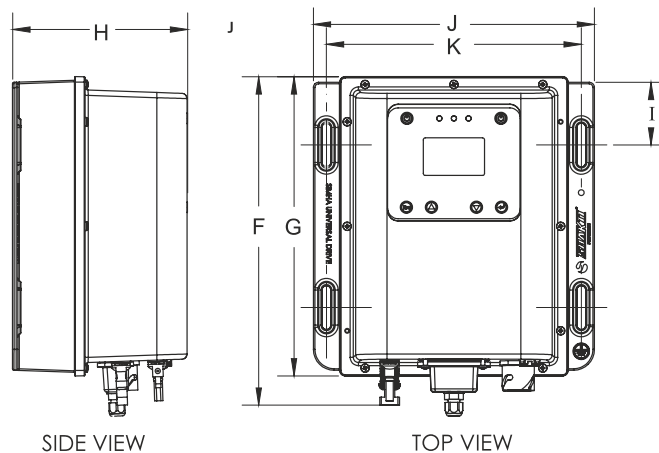
SOLAR PUMPING SYSTEM



SOLAR 42.5 DCSSP 6750
BSP 75 mm (6X6)
PUMPSET CODE : 9500000620
DISCHARGE (LPD) : 307125
DISCHARGE (LPW) : 45.5
DUTY HEAD : 30 METER



HEAD (m)	INPUT POWER (Wp)						
	6750	5000	4000	2000	1600	1200	800
35	664	484	366	0			
30	734	592	475	94	0		
20	865	738	643	334	200	0	
15	925	810	725	459	330	200	0

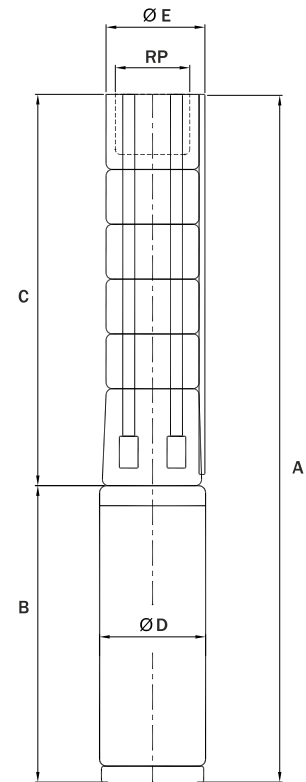
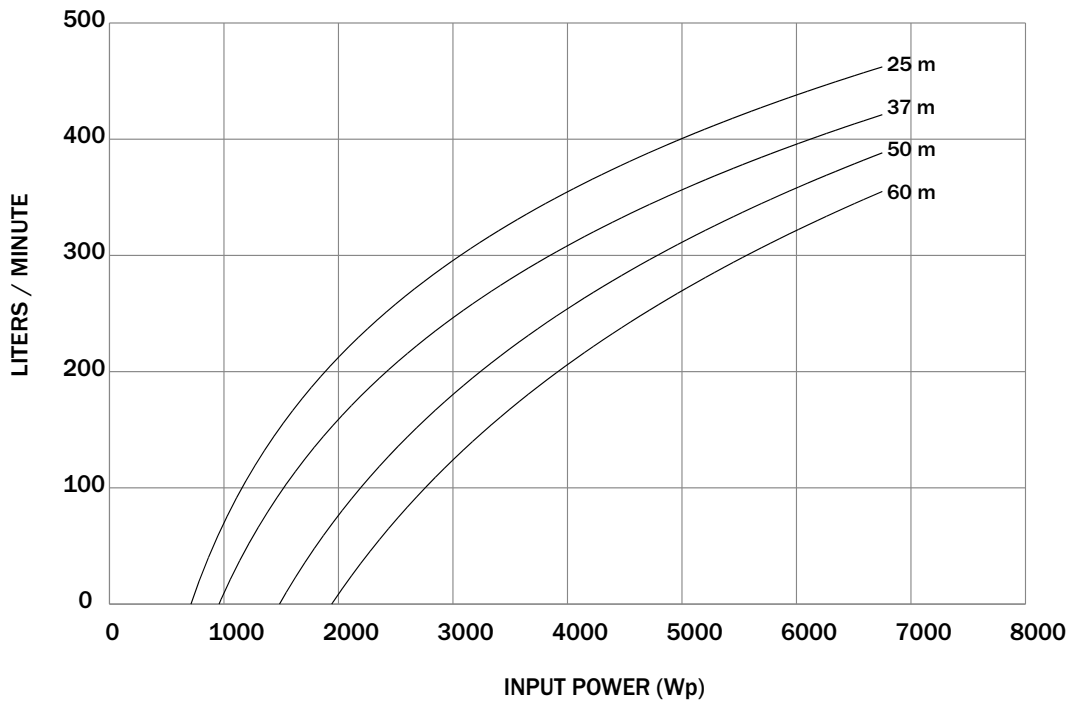


CONTROLLER CODE : 9600000094

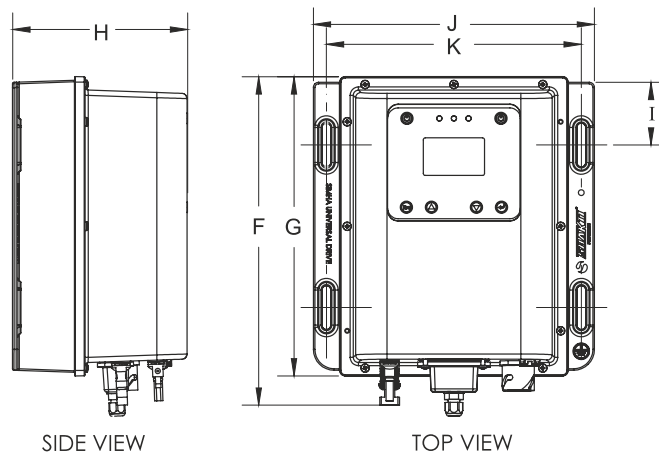
SOLAR PUMPING SYSTEM



SOLAR 26 DCSSP 6750
 BSP 63 mm (6X6)
 PUMPSET CODE : 9500001423
 DISCHARGE (LPD) : 182200
 DISCHARGE (LPW) : 27.0
 DUTY HEAD : 50 METER



HEAD (m)	INPUT POWER (Wp)						
	6750	5000	4000	2000	1600	1000	800
	FLOW IN LPM						
60	341	276	222	0			
50	380	310	264	95	0		
37	416	352	310	187	100	0	
25	453	397	355	235	170	80	0



CONTROLLER CODE : 9600000094

SOLAR PUMPING SYSTEM



SOLAR 20 DCSSP 6750

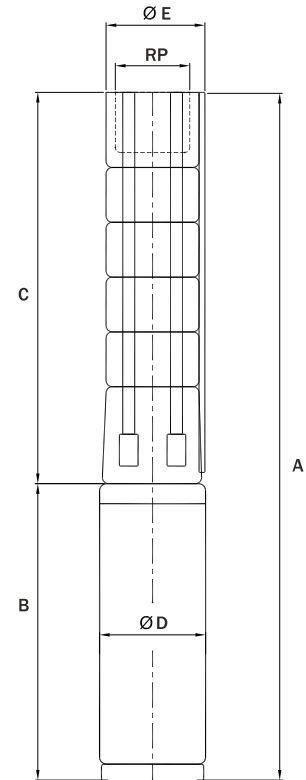
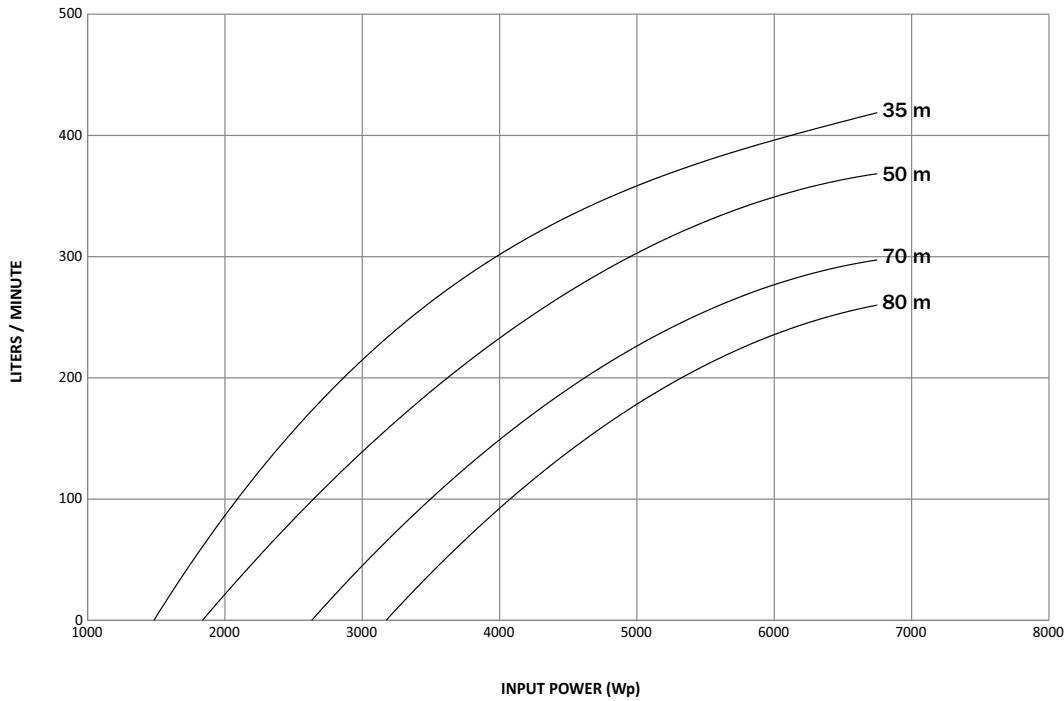
BSP 63 mm (6X6)

PUMPSET CODE : 9500001424

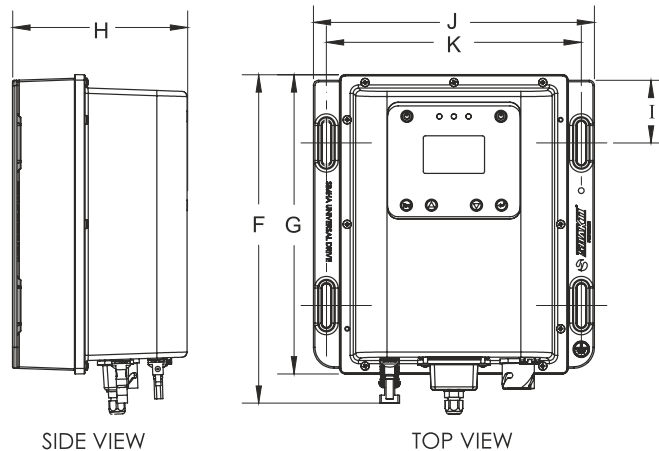
DISCHARGE (LPD) : 118125

DISCHARGE (LPW) : 17.5

DUTY HEAD : 70 METER



HEAD (m)	INPUT POWER (Wp)						
	6750	5000	4000	3200	2700	1800	1500
	FLOW IN LPM						
80	261	173	100	0			
70	299	220	150	80	0		
50	368	299	248	150	100	0	
35	419	356	308	230	180	60	0



CONTROLLER CODE : 9600000094

SOLAR PUMPING SYSTEM



SOLAR 15 DCSSP 6750

BSP 50 mm (6X4)

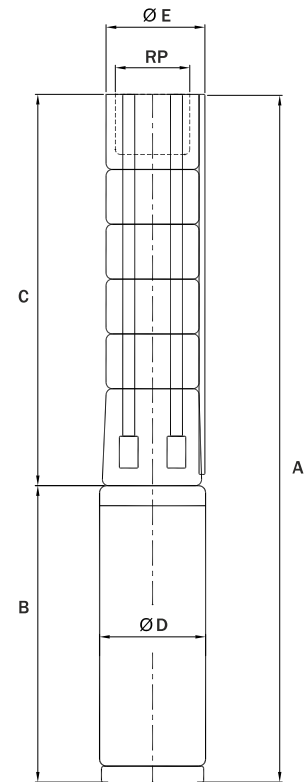
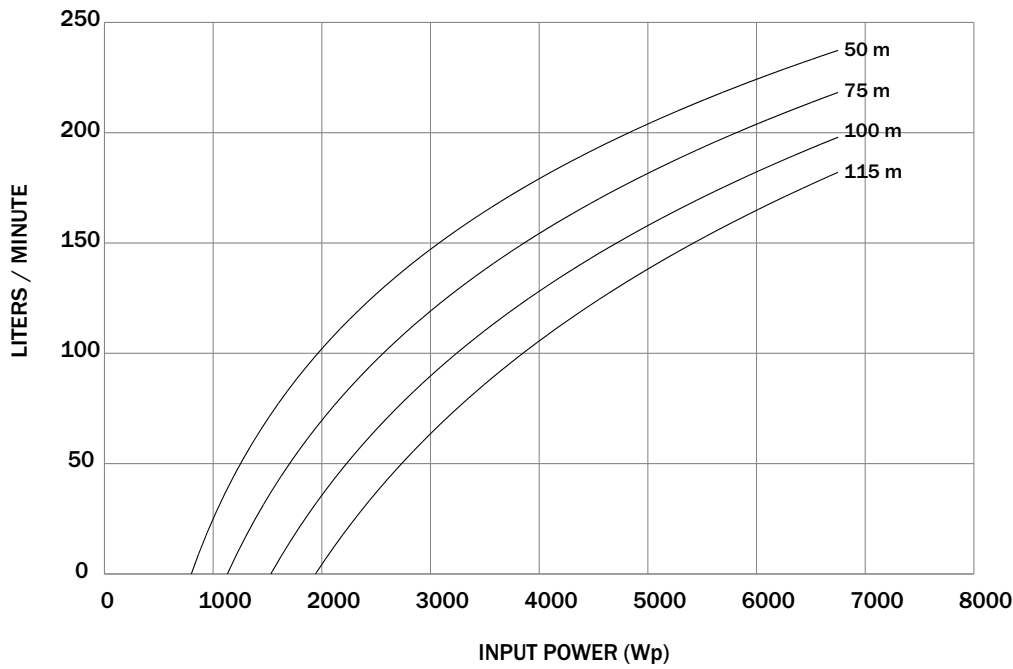
PUMPSET CODE : 9500001459

DISCHARGE (LPD) : 87750

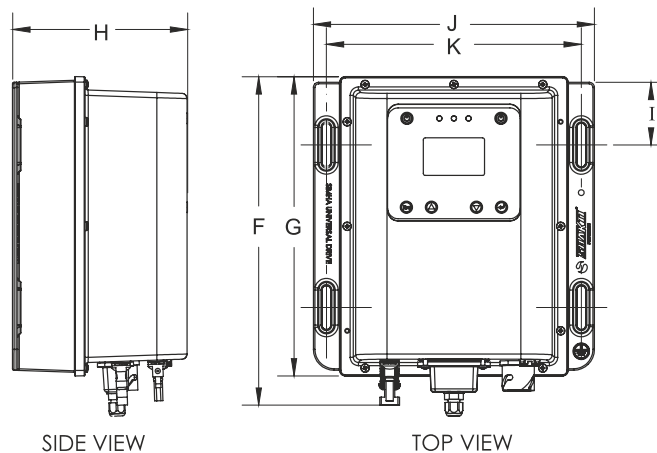
DISCHARGE (LPW) : 13.0

DUTY HEAD : 100 METER

CHOKE CODE : 9600000025



HEAD (m)	INPUT POWER (Wp)						
	6750	5000	3000	2000	1600	1200	800
115	180	138	70	0			
100	195	158	95	39	0		
75	216	182	120	70	50	0	
50	236	207	145	100	80	45	0



CONTROLLER CODE : 9600000094

SOLAR PUMPING SYSTEM



SOLAR 11 DCSSP 6750

BSP 50 mm (6X4)

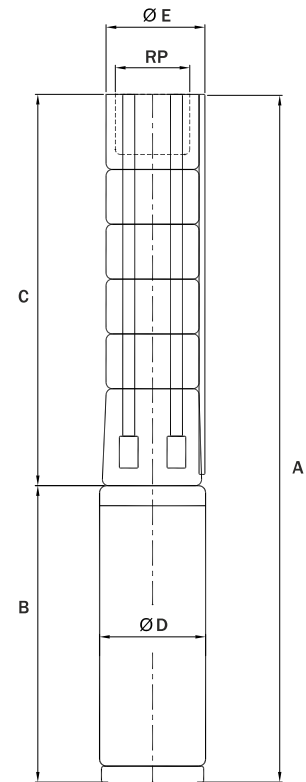
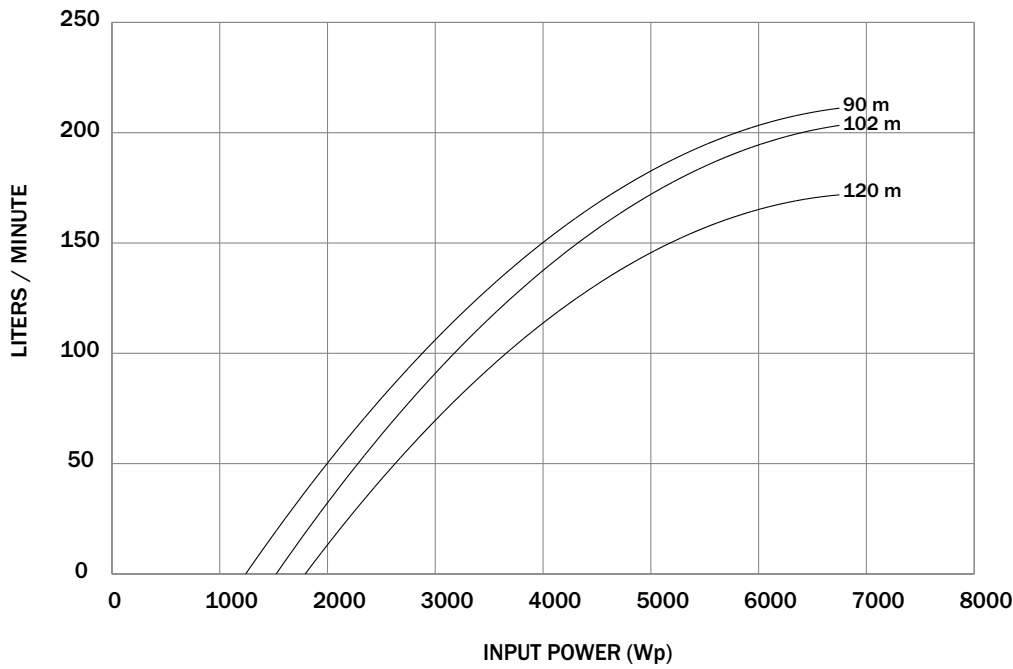
PUMPSET CODE : 9500000823

DISCHARGE (LPD) : 70875

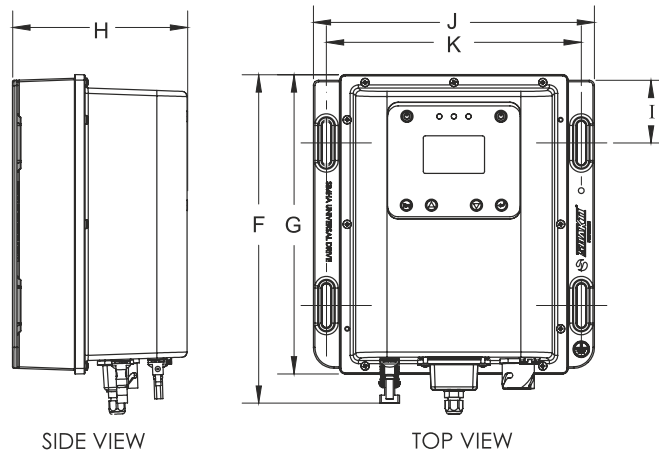
DISCHARGE (LPW) : 10.5

DUTY HEAD : 120 METER

CHOKE CODE : 9600000025



	INPUT POWER (Wp)						
	6750	5450	4100	2700	1900	1500	1200
HEAD (m)	FLOW IN LPM						
120	175	150	116	65	0		
102	205	180	142	80	20	0	
90	210	195	155	90	40	18	0



CONTROLLER CODE : 9600000094

SOLAR PUMPING SYSTEM



SOLAR 10 DCSSP 6750

BSP 50 mm (6X4)

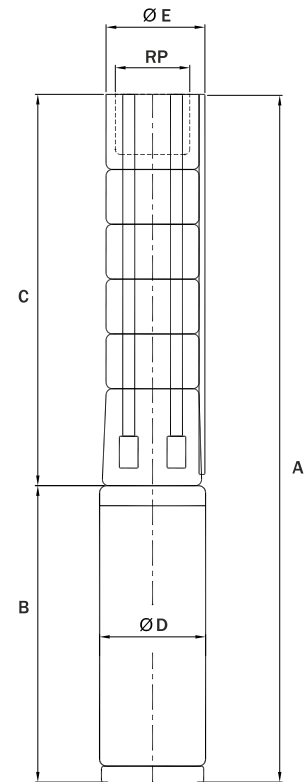
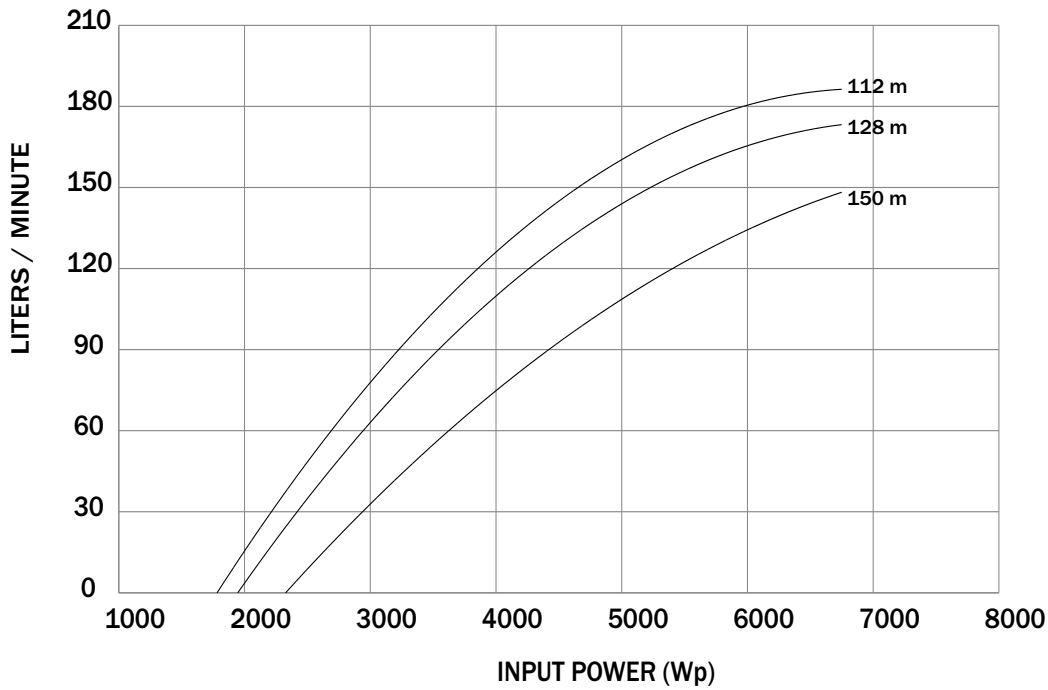
PUMPSET CODE : 9500000834

DISCHARGE (LPD) : 54000

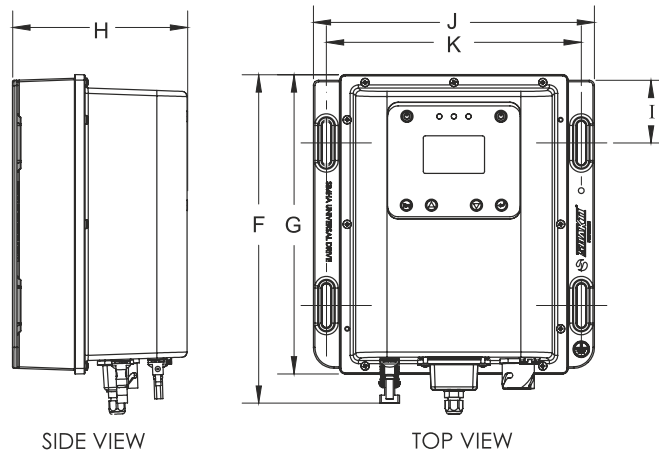
DISCHARGE (LPW) : 8.0

DUTY HEAD : 150 METER

CHOKE CODE : 9600000025



	INPUT POWER (Wp)						
	6750	5400	4100	2700	2400	2000	1800
HEAD (m)	FLOW IN LPM						
150	150	115	82	22	0		
128	175	150	115	50	30	0	
112	188	165	135	60	40	18	0

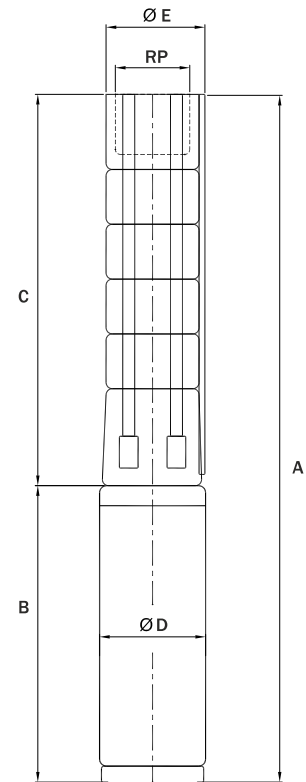
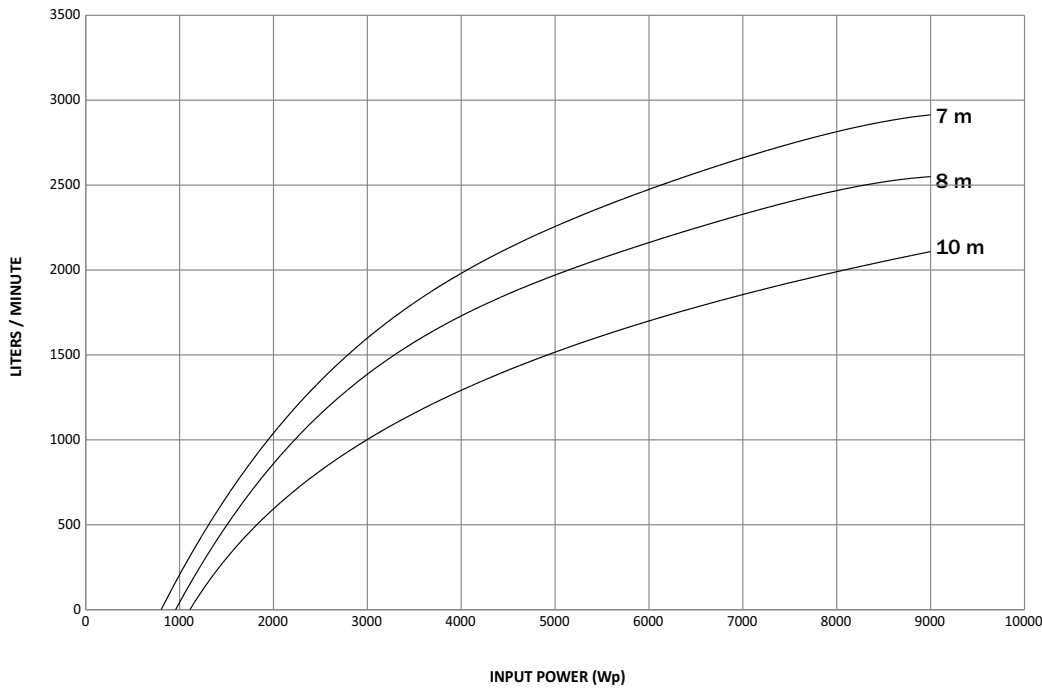


CONTROLLER CODE : 9600000094

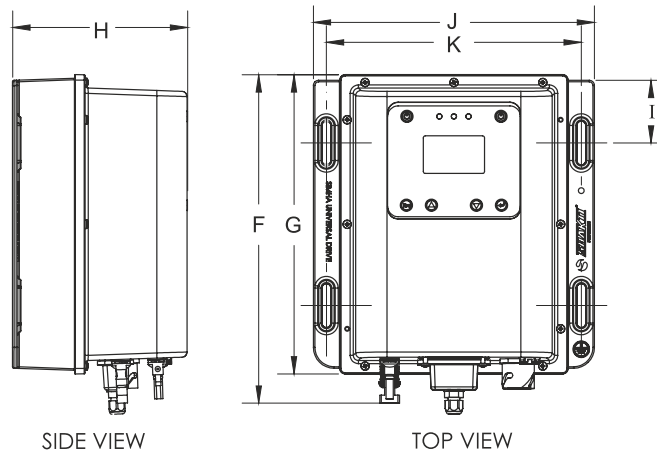
SOLAR PUMPING SYSTEM



SOLAR 122 DCSSP 9000
 BSP 100 mm (6X8)
 PUMPSET CODE : 9500000885
 DISCHARGE (LPD) : 1129500
 DISCHARGE (LPW) : 125.5
 DUTY HEAD ; 10 METER



	INPUT POWER (Wp)						
	9000	7150	4450	1800	1200	1000	800
HEAD (m)	FLOW IN LPM						
10	2040	1880	1480	550	0		
8	2550	2350	1850	700	300	0	
7	2914	2686	2114	900	400	200	0



CONTROLLER CODE : 9600000094

SOLAR PUMPING SYSTEM



SOLAR 96 DCSSP 9000

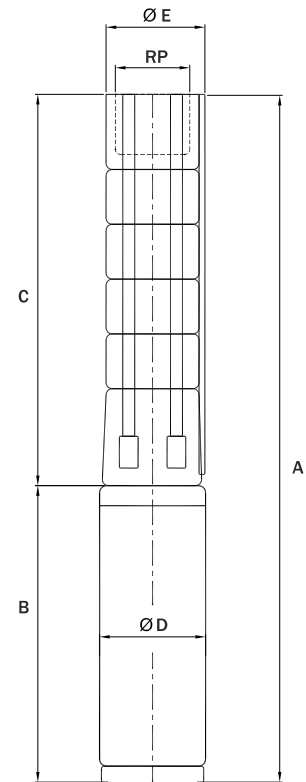
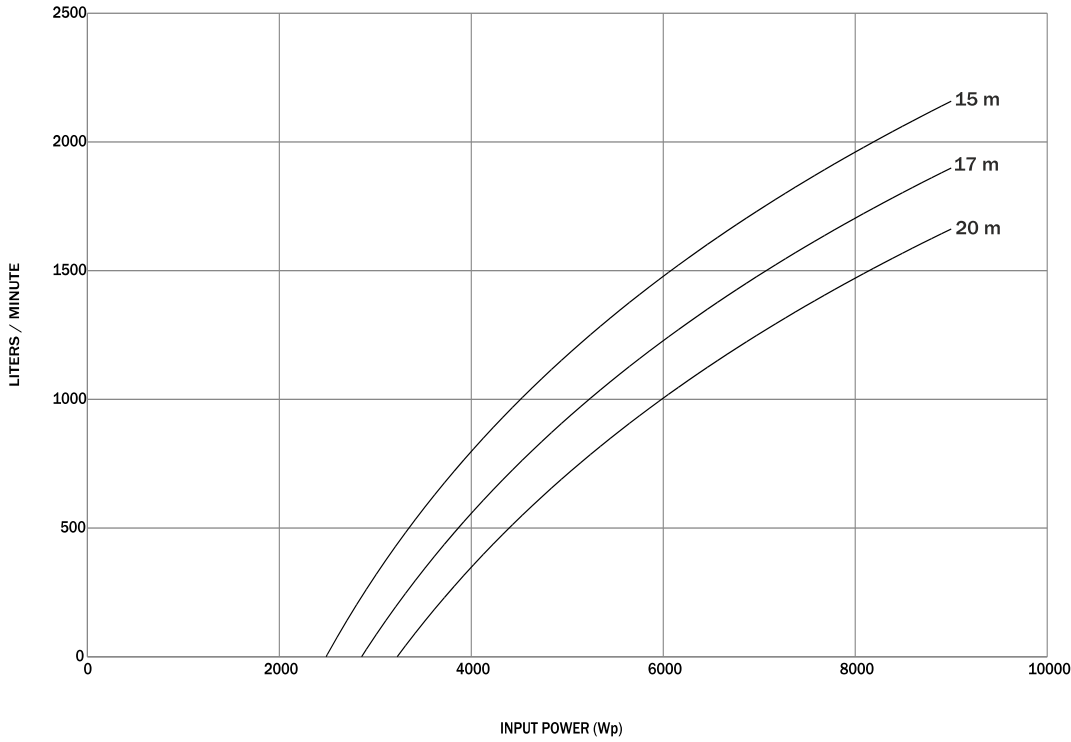
BSP 100 mm (6X6)

PUMPSET CODE : 9500000455

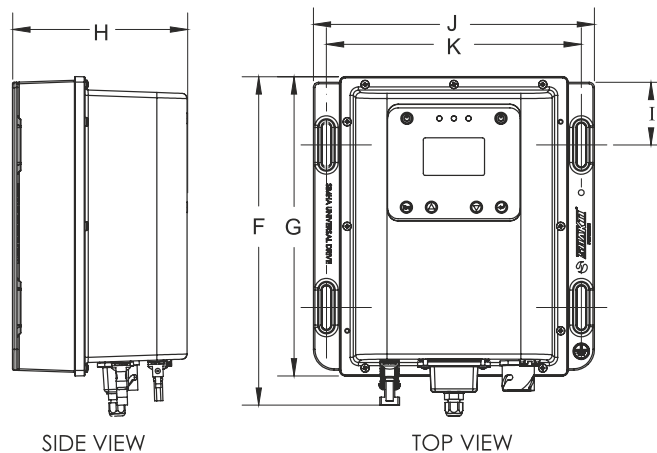
DISCHARGE (LPD) : 571500

DISCHARGE (LPW) : 63.5

DUTY HEAD : 20 METER



	INPUT POWER (Wp)						
	9000	8100	6300	4500	3150	2650	2500
HEAD (m)	FLOW IN LPM						
20	1695	1515	1015	510	0		
17	1994	1782	1194	600	150	0	
15	2061	1995	1640	1090	300	120	0

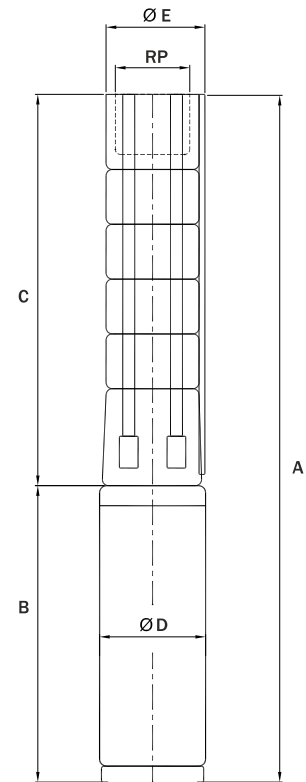
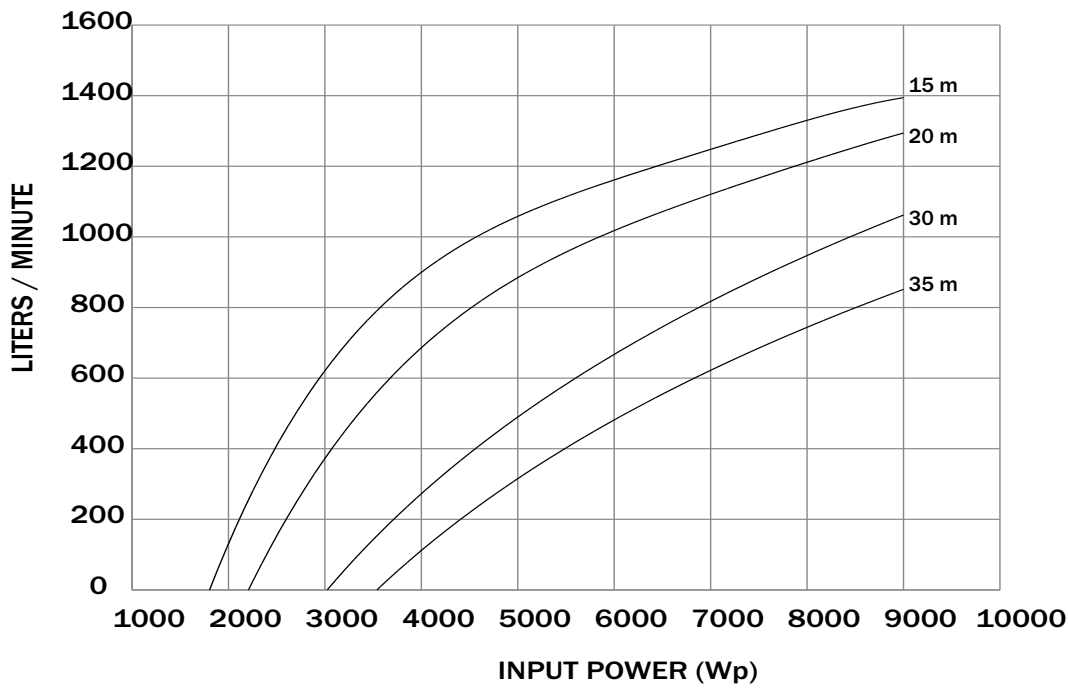


CONTROLLER CODE : 9600000094

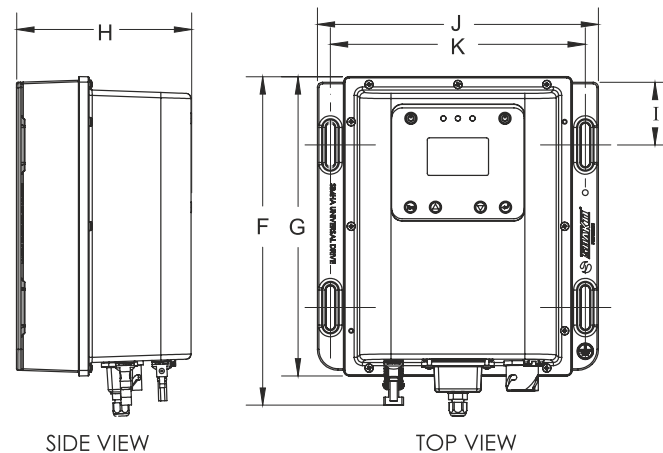
SOLAR PUMPING SYSTEM



SOLAR 52.5 DCSSP 9000
 BSP 100 mm (6X6)
 PUMPSET CODE : 9500000873
 DISCHARGE (LPD) : 400500
 DISCHARGE (LPW) : 44.5
 DUTY HEAD : 30 METER



HEAD (m)	INPUT POWER (Wp)						
	9000	7000	5000	3500	3000	2200	1800
	FLOW IN LPM						
35	850	635	293	0			
30	1085	805	455	158	0		
20	1294	1122	878	570	350	0	
15	1394	1250	1050	805	600	250	0

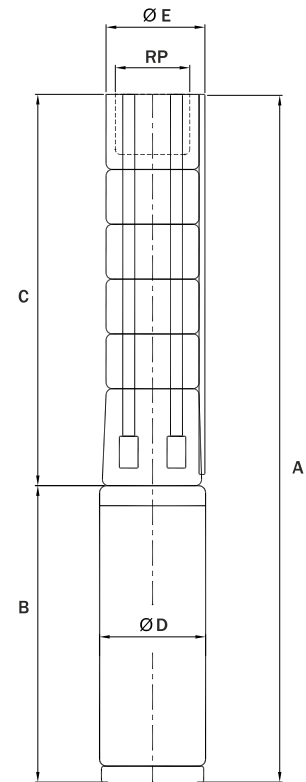
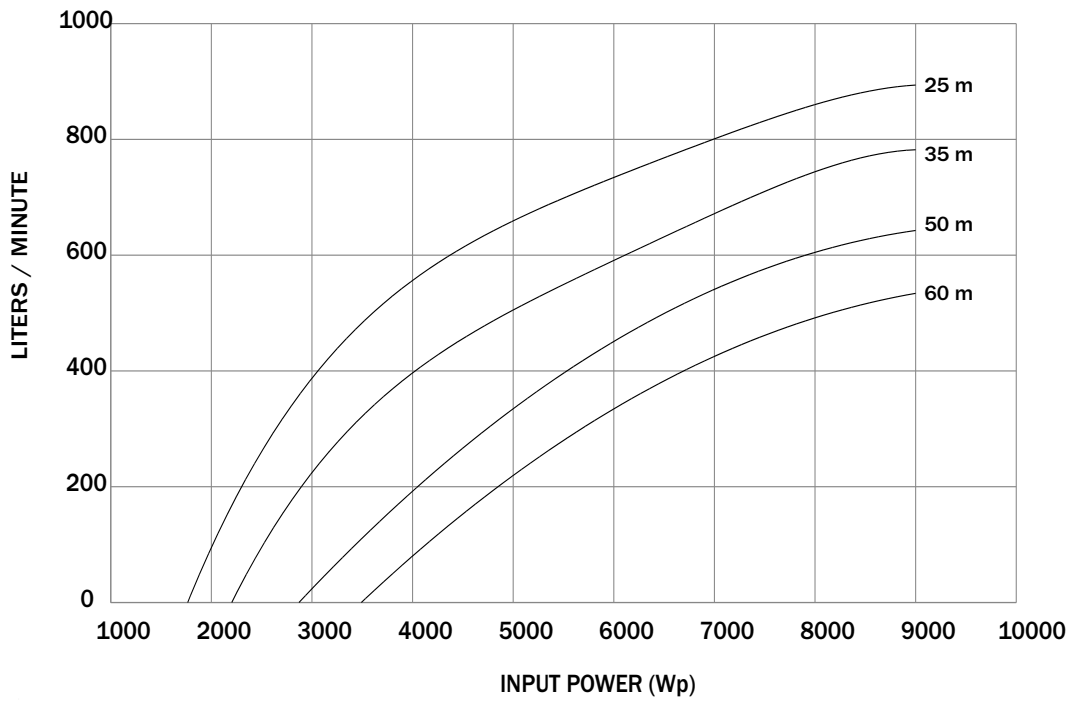


CONTROLLER CODE : 9600000094

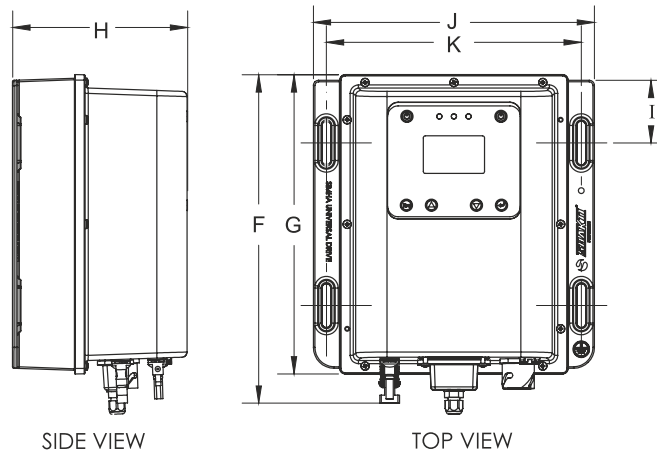
SOLAR PUMPING SYSTEM



SOLAR 40 DCSSP 9000
 BSP 75 mm (6X6)
 PUMPSET CODE : 9500001460
 DISCHARGE (LPD) : 252000
 DISCHARGE (LPW) : 28.0
 DUTY HEAD : 50 METER



HEAD (m)	INPUT POWER (Wp)						
	9000	7000	5000	3500	3000	2200	1800
	FLOW IN LPM						
60	535	422	223	0			
50	650	521	346	136	0		
35	782	672	504	326	220	0	
25	894	800	660	502	350	200	0

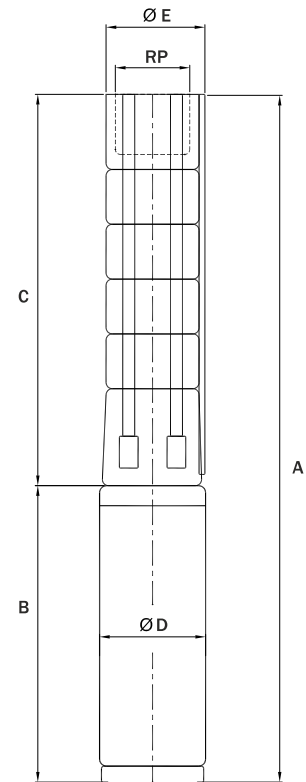
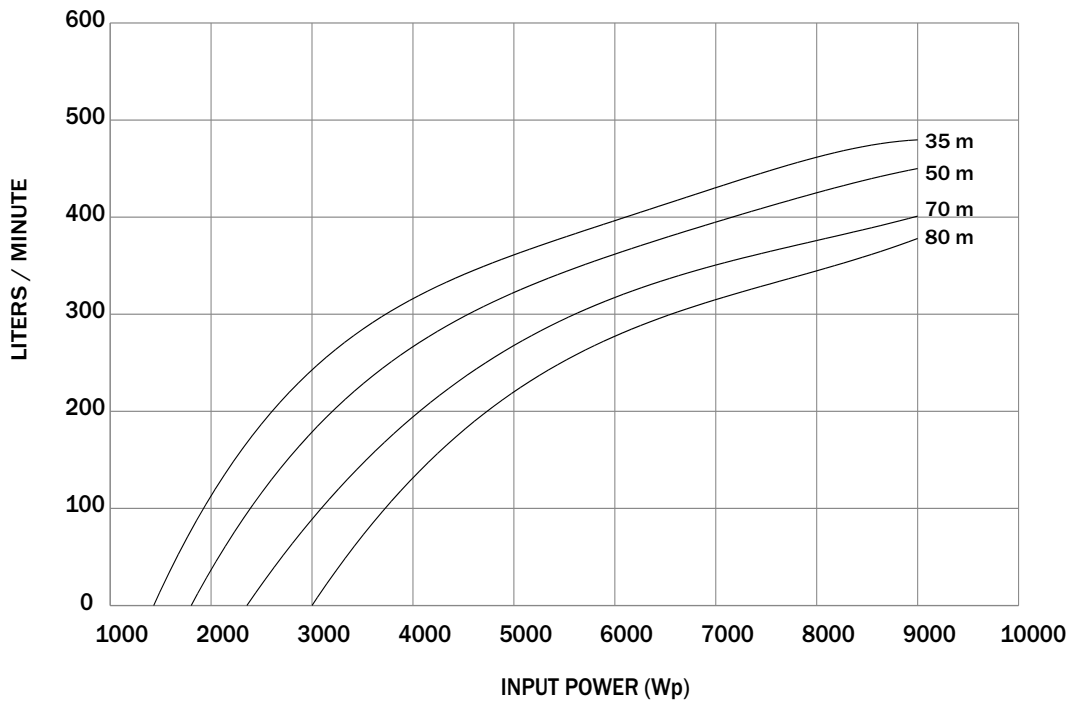


CONTROLLER CODE : 9600000094

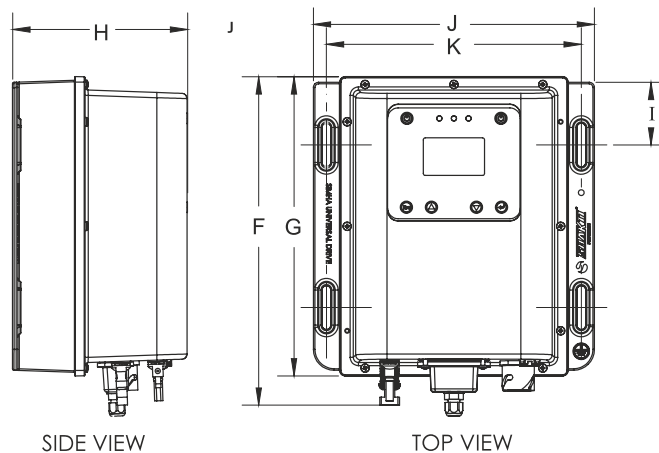
SOLAR PUMPING SYSTEM



SOLAR 23 DCSSP 9000
 BSP 63 mm (6X6)
 PUMPSET CODE : 9500001510
 DISCHARGE (LPD) : 180000
 DISCHARGE (LPW) : 20.0
 DUTY HEAD : 70 METER



HEAD (m)	INPUT POWER (Wp)						
	9000	7000	5000	3000	2400	1800	1500
80	378	315	220	0			
70	400	355	260	100	0		
50	450	395	322	180	100	0	
35	480	428	367	230	175	100	0



CONTROLLER CODE : 9600000094

SOLAR PUMPING SYSTEM



SOLAR 19 DCSSP 9000

BSP 63 mm (6X6)

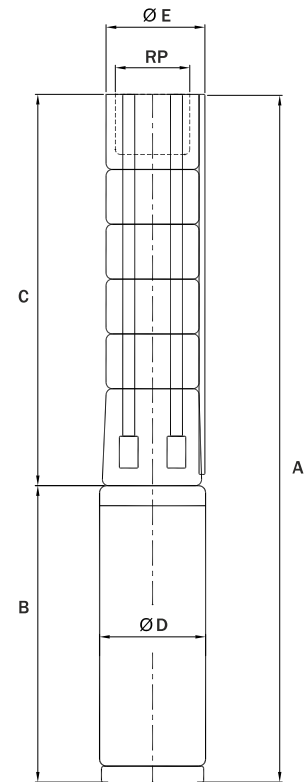
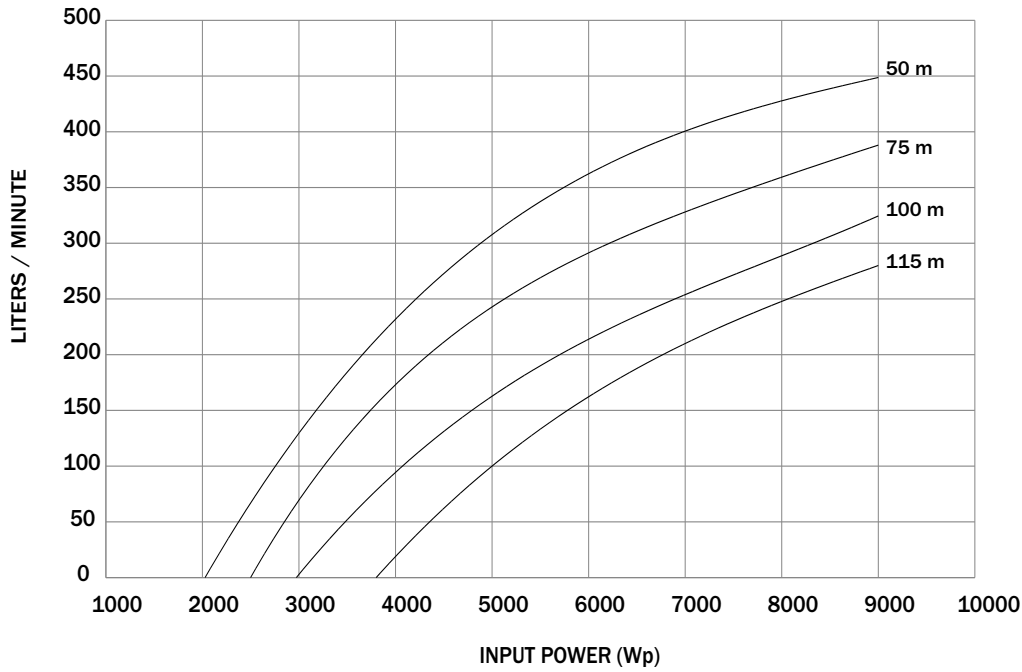
PUMPSET CODE : 9500001550

DISCHARGE (LPD) : 121500

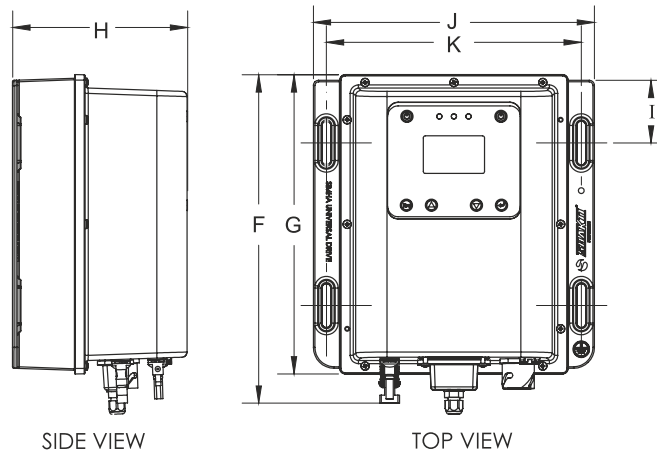
DISCHARGE (LPW) : 13.5

DUTY HEAD : 100 METER

CHOKE CODE : 9600000025



HEAD (m)	INPUT POWER (Wp)						
	9000	7000	5000	3800	3000	2500	2000
	FLOW IN LPM						
115	280	210	100	0			
100	324	256	157	85	0		
75	388	328	243	155	70	0	
50	450	395	318	210	125	65	0



CONTROLLER CODE : 9600000094

SOLAR PUMPING SYSTEM



SOLAR 16 DCSSP 9000

BSP 50 mm (6X6)

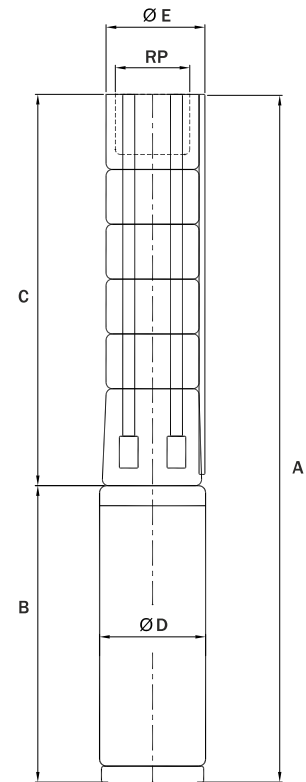
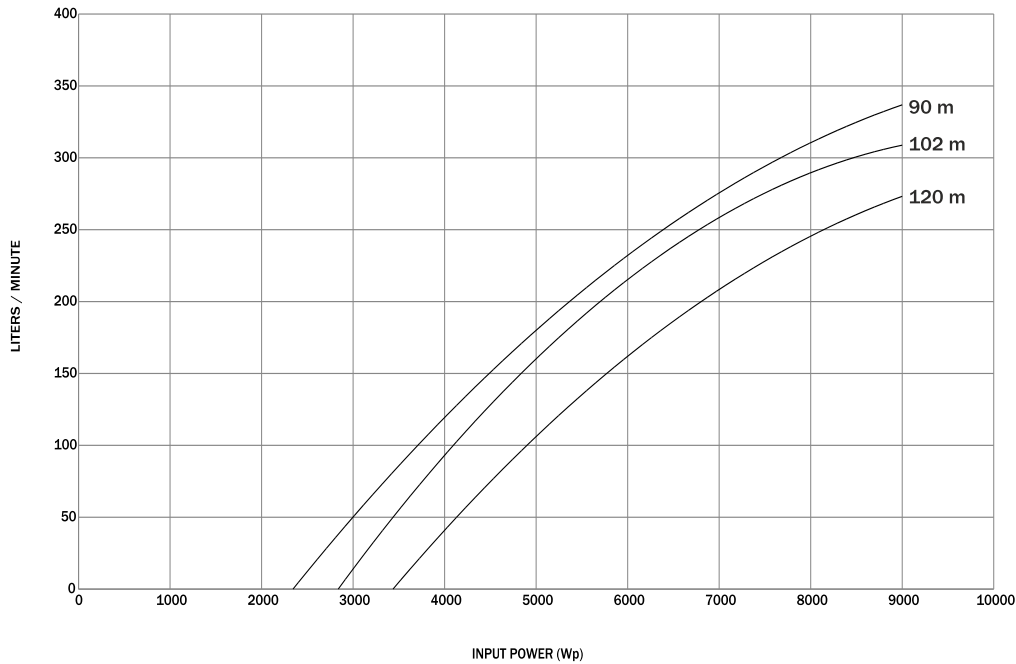
PUMPSET CODE : 9500000772

DISCHARGE (LPD) : 94500

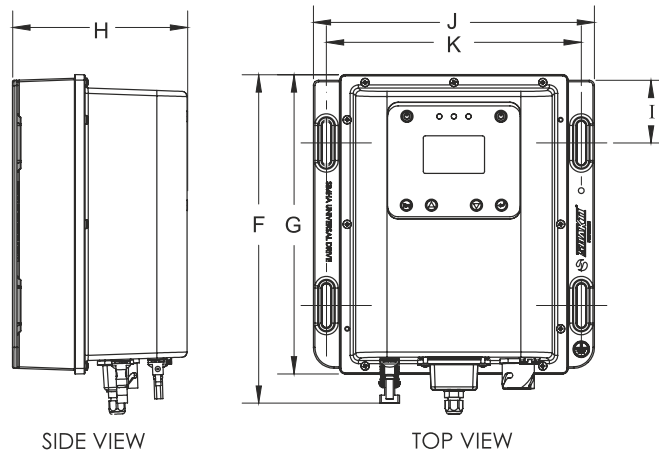
DISCHARGE (LPW) : 10.5

DUTY HEAD : 120 METER

CHOKE CODE : 9600000025



	INPUT POWER (Wp)						
	9000	7200	6300	4500	3500	2850	2450
HEAD (m)	FLOW IN LPM						
120	275	213	175	83	0		
102	310	270	215	145	48	0	
90	340	285	230	165	88	42	0



CONTROLLER CODE : 9600000094

SOLAR PUMPING SYSTEM



SOLAR 12 DCSSP 9000

BSP 50 mm (6X4)

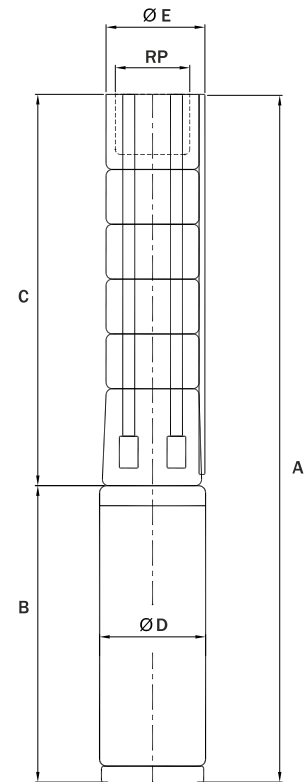
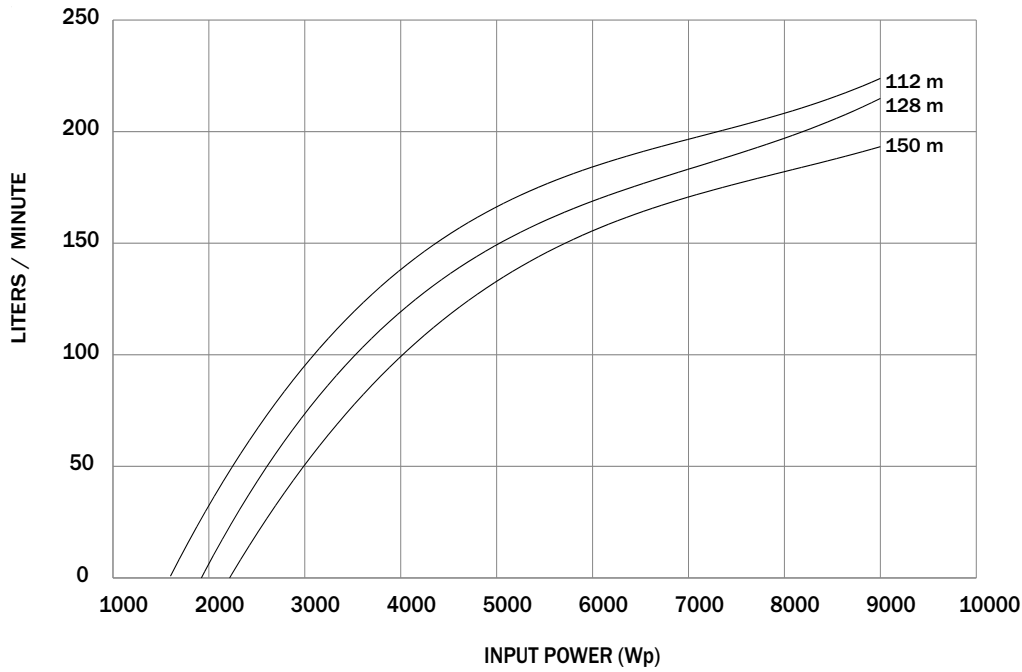
PUMPSET CODE : 9500000605

DISCHARGE (LPD) : 85500

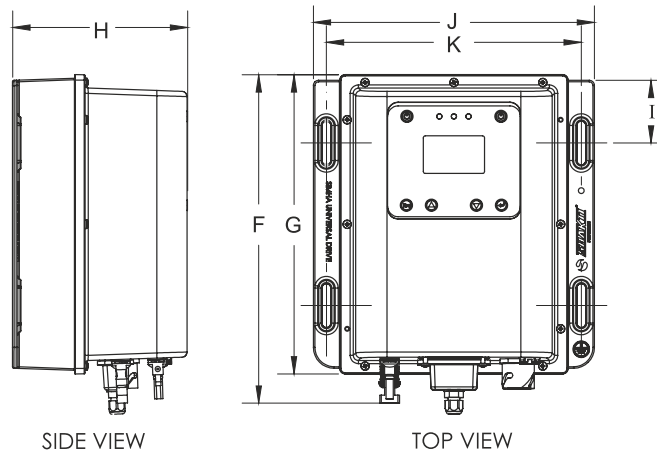
DISCHARGE (LPW) : 9.5

DUTY HEAD : 150 METER

CHOKE CODE : 9600000025



	INPUT POWER (Wp)						
	9000	7200	5400	3600	2200	2000	1600
HEAD (m)	FLOW IN LPM						
150	194	170	148	78	0		
128	215	185	160	100	30	0	
112	223	202	170	125	50	30	0



CONTROLLER CODE : 9600000094

SOLAR PUMPING SYSTEM



SOLAR 9 DCSSP 9000

BSP 50 mm (6X4)

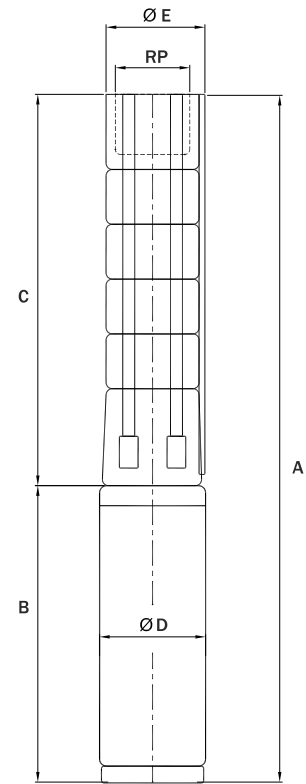
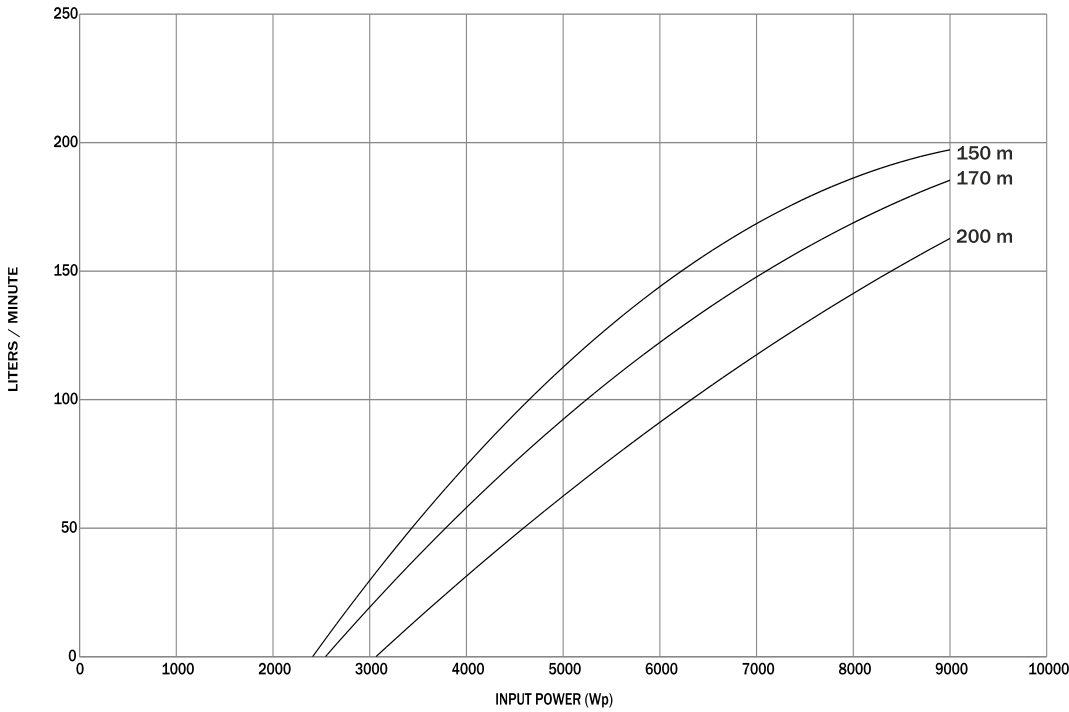
PUMPSET CODE : 9500001598

DISCHARGE (LPD) : 58500

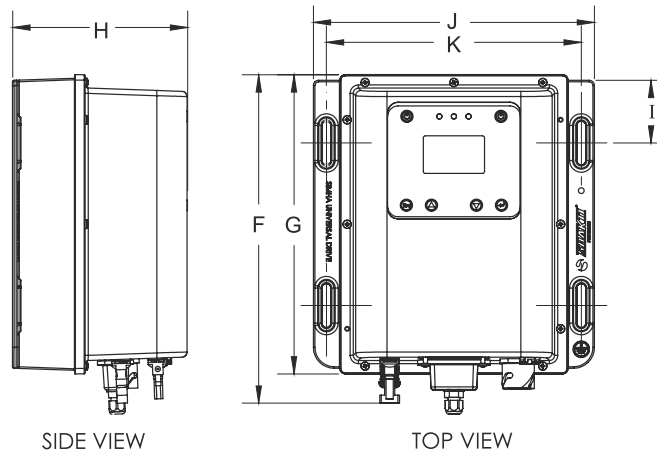
DISCHARGE (LPW) : 6.5

DUTY HEAD : 200 METER

CHOKE CODE : 9600000025



	INPUT POWER (Wp)						
	9000	7200	5350	3600	3150	2700	2600
HEAD (m)	FLOW IN LPM						
200	163	122	72	22	0		
170	186	152	100	47	31	0	
150	199	169	124	61	40	20	0



CONTROLLER CODE : 9600000094

SOLAR PUMPING SYSTEM



SOLAR 23 DCSSP 11250

BSP 65 mm (6X6)

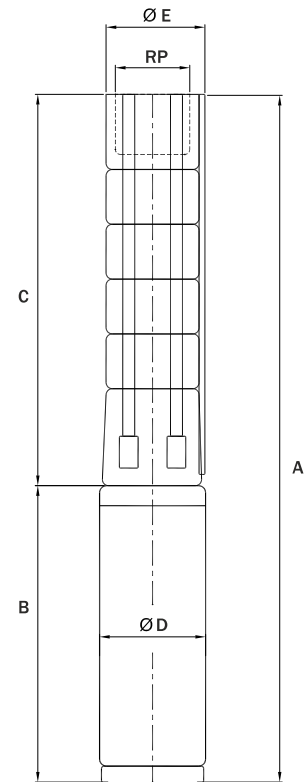
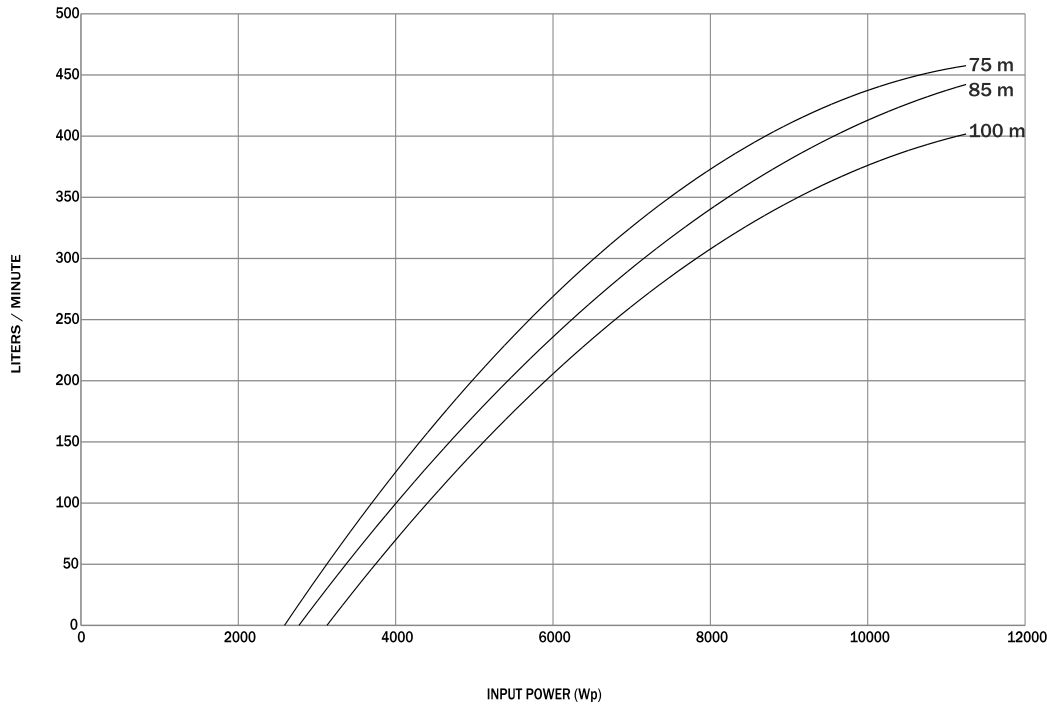
PUMPSET CODE : 9500001731

DISCHARGE (LPD) : 157500

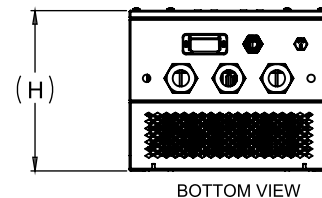
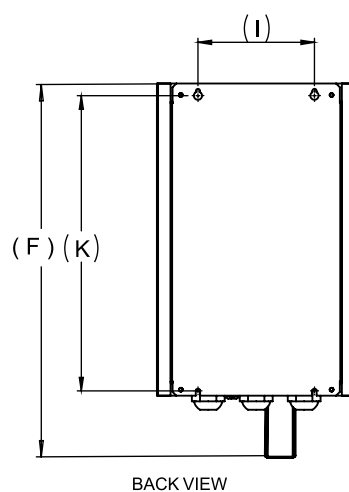
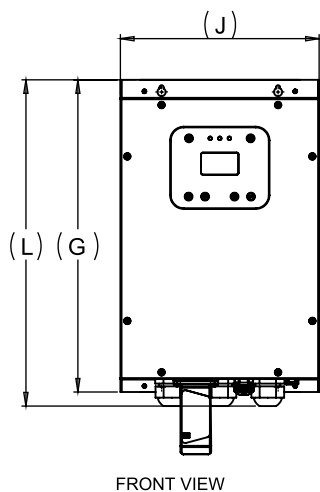
DISCHARGE (LPW) : 14

DUTY HEAD : 100 METER

CHOKE CODE : 9000023926



	INPUT POWER (Wp)						
	11250	8950	6750	4500	3200	3000	2800
HEAD (m)	FLOW IN LPM						
100	405	337	249	116	0		
85	444	378	270	150	50	0	
75	462	402	305	180	75	35	0



CONTROLLER CODE : 960000073

SOLAR PUMPING SYSTEM



SOLAR 12 DCSSP 11250

BSP 50 mm (6X4)

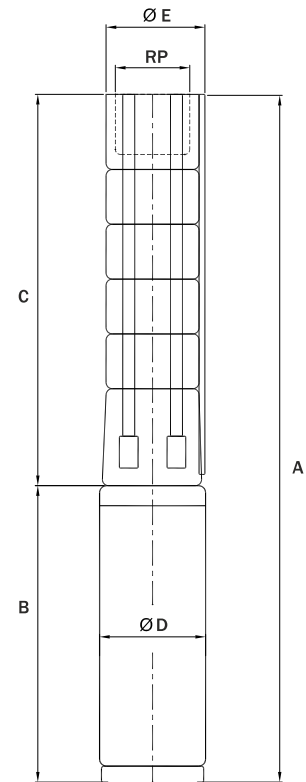
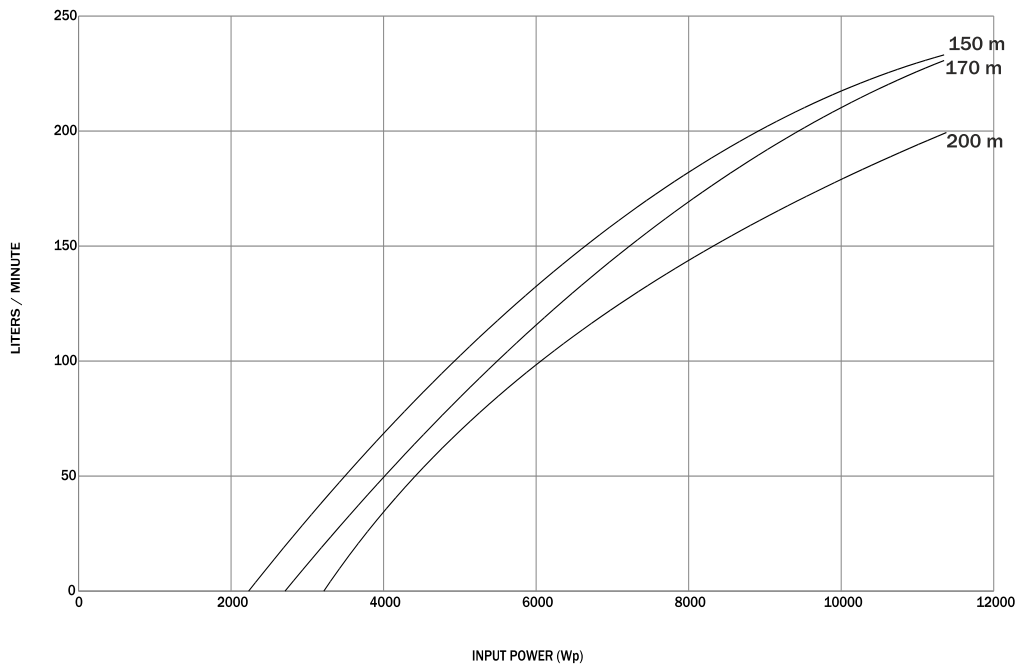
PUMPSET CODE : 9500001733

DISCHARGE (LPD) : 78750

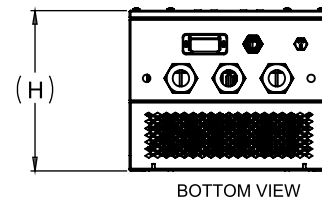
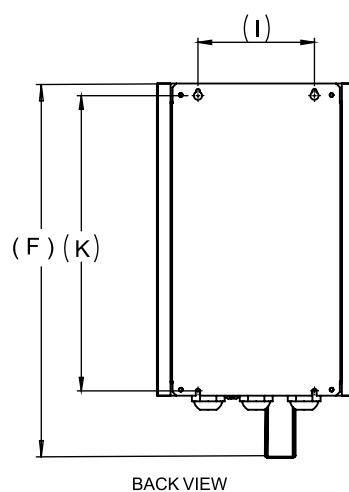
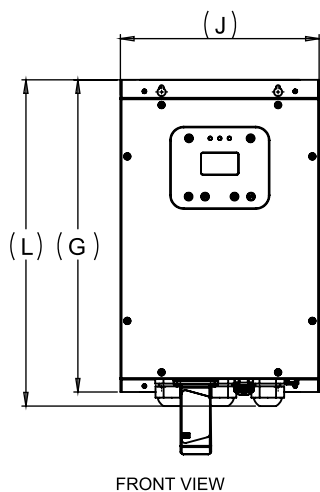
DISCHARGE (LPW) : 7

DUTY HEAD : 200 METER

CHOKE CODE : 9000023926



	INPUT POWER (Wp)						
	11250	9950	8100	4750	3300	2650	2250
HEAD (m)	FLOW IN LPM						
200	200	176	142	69	0		
170	230	209	170	80	18	0	
150	232	217	184	95	40	20	0

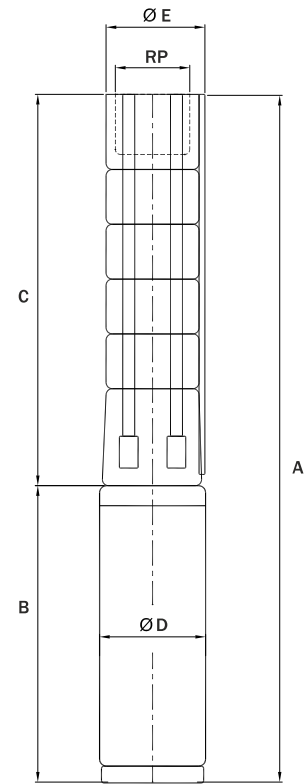
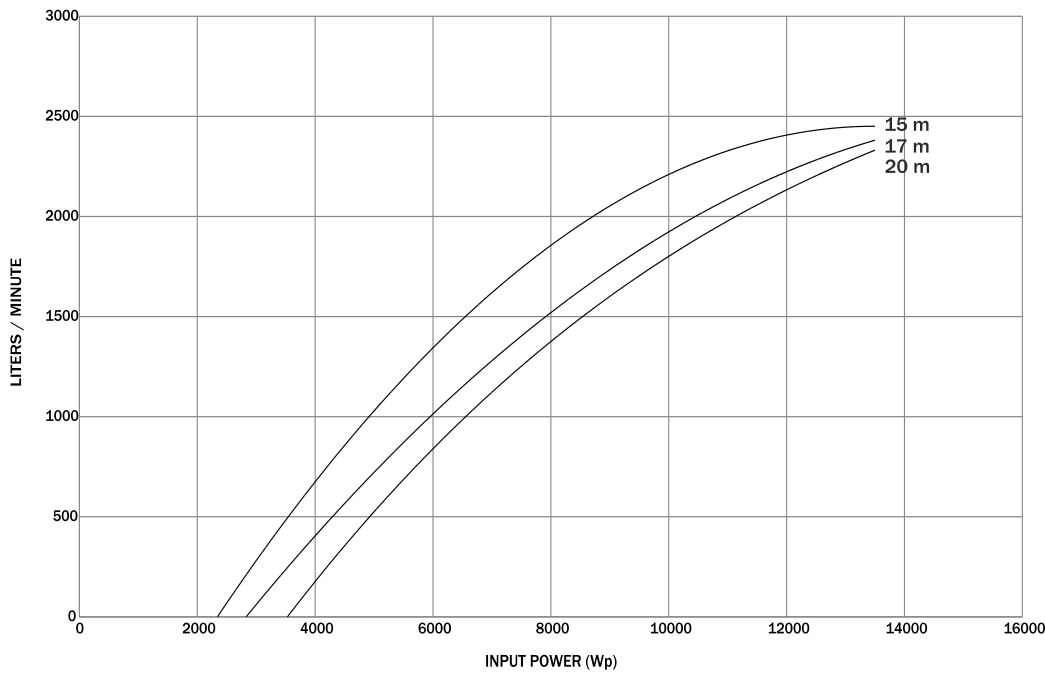


CONTROLLER CODE : 9600000073

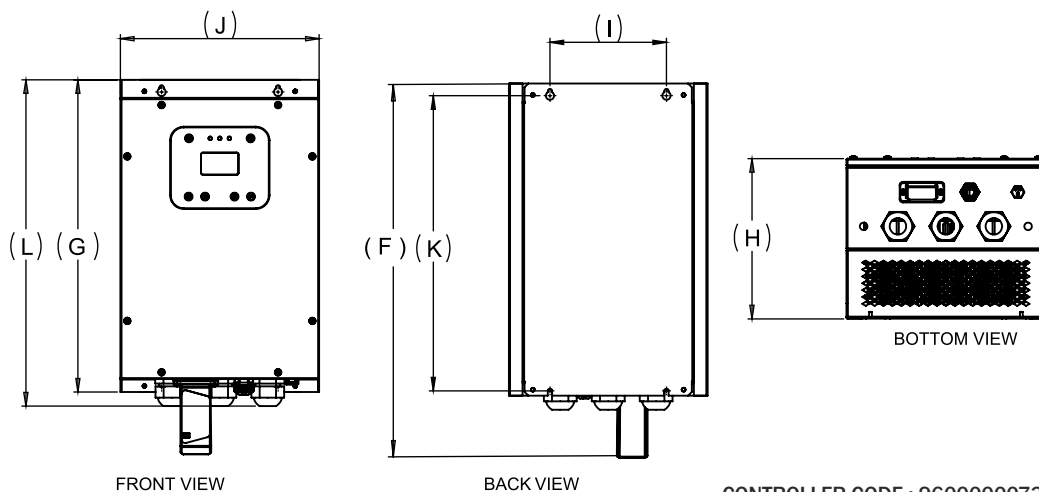
SOLAR PUMPING SYSTEM



SOLAR 139 DCSSP 13500
BSP 100 mm (6X8)
PUMPSET CODE : 9500000886
DISCHARGE (LPD) : 918000
DISCHARGE (LPW) : 68
DUTY HEAD : 20 METER



	INPUT POWER (Wp)						
	13500	9450	6750	4050	3600	3000	2200
HEAD (m)	FLOW IN LPM						
20	2330	1700	1040	230	0		
17	2390	1800	1200	530	250	0	
15	2450	2105	1630	600	550	230	0

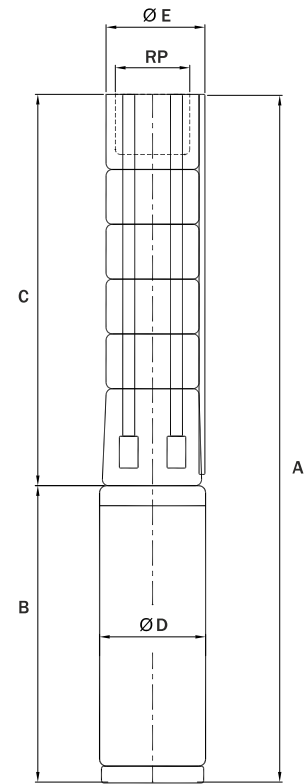
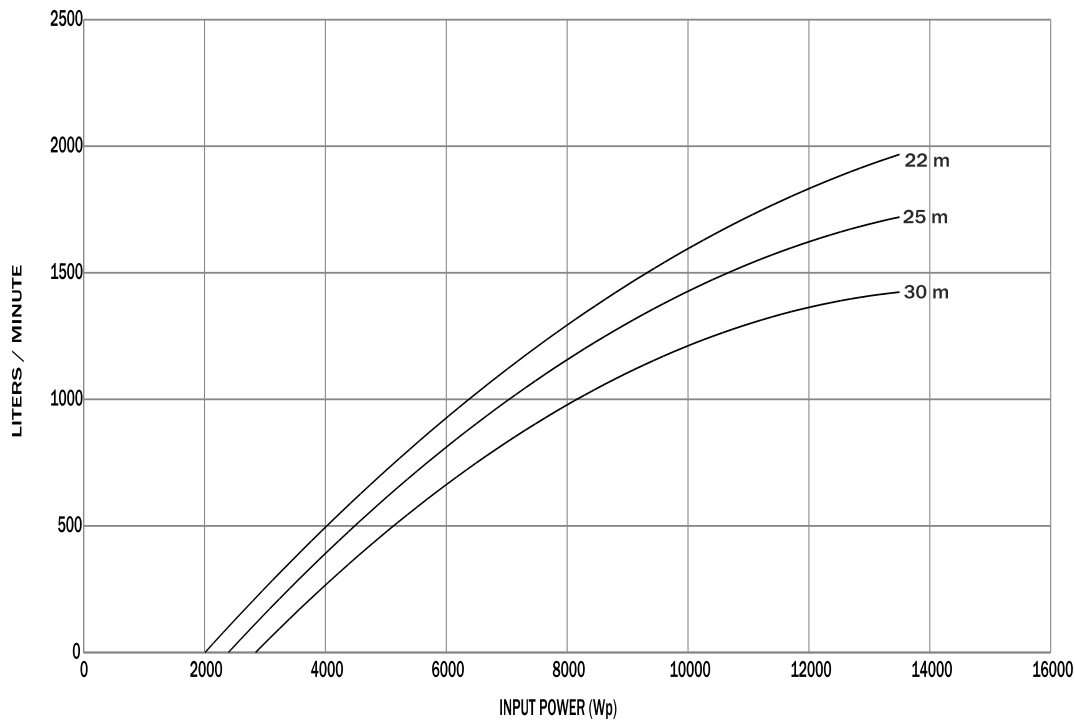


CONTROLLER CODE : 960000073

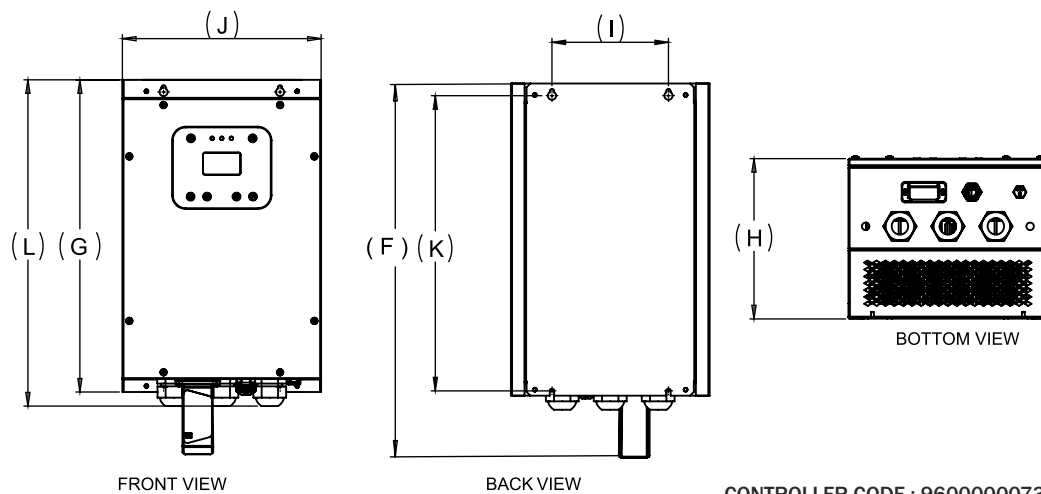
SOLAR PUMPING SYSTEM



SOLAR 86 DCSSP 13500
BSP 100 mm (6X6)
PUMPSET CODE : 9500000880
DISCHARGE (LPD) : 614250
DISCHARGE (LPW) : 45.5
DUTY HEAD : 30 METER



	INPUT POWER (Wp)						
	13500	10350	6850	4400	2950	2500	2000
HEAD (m)	FLOW IN LPM						
30	1435	1217	814	385	0		
25	1722	1460	977	462	180	0	
22	1957	1660	1110	525	250	150	0



CONTROLLER CODE : 960000073

SOLAR PUMPING SYSTEM



SOLAR 54 DCSSP 13500

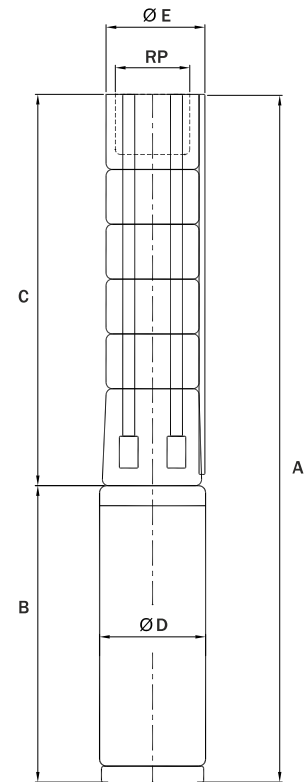
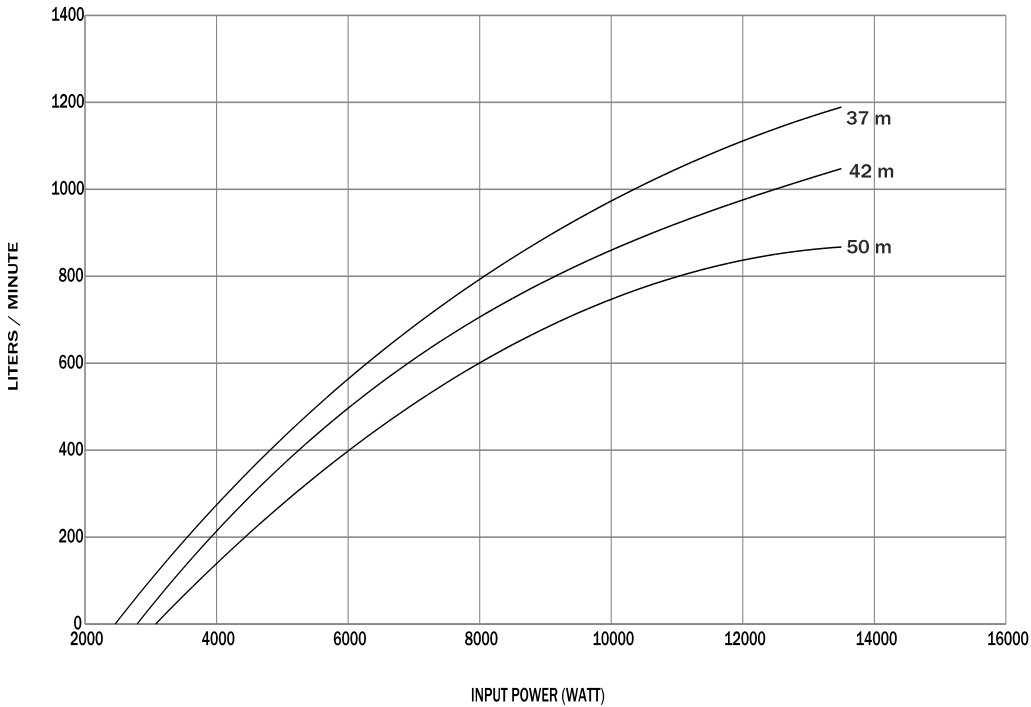
BSP 75 mm (6X6)

PUMPSET CODE : 9500000874

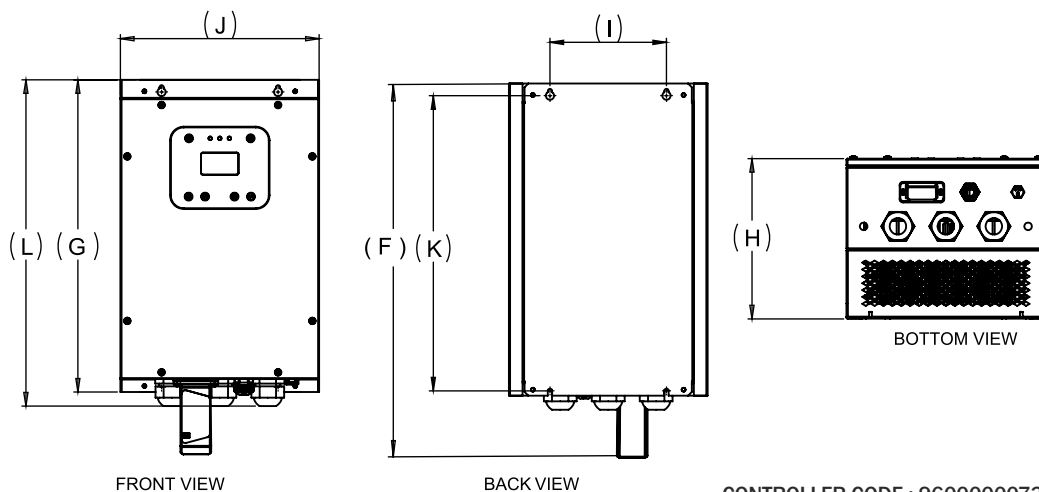
DISCHARGE (LPD) : 384750

DISCHARGE (LPW) : 28.5

DUTY HEAD : 50 METER



	INPUT POWER (WATT)						
	13500	10850	6600	4000	3300	2800	2600
HEAD (m)	FLOW IN LPM						
50	880	766	477	175	0		
42	1048	912	568	208	100	0	
37	1189	1035	645	236	200	80	0

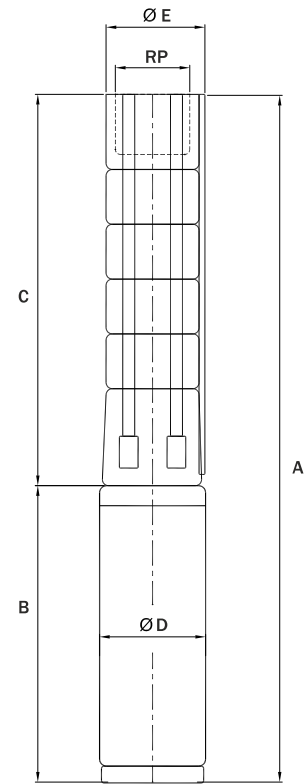
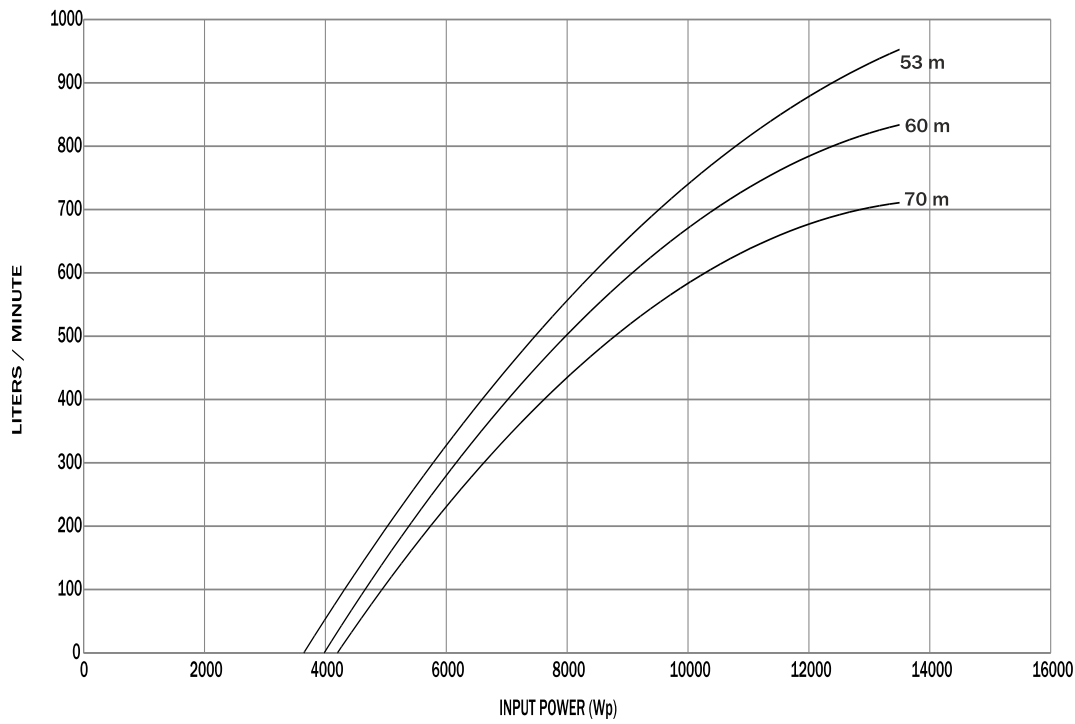


CONTROLLER CODE : 960000073

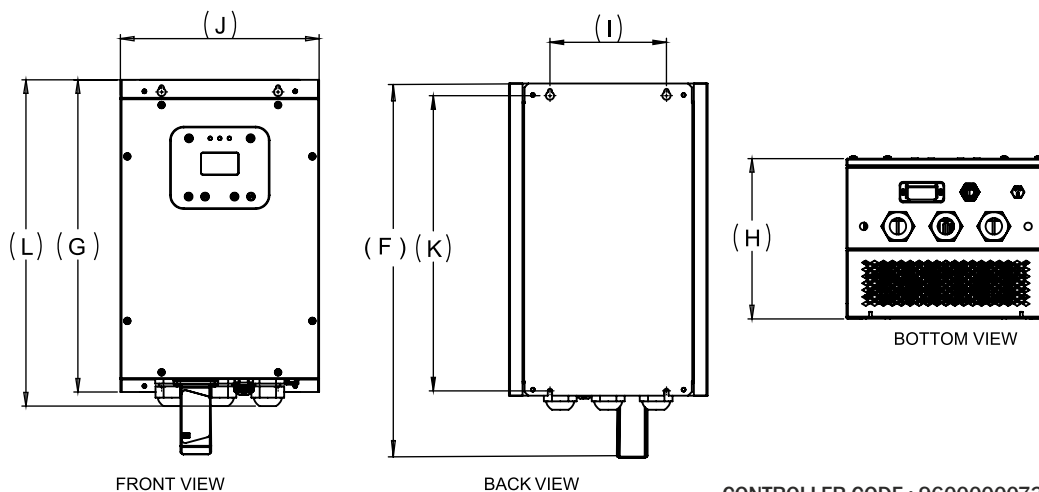
SOLAR PUMPING SYSTEM



SOLAR 43 DCSSP 13500
 BSP 75 mm (6X6)
 PUMPSET CODE : 9500000866
 DISCHARGE (LPD) : 276750
 DISCHARGE (LPW) : 20.5
 DUTY HEAD : 70 METER



	INPUT POWER (Wp)						
	13500	11000	7000	5200	4400	4000	3500
HEAD (m)	FLOW IN LPM						
70	720	618	346	165	0		
60	840	721	404	193	50	0	
53	951	816	457	218	100	40	0



CONTROLLER CODE : 960000073

SOLAR PUMPING SYSTEM



SOLAR 30.5 DCSSP 13500

BSP 75 mm (6X6)

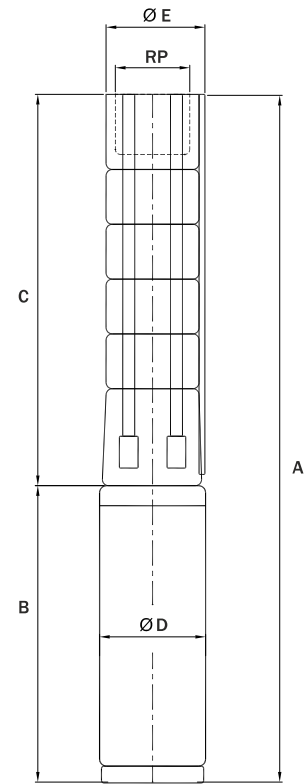
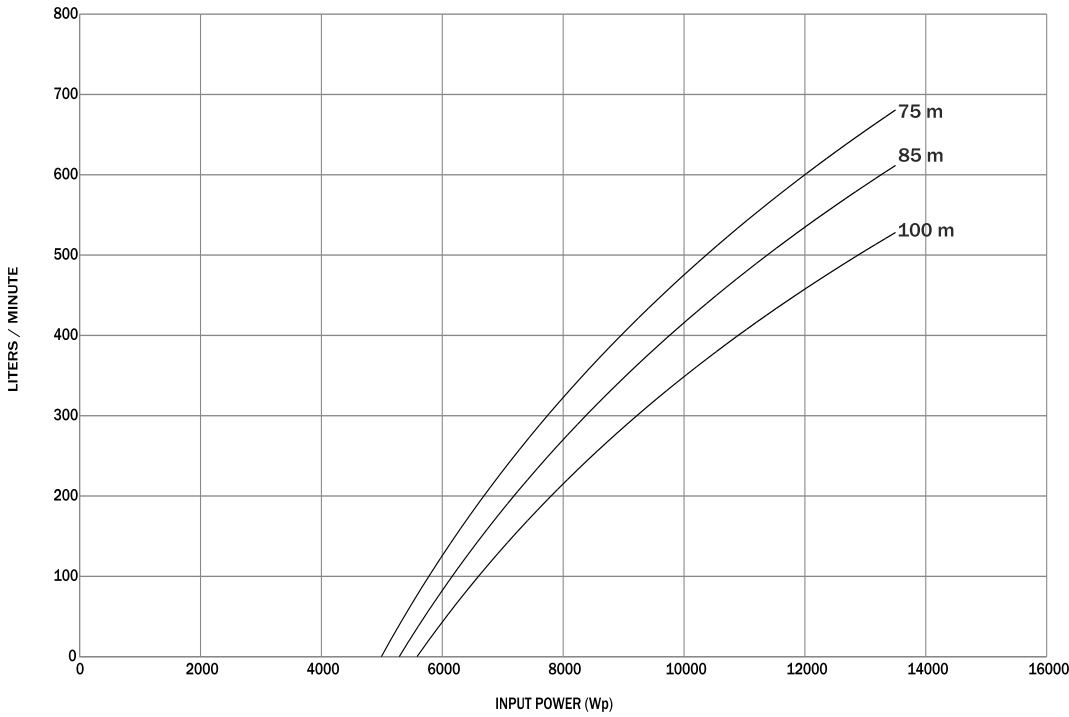
PUMPSET CODE : 9500000614

DISCHARGE (LPD) : 182250

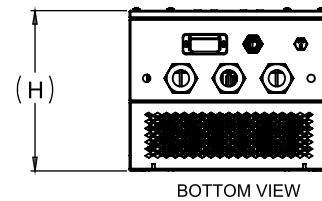
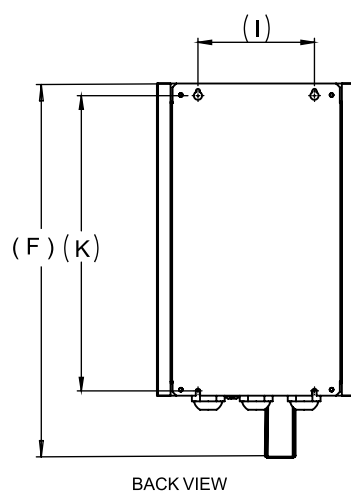
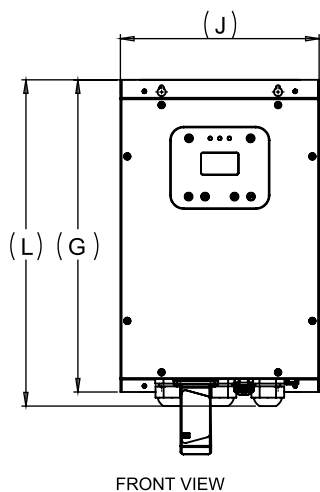
DISCHARGE (LPW) : 13.5

DUTY HEAD : 100 METER

CHOKE CODE : 9000023926



	INPUT POWER (Wp)						
	13500	10650	8400	6850	5950	5500	5000
HEAD (m)	FLOW IN LPM						
100	509	393	267	150	0		
85	599	462	314	176	90	0	
75	679	524	356	200	140	60	0



CONTROLLER CODE : 9600000073

SOLAR PUMPING SYSTEM



SOLAR 19 DCSSP 13500

BSP 50 mm (6X6)

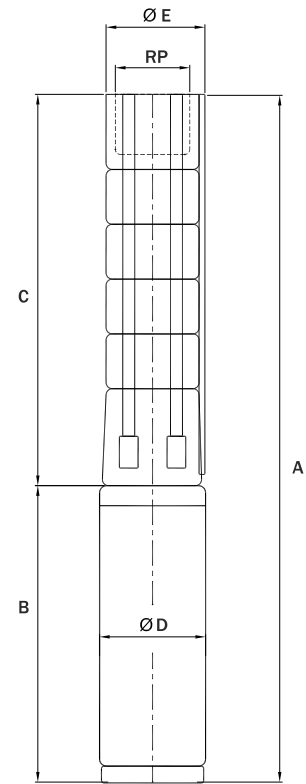
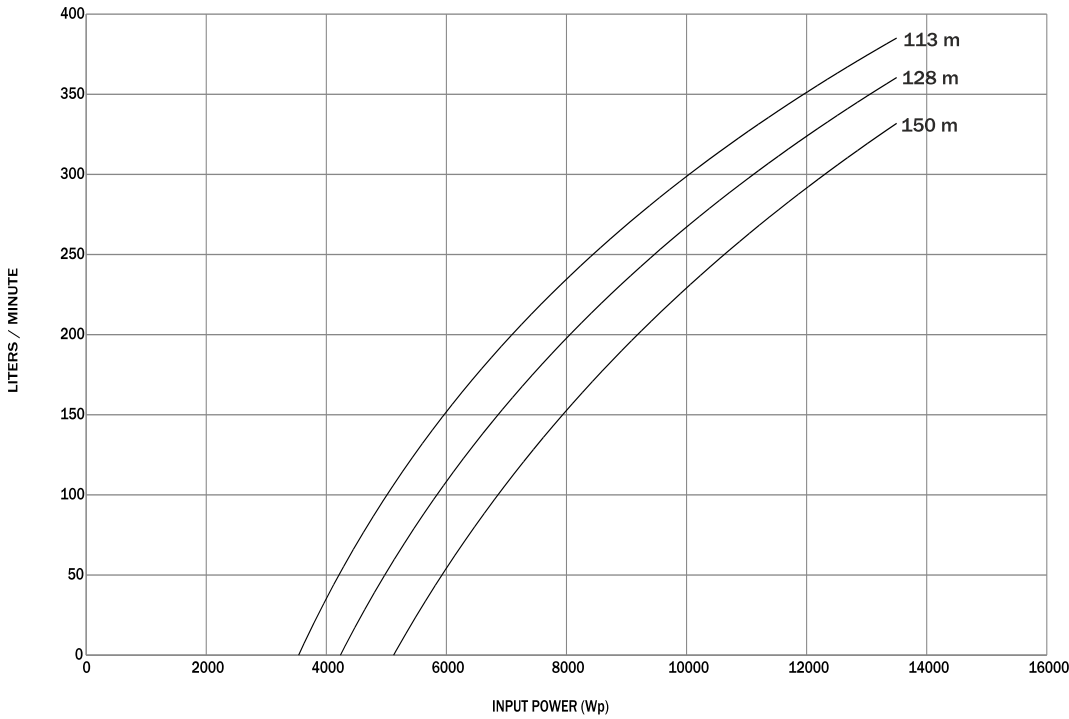
PUMPSET CODE : 9500001714

DISCHARGE (LPD) : 114750

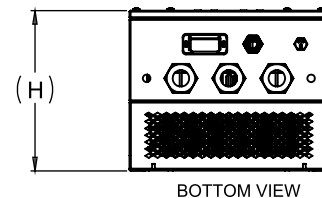
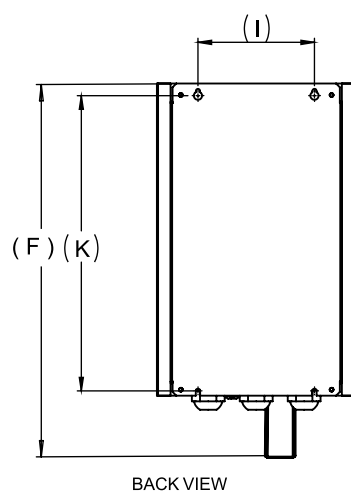
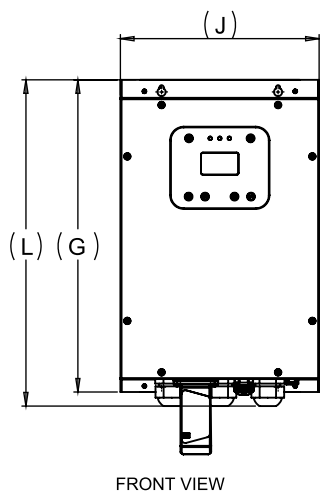
DISCHARGE (LPW) : 8.5

DUTY HEAD : 150 METER

CHOKE CODE : 9000023926



	INPUT POWER (Wp)						
	13500	11450	9550	7500	5300	4250	3650
HEAD (m)	FLOW IN LPM						
150	322	274	223	144	0		
128	358	313	250	180	70	0	
113	375	330	290	235	132	40	0



CONTROLLER CODE : 9600000073

SOLAR PUMPING SYSTEM



SOLAR 14 DCSSP 13500

BSP 50 mm (6X6)

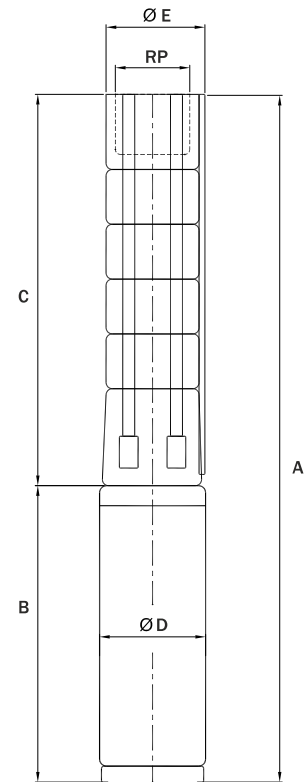
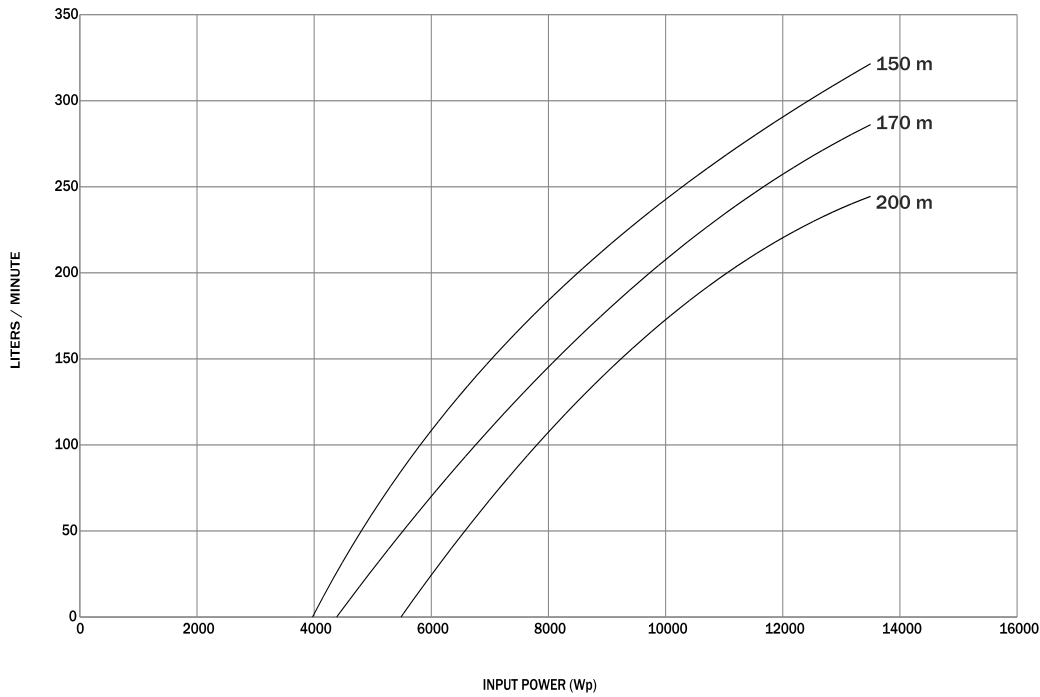
PUMPSET CODE : 9500001732

DISCHARGE (LPD) : 87750

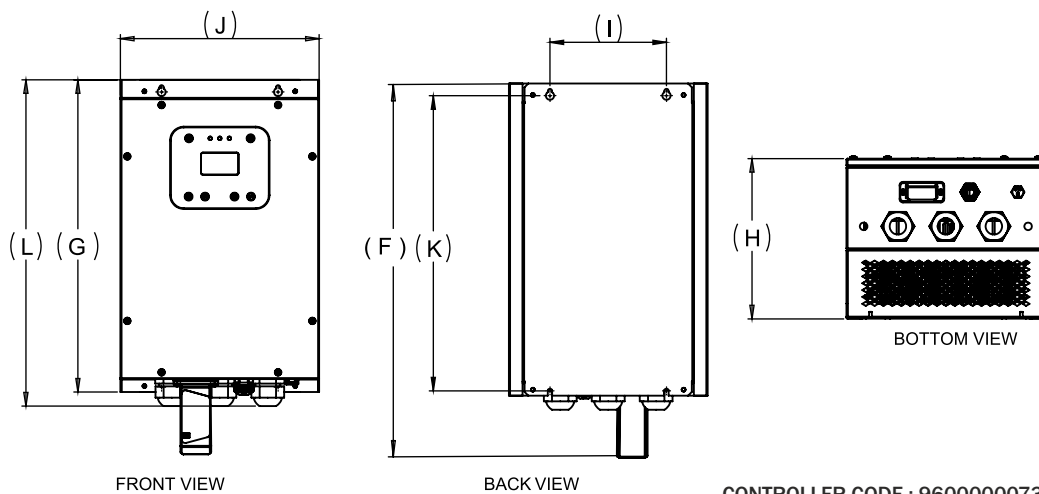
DISCHARGE (LPW) : 6.5

DUTY HEAD : 200 METER

CHOKE CODE : 9000023926



	INPUT POWER (Wp)						
	13500	10800	8100	6050	5500	4600	4000
HEAD (m)	FLOW IN LPM						
200	247	186	120	24	0		
170	290	220	150	80	55	0	
150	320	260	188	120	90	30	0



SOLAR PUMPING SYSTEM



SOLAR 11 DCSSP 13500

BSP 50 mm (6X4)

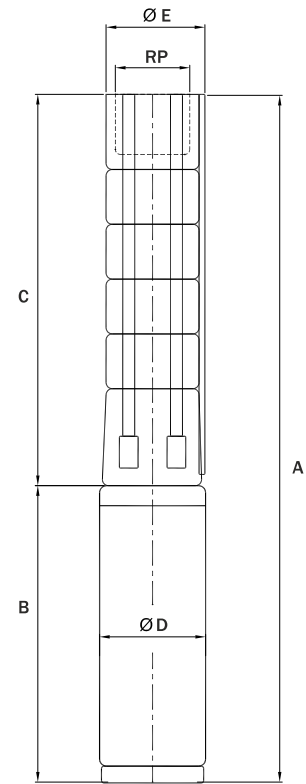
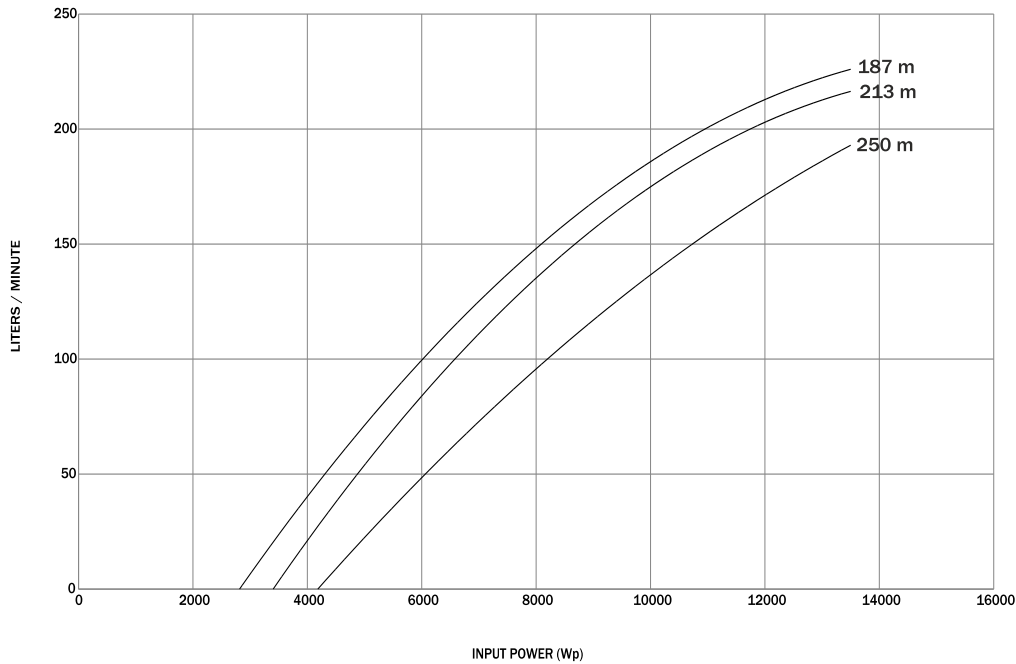
PUMPSET CODE : 9500000835

DISCHARGE (LPD) : 74250

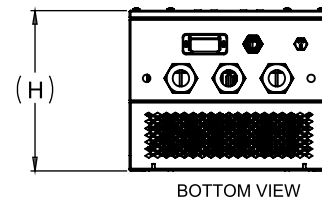
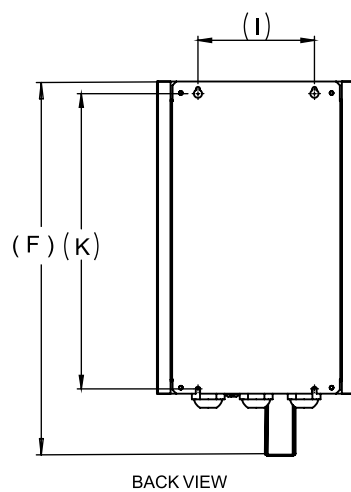
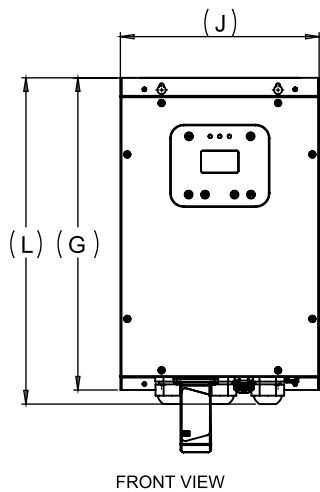
DISCHARGE (LPW) : 5.5

DUTY HEAD : 250 METER

CHOKE CODE : 9000023926



	INPUT POWER (Wp)						
	13500	10800	8100	5350	4300	3450	2950
HEAD (m)	FLOW IN LPM						
250	193	152	95	37	0		
213	217	187	135	70	30	0	
187	228	194	150	85	50	25	0

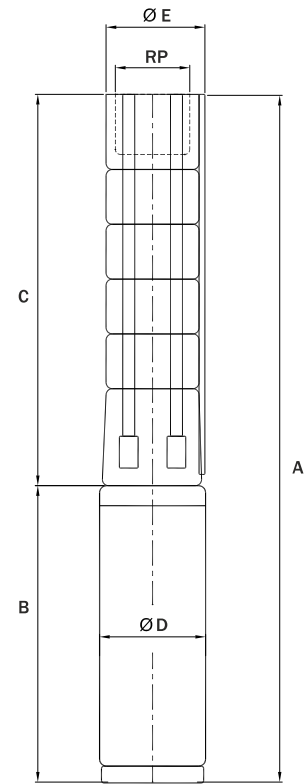
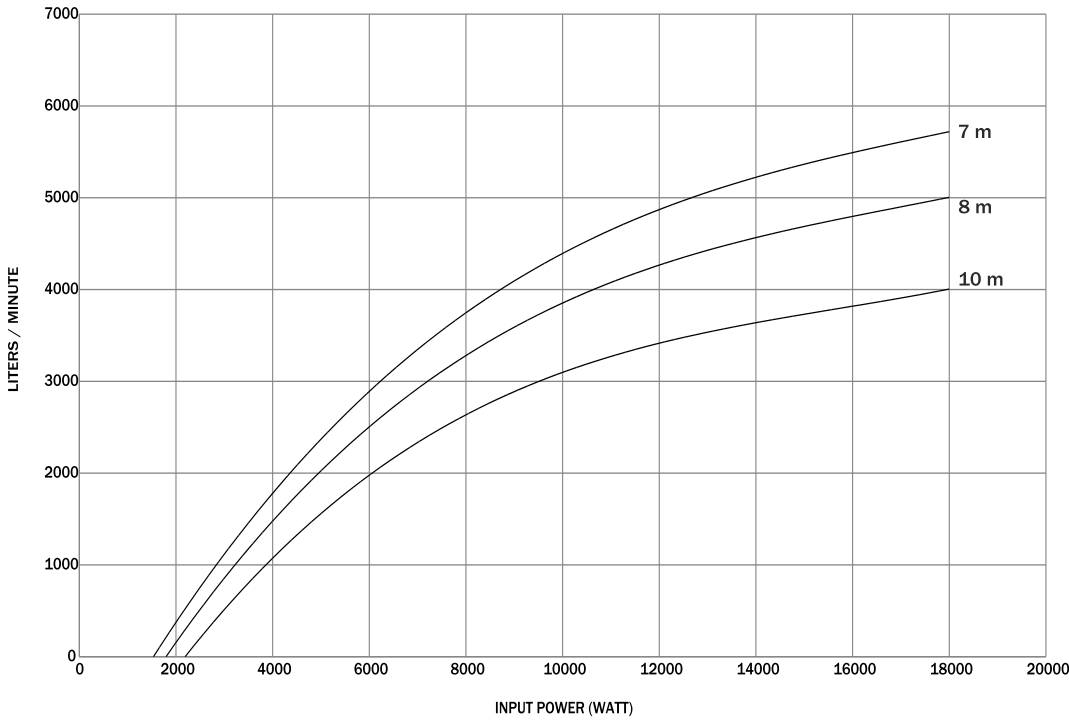


CONTROLLER CODE : 9600000073

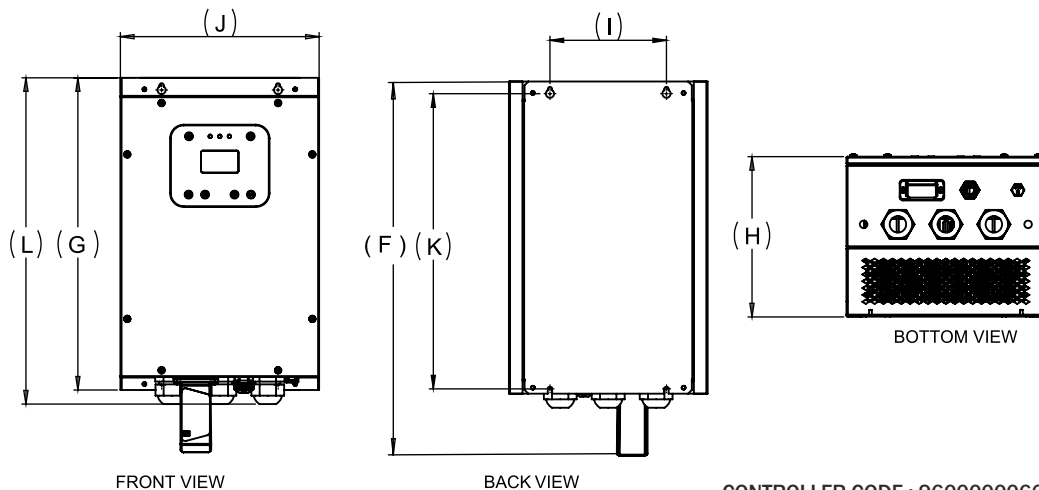
SOLAR PUMPING SYSTEM



SOLAR 240 DCSSP 18000
BSP 150 mm (6X12)
PUMPSET CODE : 9500000887
DISCHARGE (LPD) : 2250000
DISCHARGE (LPW) : 125
DUTY HEAD : 10 METER



	INPUT POWER (WATT)						
	18000	13150	9400	6550	2200	1800	1600
HEAD (m)	FLOW IN LPM						
10	4000	3580	2920	2220	0		
8	5000	4475	3650	2775	300	0	
7	5714	5114	4171	3171	550	250	0

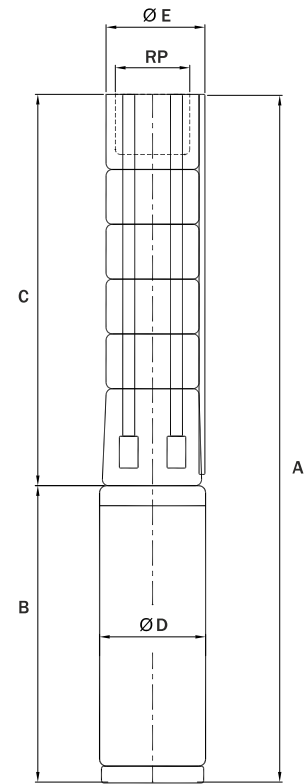
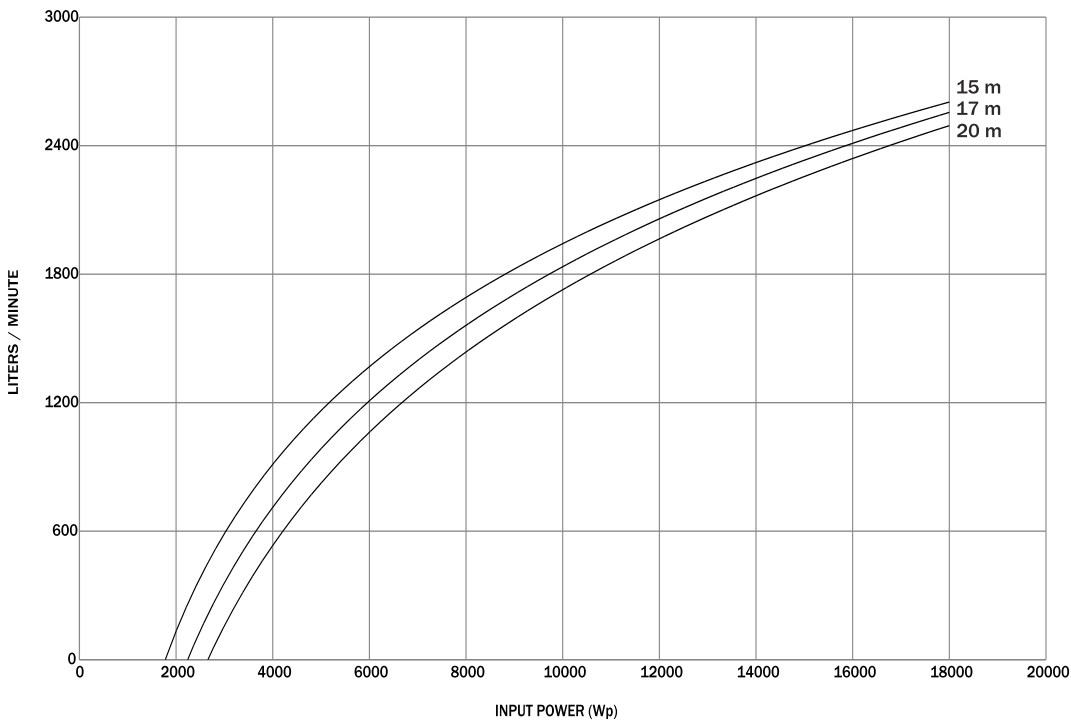


CONTROLLER CODE : 9600000066

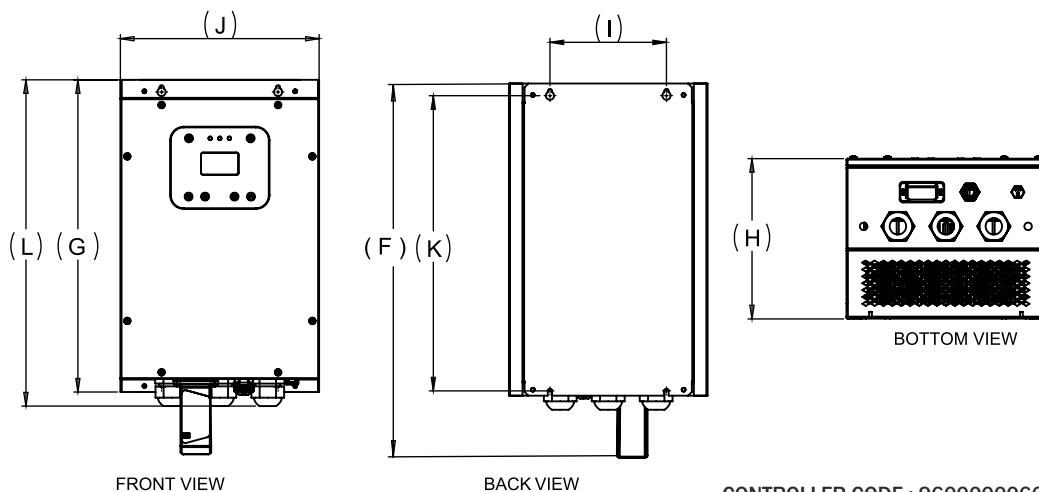
SOLAR PUMPING SYSTEM



SOLAR 148 DCSSP 18000
 BSP 100 mm (6X8)
 PUMPSET CODE : 9500000896
 DISCHARGE (LPD) : 1224000
 DISCHARGE (LPW) : 68
 DUTY HEAD : 20 METER



	INPUT POWER (Wp)						
	18000	11800	6350	3750	2750	2250	1900
HEAD (m)	FLOW IN LPM						
20	2475	1940	1170	480	0		
17	2510	2100	1300	550	300	0	
15	2550	2182	1400	900	550	250	0

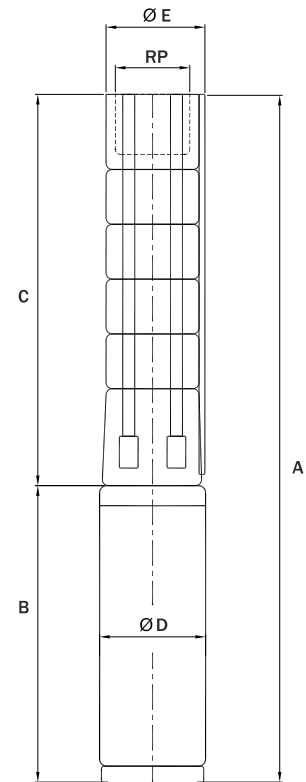
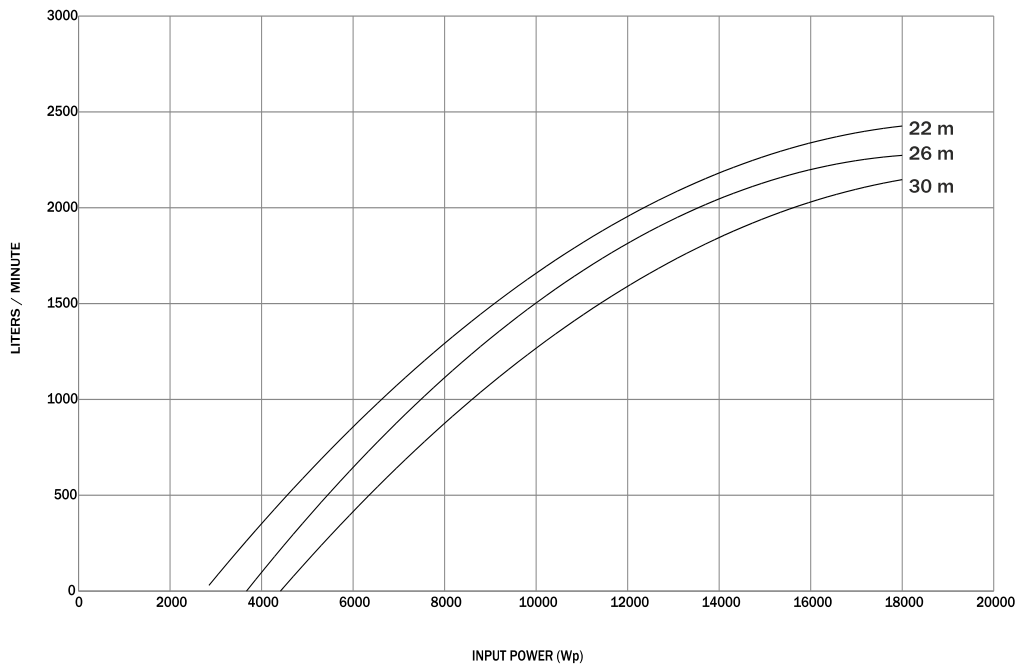


CONTROLLER CODE : 9600000066

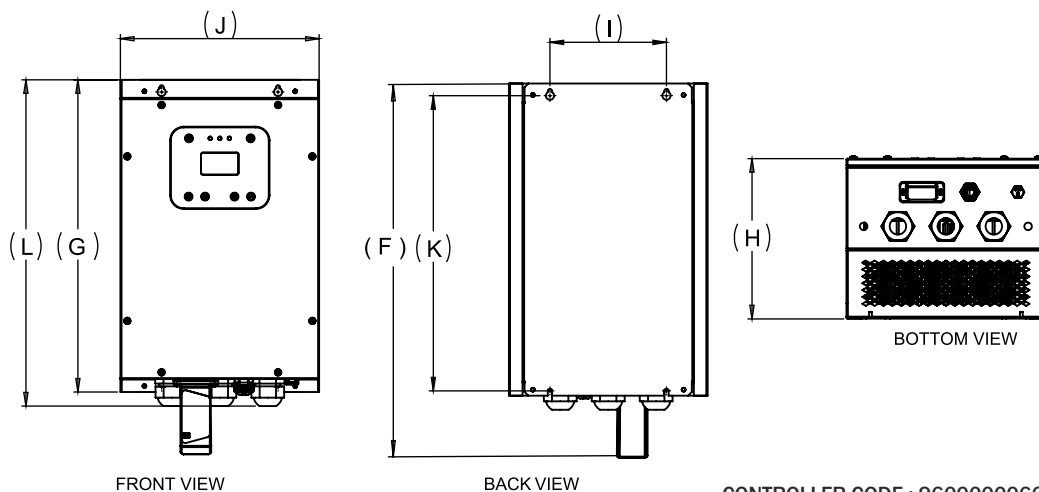
SOLAR PUMPING SYSTEM



SOLAR 129 DCSSP 18000
BSP 100 mm (6X8)
PUMPSET CODE : 9500000661
DISCHARGE (LPD) : 891000
DISCHARGE (LPW) : 49.5
DUTY HEAD : 30 METER



	INPUT POWER (Wp)						
	18000	15650	11000	6750	4500	3650	2900
HEAD (m)	FLOW IN LPM						
30	2160	1985	1425	635	0		
26	2320	2100	1690	875	200	0	
22	2450	2270	1860	950	590	250	0



CONTROLLER CODE : 960000066

SOLAR PUMPING SYSTEM



SOLAR 81 DCSSP 18000

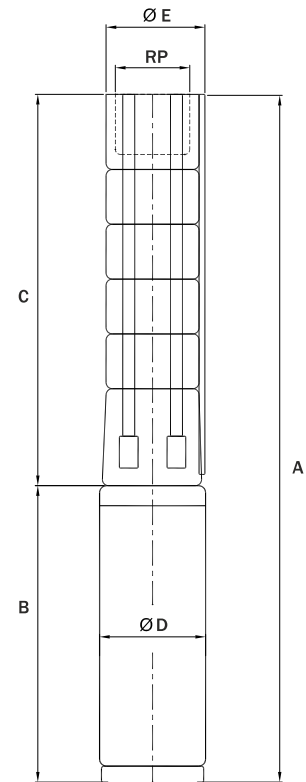
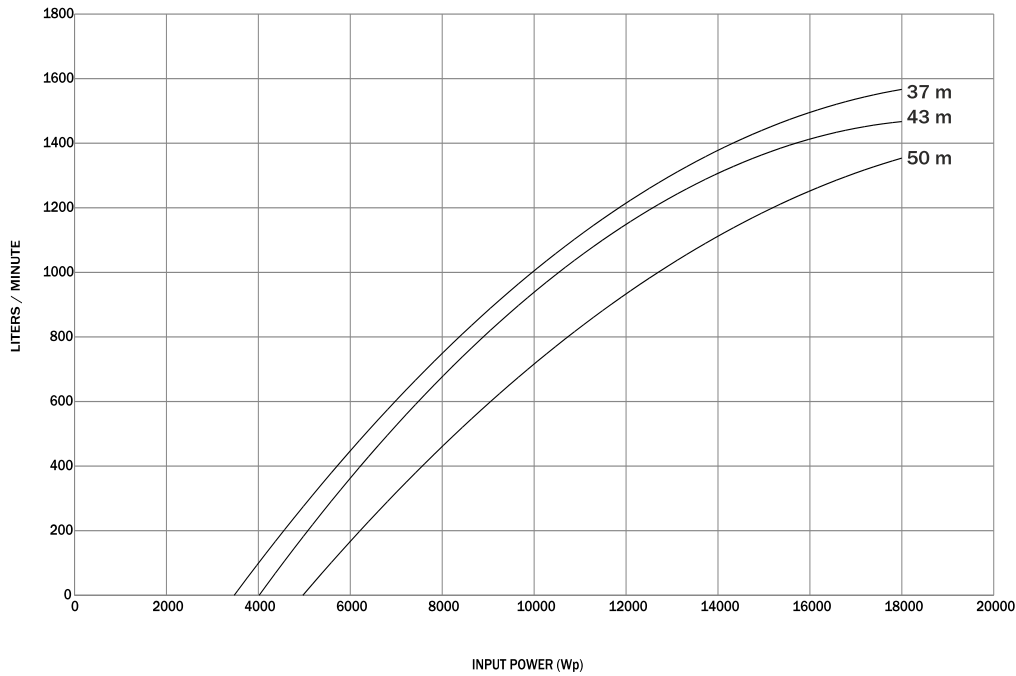
BSP 100 mm (6X6)

PUMPSET CODE : 9500000623

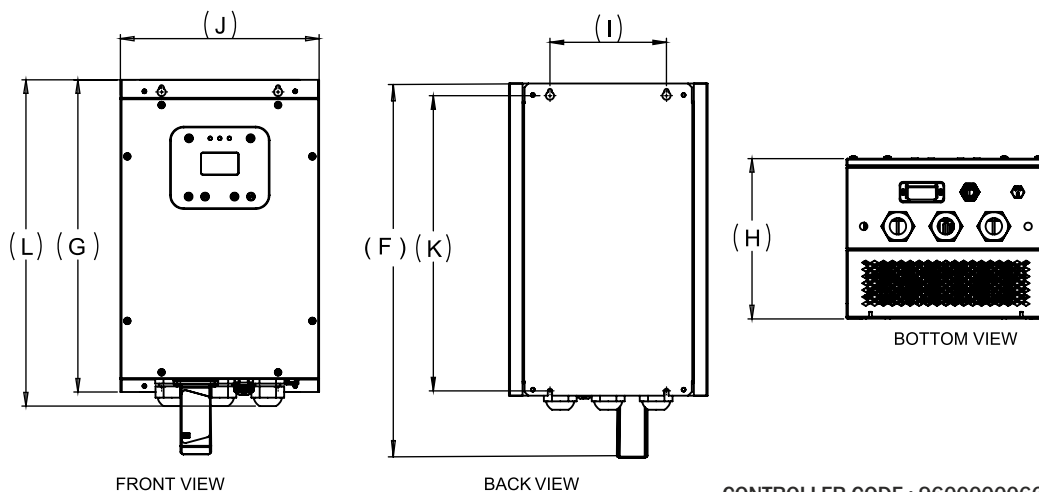
DISCHARGE (LPD) : 504000

DISCHARGE (LPW) : 28

DUTY HEAD : 50 METER



	INPUT POWER (Wp)						
	18000	15450	11550	7200	5050	4100	3400
HEAD (m)	FLOW IN LPM						
50	1360	1210	880	370	0		
43	1480	1370	1100	580	200	0	
37	1580	1450	1160	665	300	75	0



CONTROLLER CODE : 960000066

SOLAR PUMPING SYSTEM



SOLAR 53 DCSSP 18000

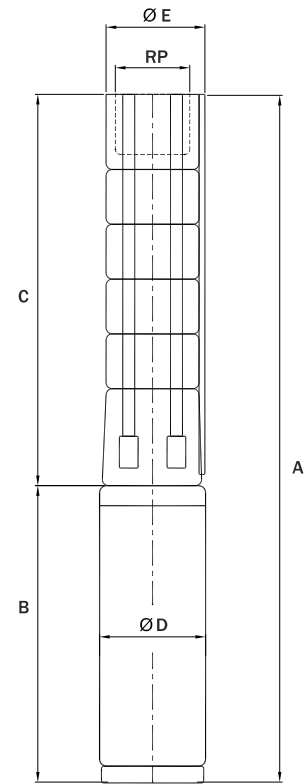
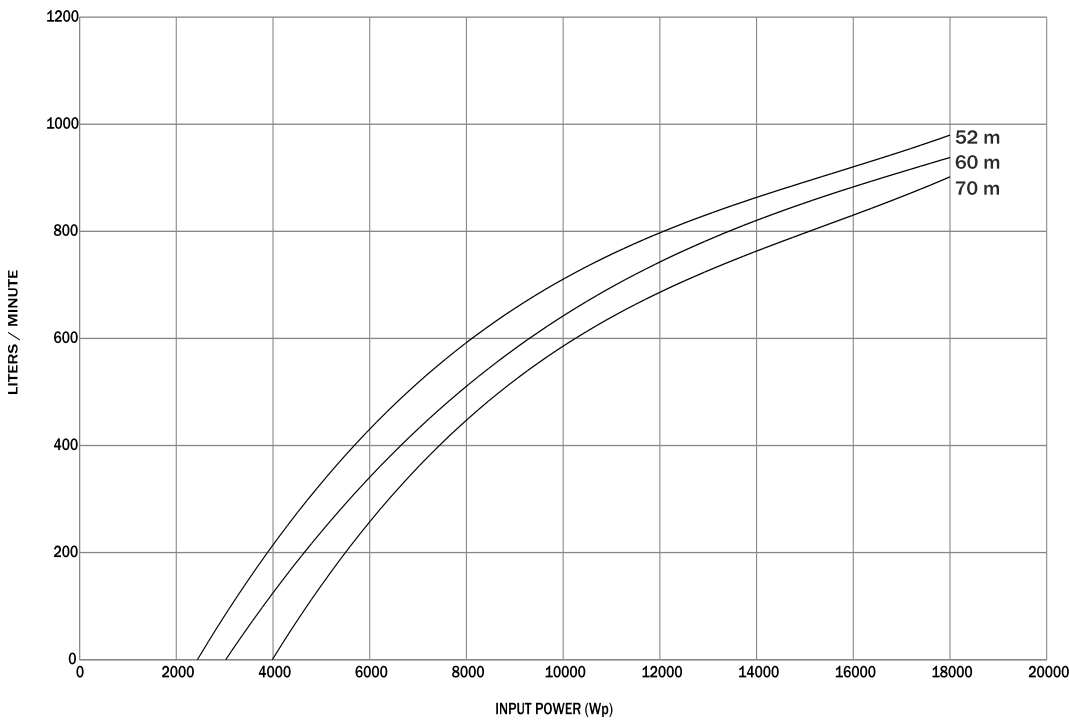
BSP 75 mm (6X6)

PUMPSET CODE : 9500001726

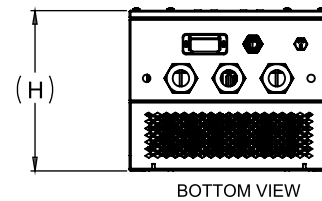
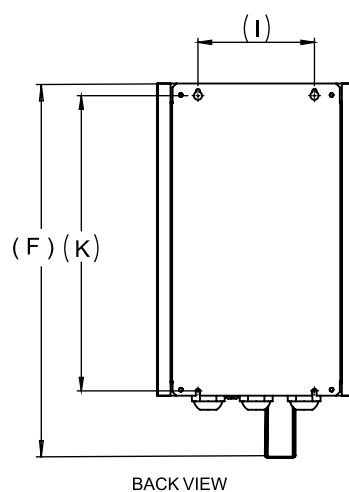
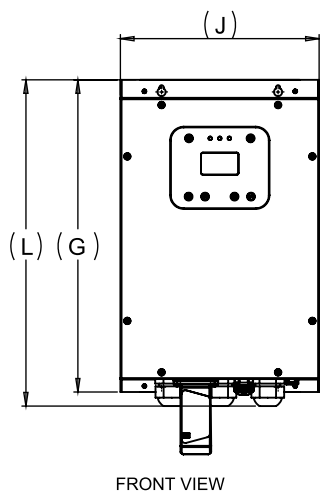
DISCHARGE (LPD) : 378000

DISCHARGE (LPW) : 21

DUTY HEAD : 70 METER



	INPUT POWER (Wp)						
	18000	14600	10900	7200	4000	3000	2400
HEAD (m)	FLOW IN LPM						
70	900	790	625	385	0		
60	938	840	690	450	120	0	
52	979	884	745	544	205	80	0



BOTTOM VIEW

CONTROLLER CODE : 9600000066

SOLAR PUMPING SYSTEM



SOLAR 43 DCSSP 18000

BSP 75 mm (6X6)

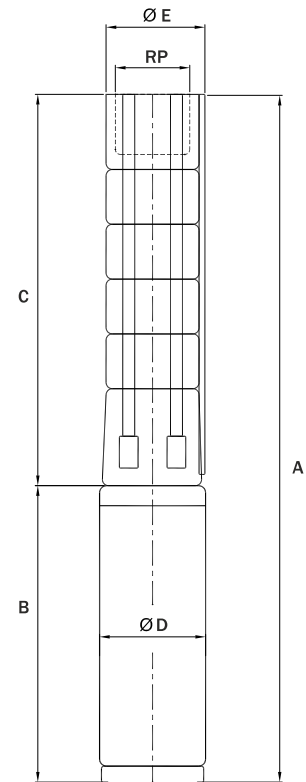
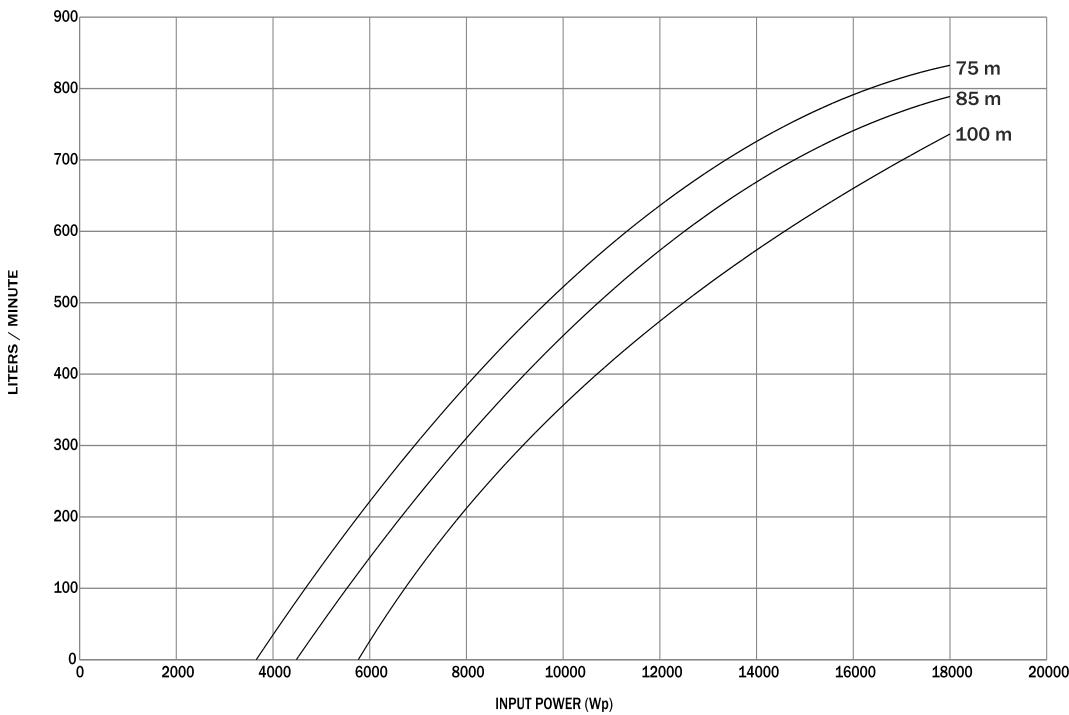
PUMPSET CODE : 9500001727

DISCHARGE (LPD) : 288000

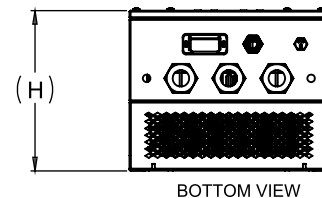
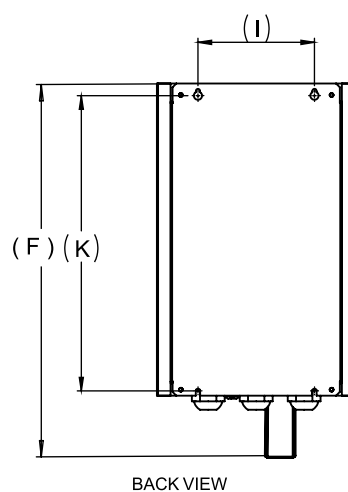
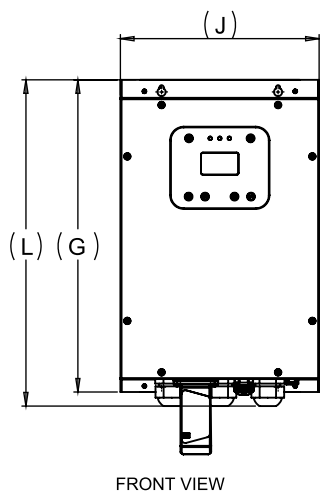
DISCHARGE (LPW) : 16

DUTY HEAD : 100 METER

CHOKE CODE : 9000023926



	INPUT POWER (Wp)						
	18000	14400	10800	9000	6000	4450	3750
HEAD (m)	FLOW IN LPM						
100	720	588	420	320	0		
85	790	680	515	380	138	0	
75	839	726	580	450	235	80	0



CONTROLLER CODE : 9600000066

SOLAR PUMPING SYSTEM



SOLAR 36 DCSSP18000

BSP 75 mm (6X6)

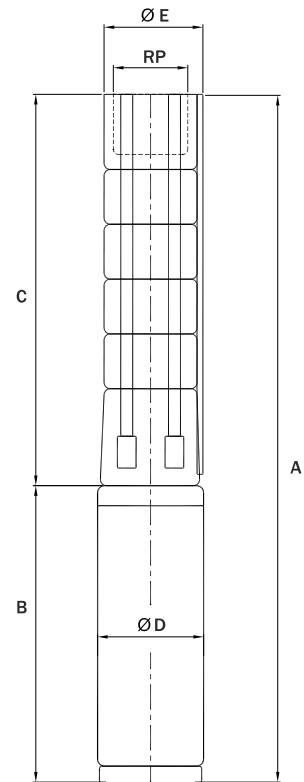
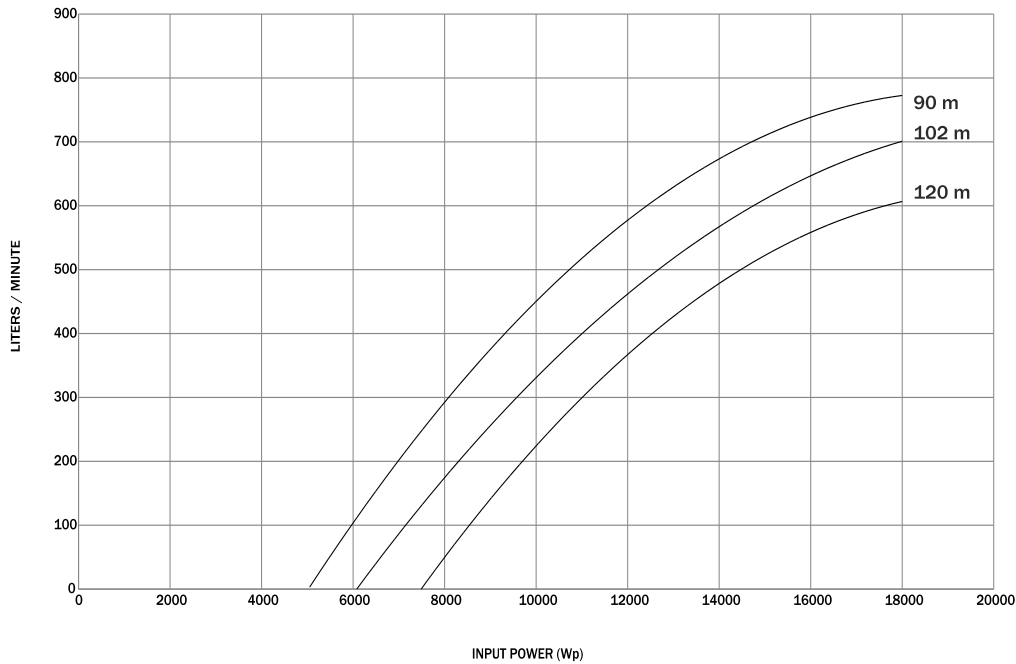
PUMPSET CODE : 9500000607

DISCHARGE (LPD) : 207000

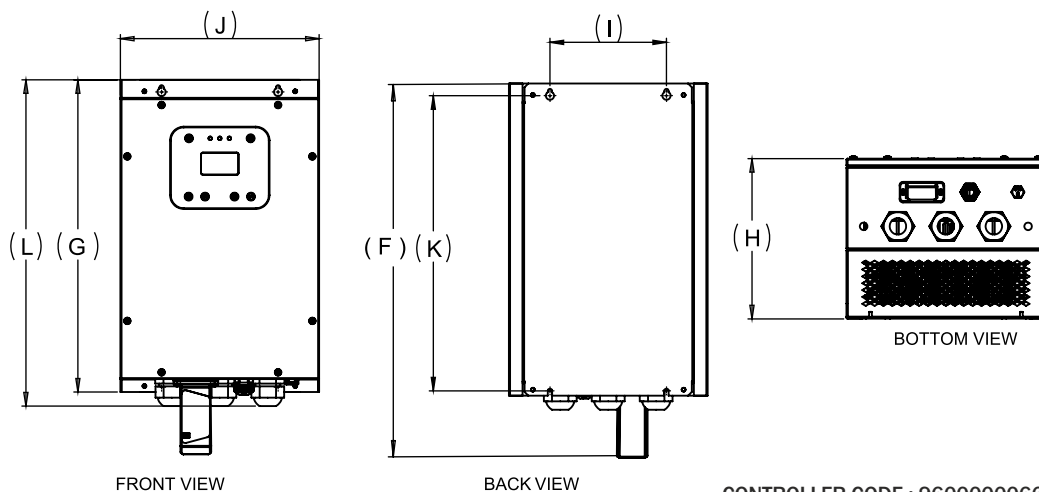
DISCHARGE (LPW) : 11.5

DUTY HEAD : 120 METER

CHOKE CODE : 9000023926



	INPUT POWER (Wp)						
	18000	15050	11450	8750	7750	6200	5200
HEAD (m)	FLOW IN LPM						
120	615	506	335	150	0		
102	710	595	425	262	150	0	
90	780	700	540	350	293	135	0



CONTROLLER CODE : 960000066

SOLAR PUMPING SYSTEM



SOLAR 20 DCSSP 18000

BSP 50 mm (6X6)

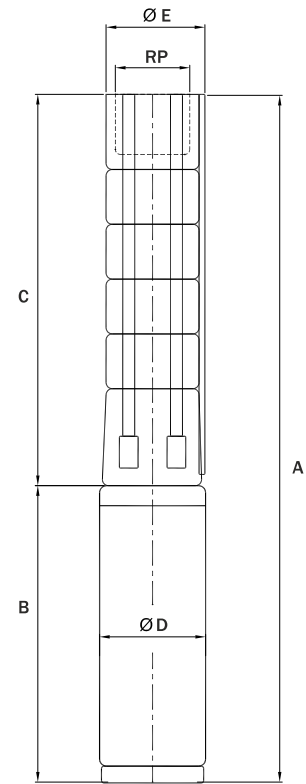
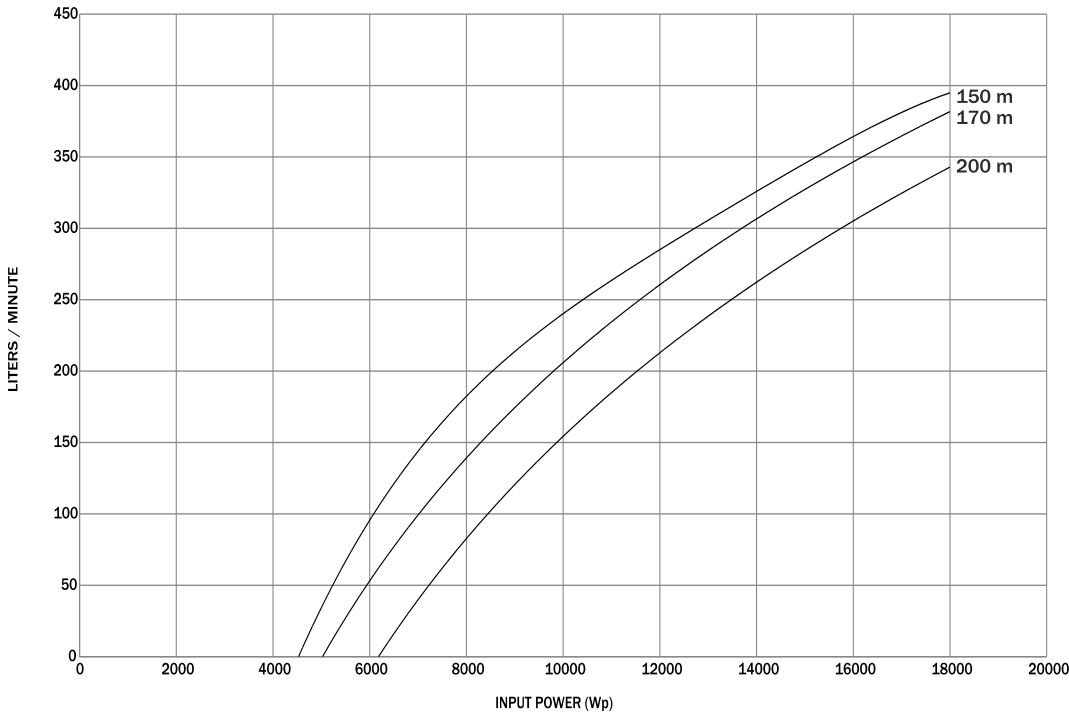
PUMPSET CODE : 9500001723

DISCHARGE (LPD) : 135000

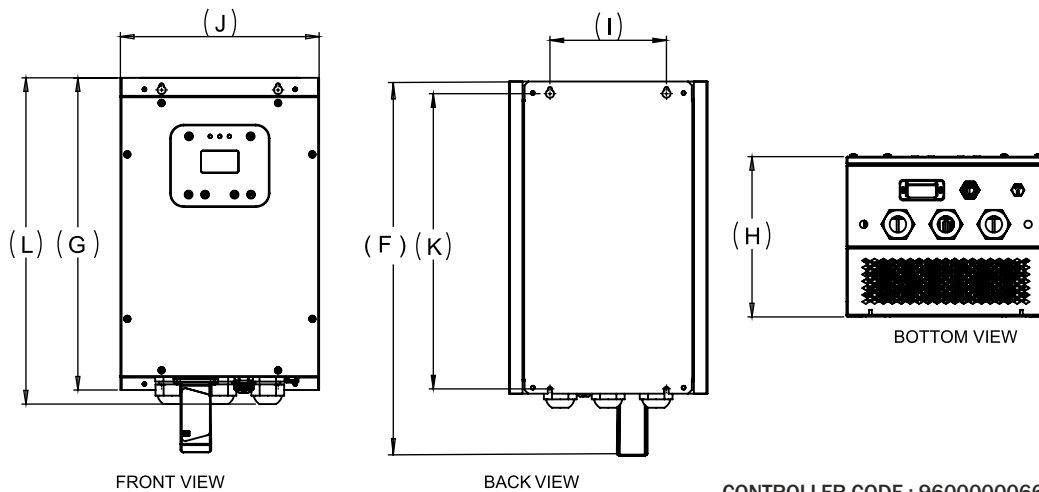
DISCHARGE (LPW) : 7.5

DUTY HEAD : 200 METER

CHOKE CODE : 9000023926



	INPUT POWER (Wp)						
	18000	14250	11700	8550	6350	5100	4600
HEAD (m)	FLOW IN LPM						
200	335	268	215	110	0		
170	370	320	260	160	70	0	
150	395	330	280	200	110	50	0



CONTROLLER CODE : 9600000066

SOLAR PUMPING SYSTEM



SOLAR 16 DCSSP 18000

BSP 50 mm (6X6)

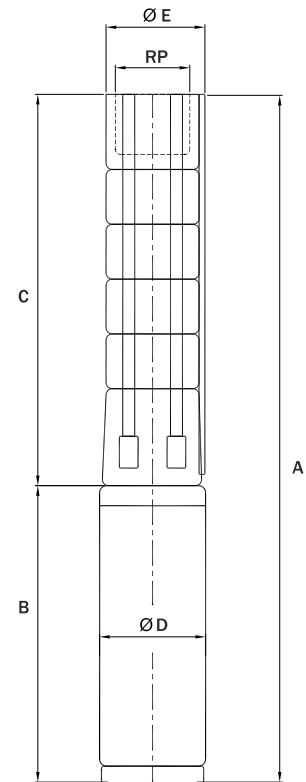
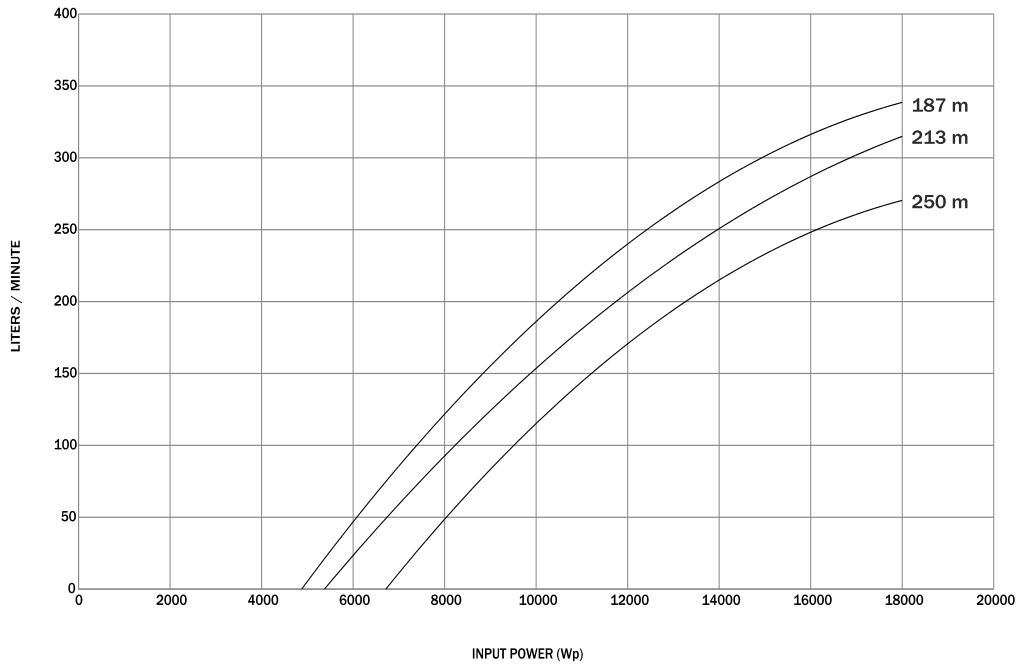
PUMPSET CODE : 9500000562

DISCHARGE (LPD) : 99000

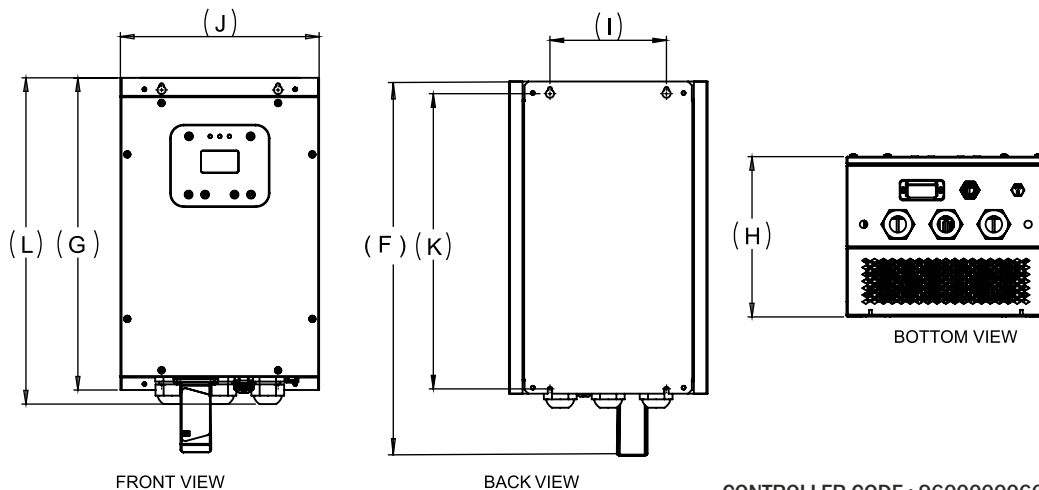
DISCHARGE (LPW) : 5.5

DUTY HEAD : 250 METER

CHOKE CODE : 9000023926



	INPUT POWER (Wp)						
	18000	14300	12250	9300	6950	5500	4800
HEAD (m)	FLOW IN LPM						
250	274	214	170	112	0		
213	317	255	205	142	60	0	
187	340	285	245	175	75	25	0



SOLAR PUMPING SYSTEM



SOLAR 13 DCSSP 18000

BSP 50 mm (6X6)

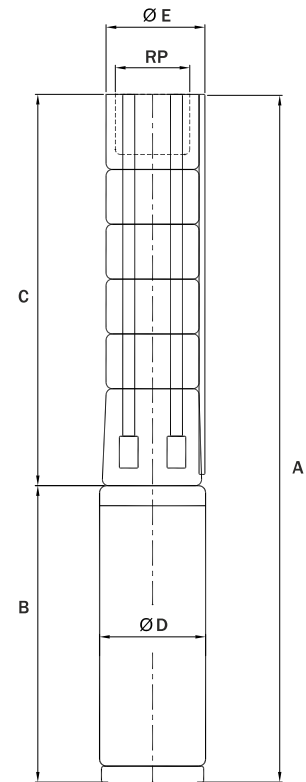
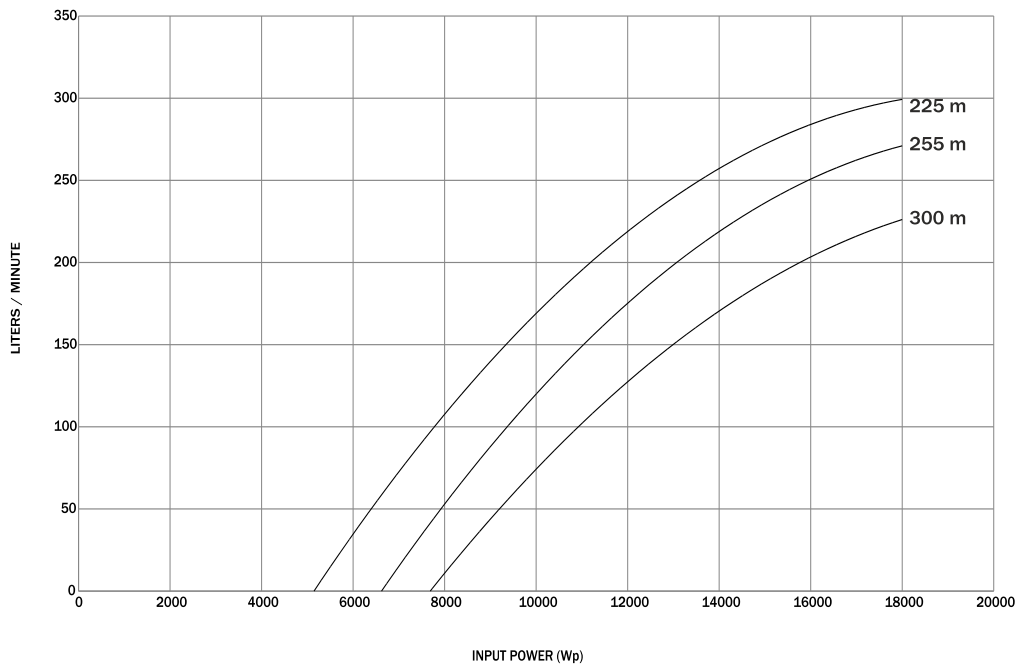
PUMPSET CODE : 9500000543

DISCHARGE (LPD) : 72000

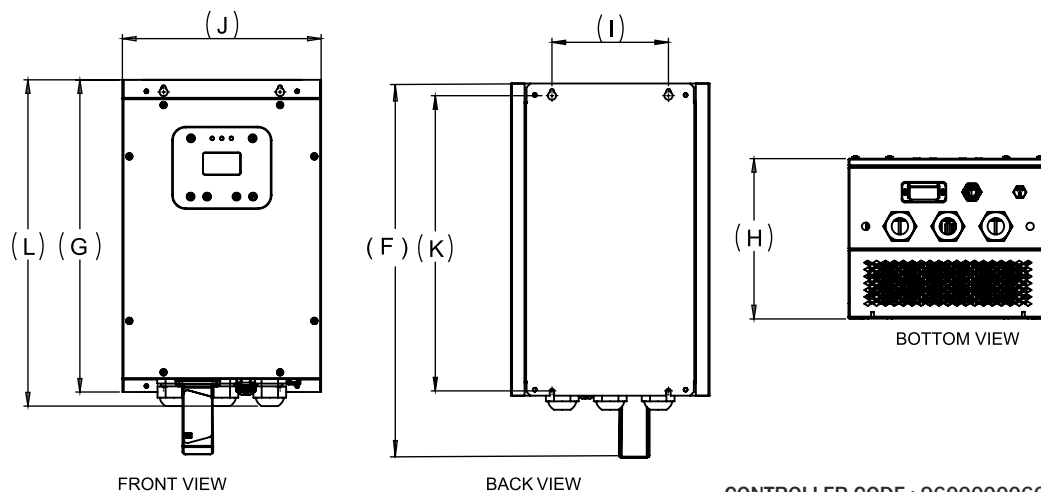
DISCHARGE (LPW) : 4

DUTY HEAD : 300 METER

CHOKE CODE : 9000023926



	INPUT POWER (Wp)						
	18000	14550	11300	9250	8000	6500	5350
HEAD (m)	FLOW IN LPM						
300	230	170	114	65	0		
255	273	220	173	90	45	0	
225	302	260	203	150	105	65	0

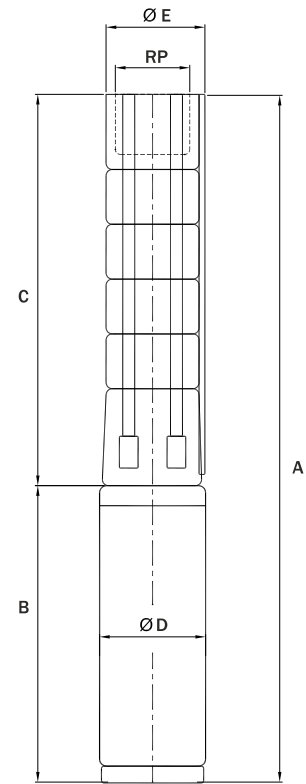
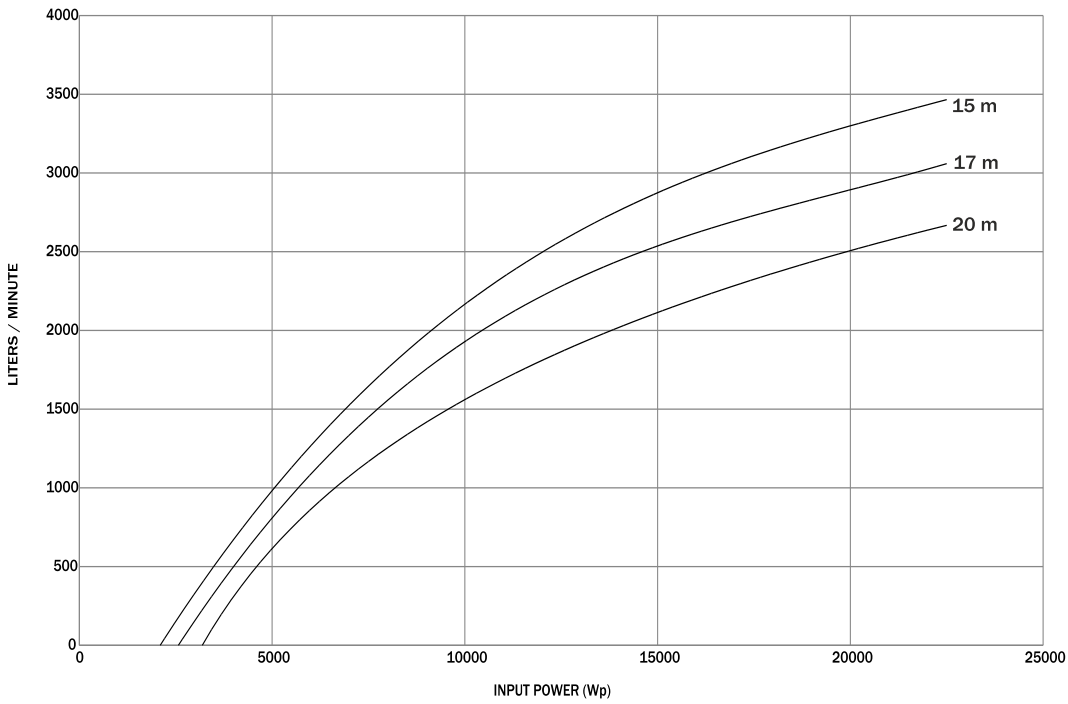


CONTROLLER CODE : 9600000066

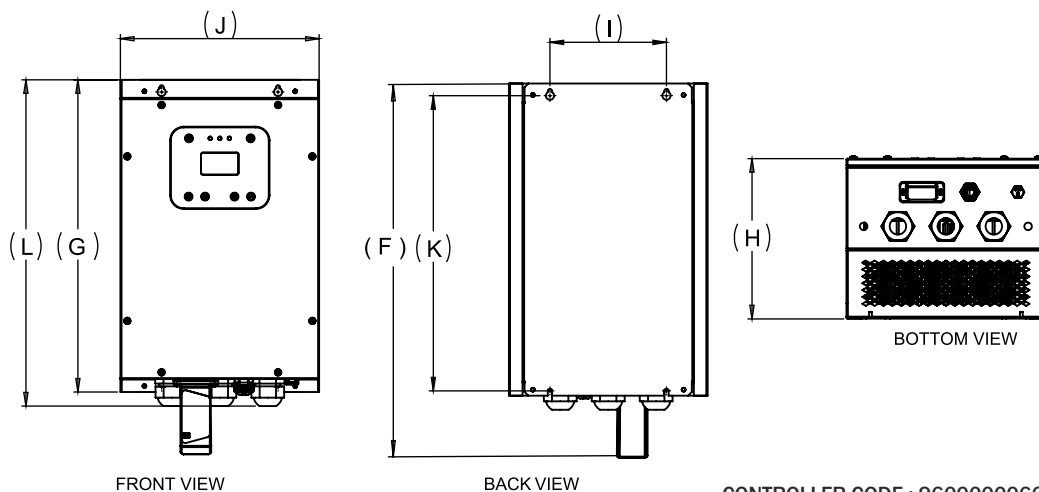
SOLAR PUMPING SYSTEM



SOLAR 156 DCSSP 22500
BSP 100 mm (6X8)
PUMPSET CODE : 9500000897
DISCHARGE (LPD) : 1462500
DISCHARGE (LPW) : 65
DUTY HEAD : 20 METER



	INPUT POWER (Wp)						
	22500	15750	9000	4500	3350	2600	2200
HEAD (m)	FLOW IN LPM						
20	2600	2210	1490	500	0		
17	3059	2600	1753	650	300	0	
15	3467	2947	1987	800	450	250	0

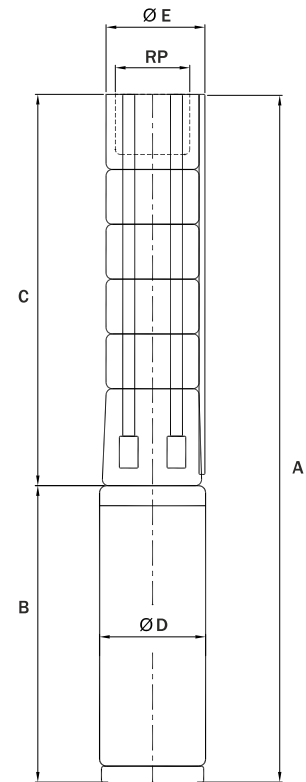
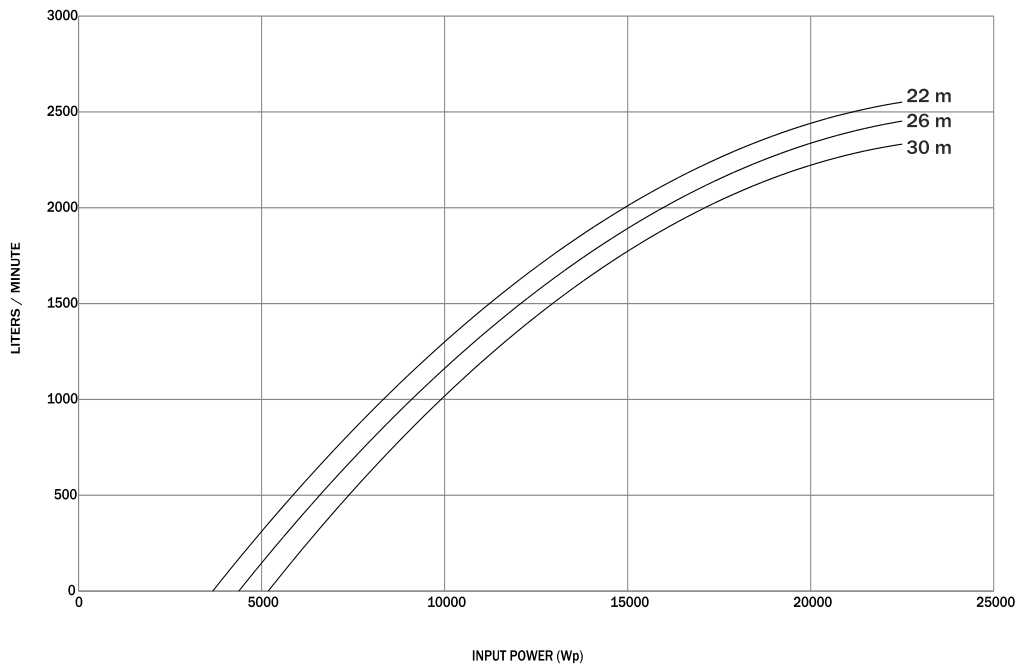


CONTROLLER CODE : 9600000066

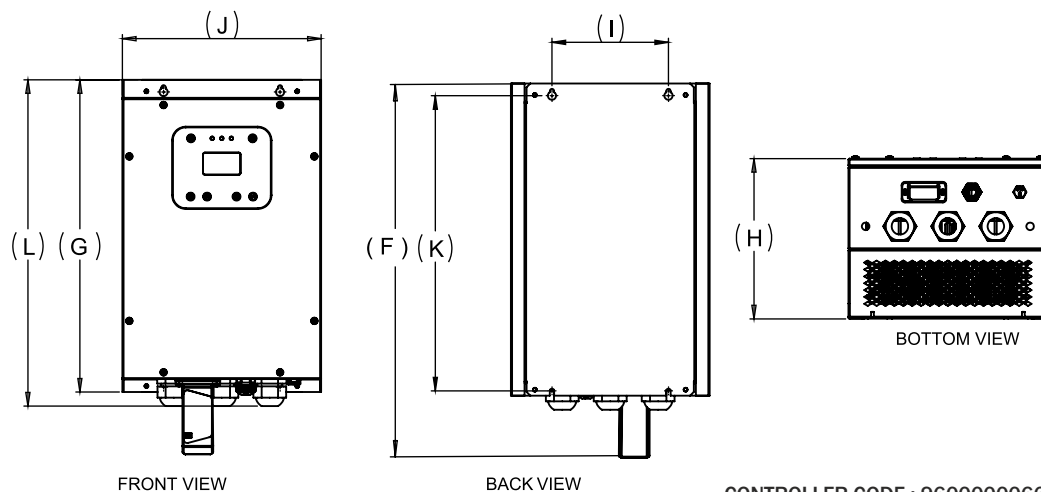
SOLAR PUMPING SYSTEM



SOLAR 140 DCSSP 22500
BSP 125 mm (6X8)
PUMPSET CODE : 9500000894
DISCHARGE (LPD) : 1068750
DISCHARGE (LPW) : 47.5
DUTY HEAD : 30 METER



	INPUT POWER (Wp)						
	22500	18100	13600	6950	5400	4700	3800
HEAD (m)	FLOW IN LPM						
30	2350	2050	1600	470	0		
26	2475	2165	1700	670	250	0	
22	2565	2300	1800	820	400	220	0



CONTROLLER CODE : 9600000066

SOLAR PUMPING SYSTEM



SOLAR 93 DCSSP 22500

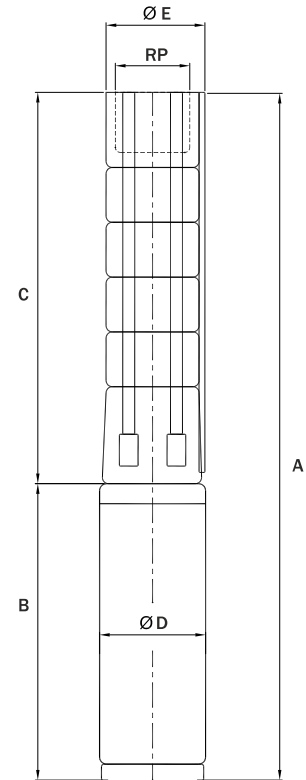
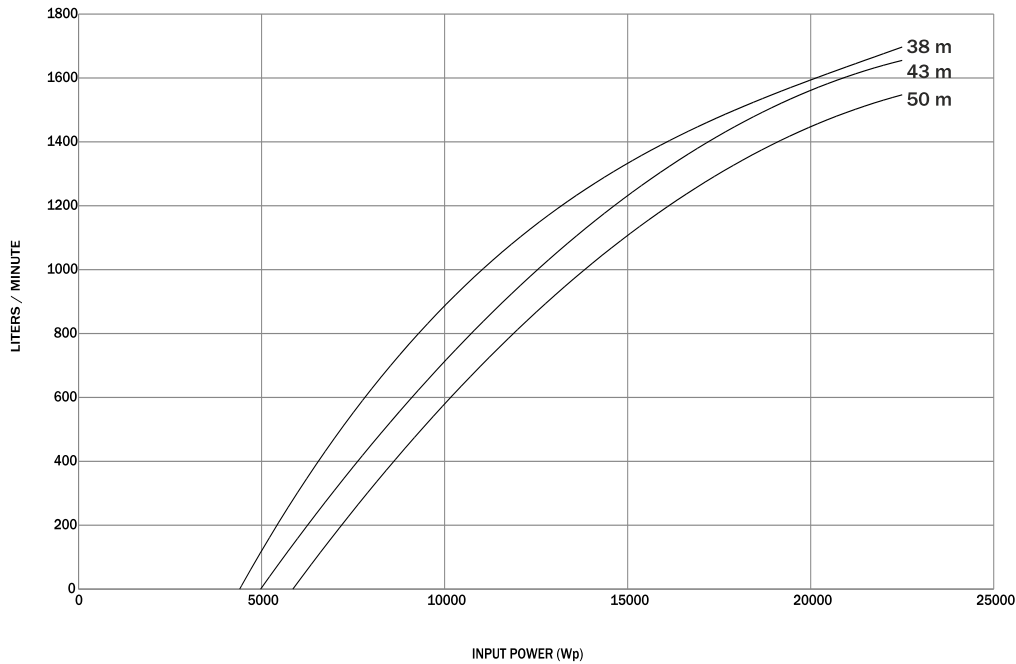
BSP 100 mm (6X6)

PUMPSET CODE : 9500000637

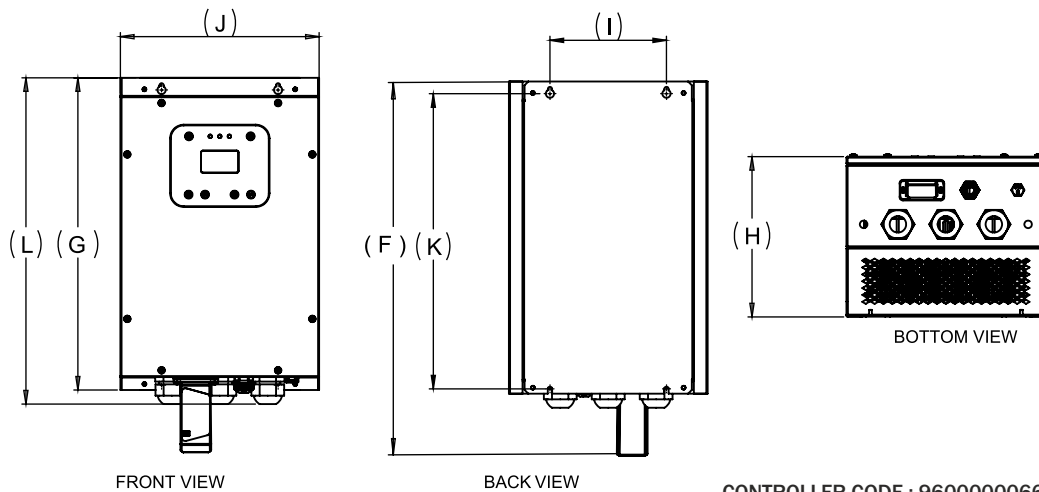
DISCHARGE (LPD) : 641250

DISCHARGE (LPW) : 28.5

DUTY HEAD : 50 METER



	INPUT POWER (Wp)						
	22500	16600	10700	7900	6050	5000	4250
HEAD (m)	FLOW IN LPM						
50	1555	1215	670	340	0		
43	1650	1370	800	400	200	0	
38	1700	1415	1000	600	290	100	0



CONTROLLER CODE : 960000066

SOLAR PUMPING SYSTEM



SOLAR 72 DCSSP 22500

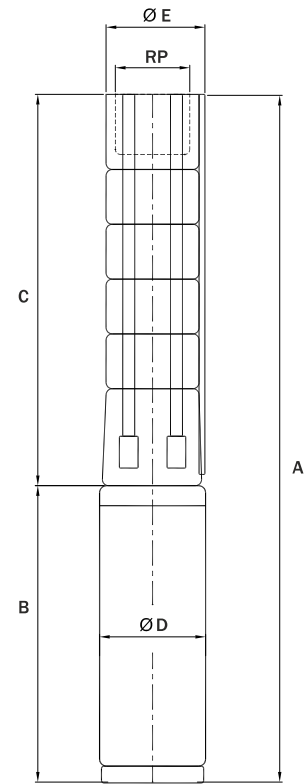
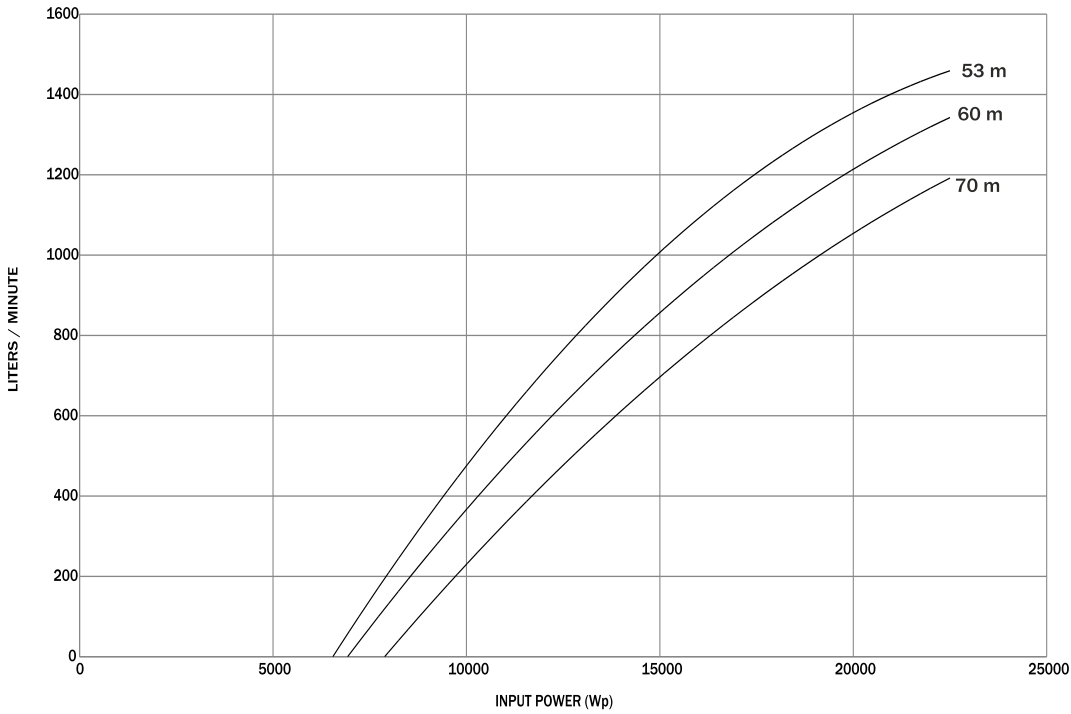
BSP 100 mm (6X6)

PUMPSET CODE : 9500000881

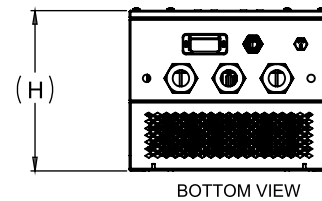
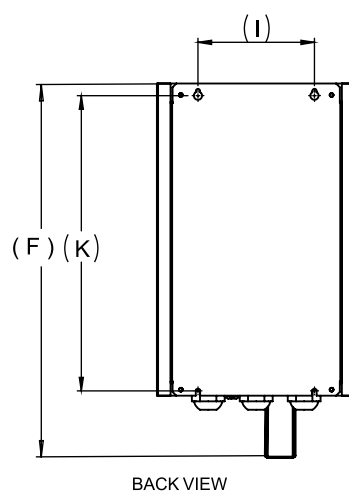
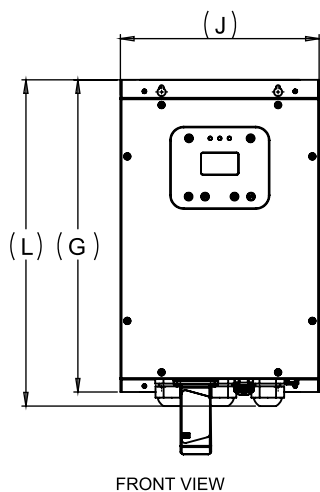
DISCHARGE (LPD) : 405000

DISCHARGE (LPW) : 18

DUTY HEAD : 70 METER



	INPUT POWER (Wp)						
	22500	18000	11200	9000	8100	6750	6300
HEAD (m)	FLOW IN LPM						
70	1200	905	370	140	0		
60	1330	1115	475	250	130	0	
53	1430	1300	600	300	200	50	0



CONTROLLER CODE : 9600000066

SOLAR PUMPING SYSTEM



SOLAR 48 DCSSP 22500

BSP 75 mm (6X6)

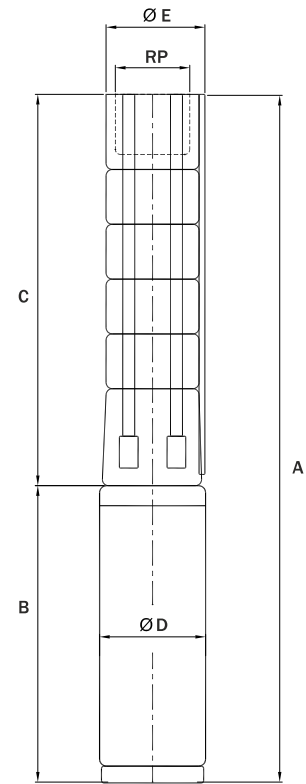
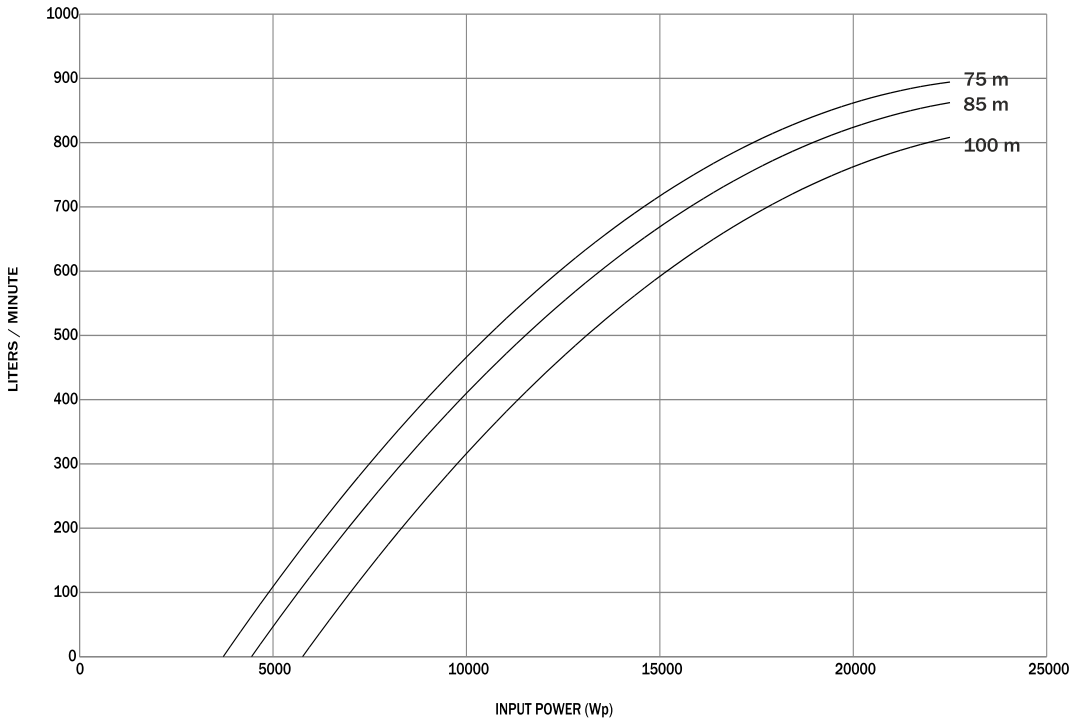
PUMPSET CODE : 9500001748

DISCHARGE (LPD) : 348750

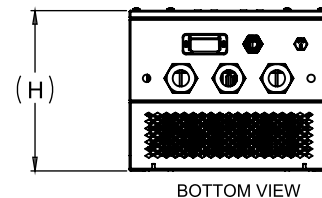
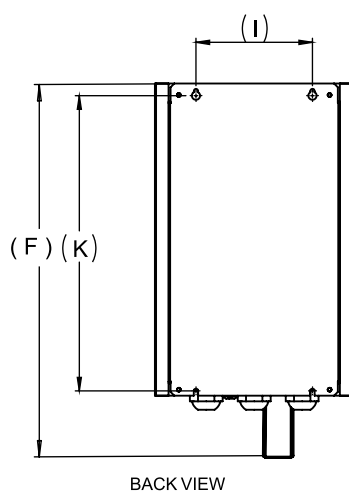
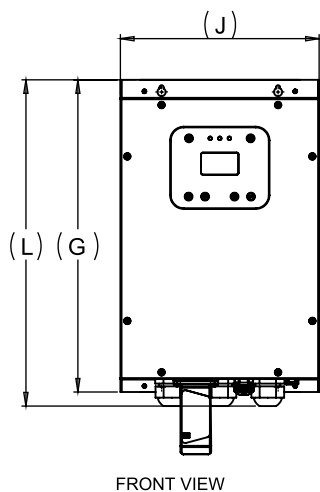
DISCHARGE (LPW) : 15.5

DUTY HEAD : 100 METER

CHOKE CODE : 9000023926



	INPUT POWER (Wp)						
	22500	18000	13500	6700	6050	4800	4000
HEAD (m)	FLOW IN LPM						
100	815	690	530	100	0		
85	872	755	605	200	150	0	
75	905	796	655	260	200	100	0



CONTROLLER CODE : 9600000066

SOLAR PUMPING SYSTEM



SOLAR 44 DCSSP 22500

BSP 75 mm (6X6)

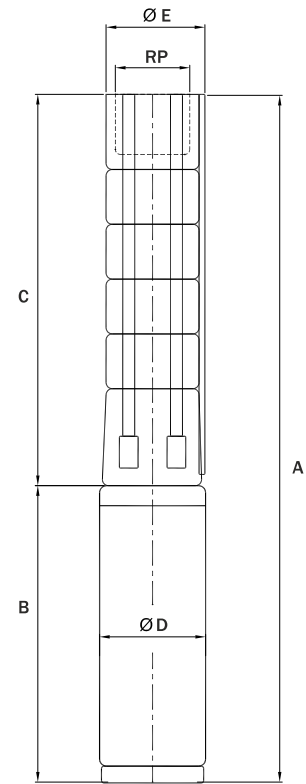
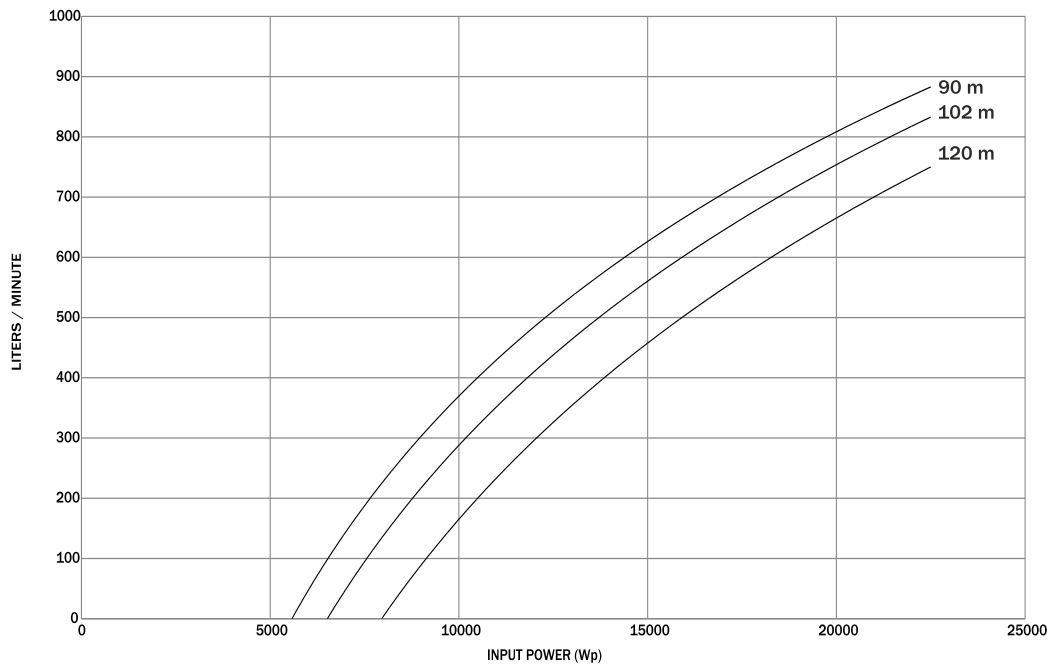
PUMPSET CODE : 9500001716

DISCHARGE (LPD) : 270000

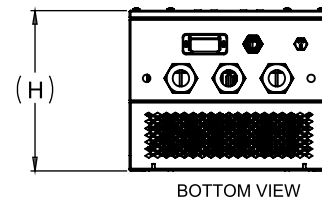
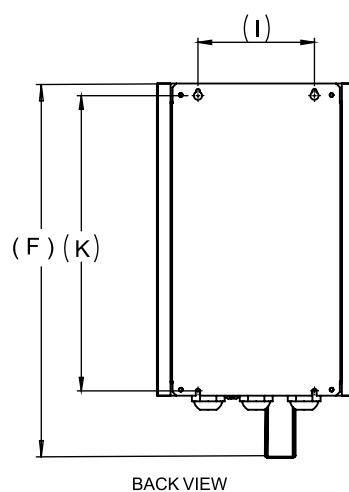
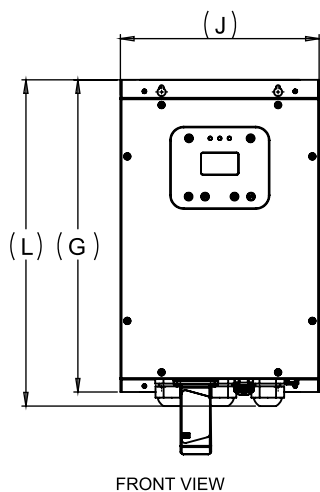
DISCHARGE (LPW) : 12

DUTY HEAD : 120 METER

CHOKE CODE : 9000023926



	INPUT POWER (Wp)						
	22500	18000	13450	9000	8350	7000	6000
HEAD (m)	FLOW IN LPM						
120	735	590	405	112	0		
102	815	680	505	255	180	0	
90	865	735	575	340	250	165	0



CONTROLLER CODE : 9600000066

SOLAR PUMPING SYSTEM



SOLAR 26 DCSSP 22500

BSP 50 mm (6X6)

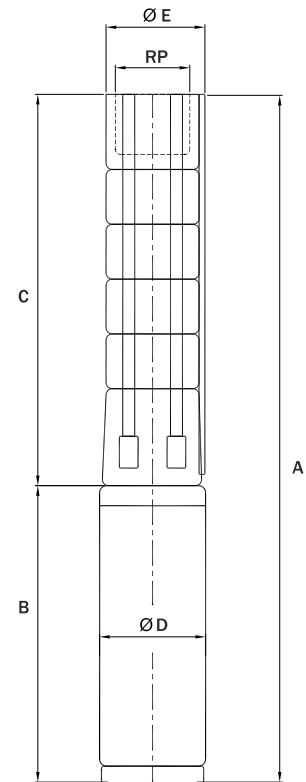
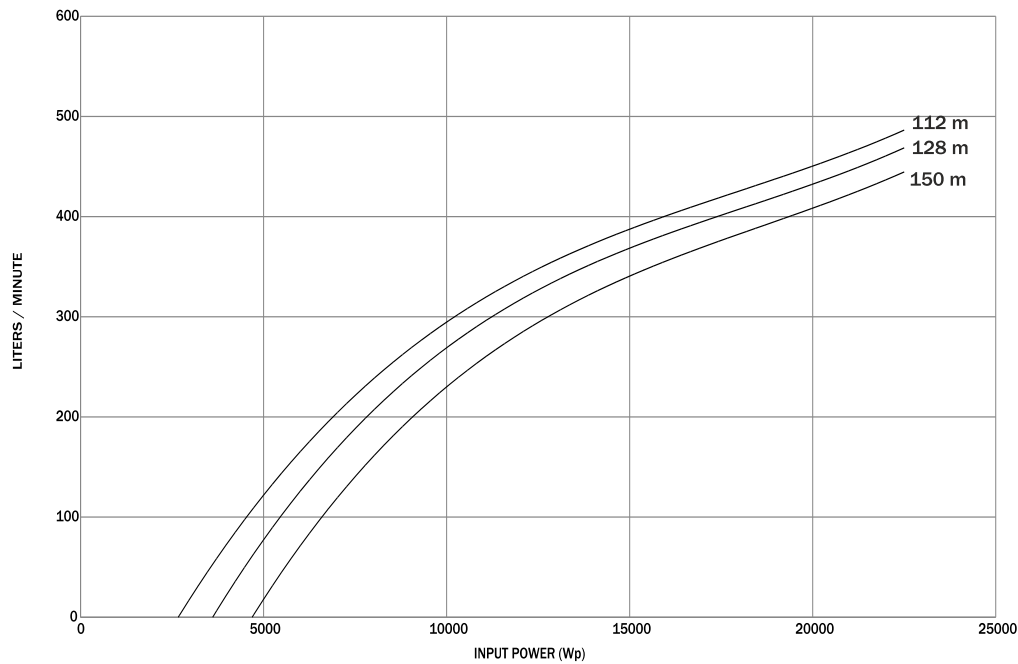
PUMPSET CODE : 9500000860

DISCHARGE (LPD) : 202500

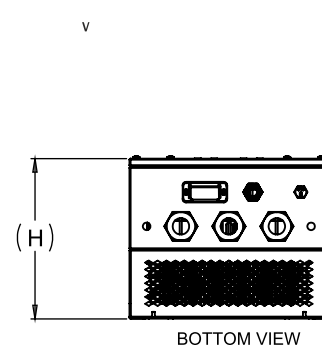
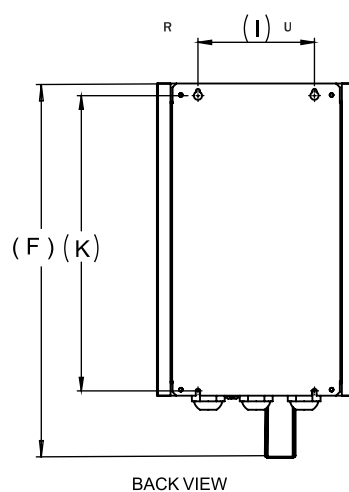
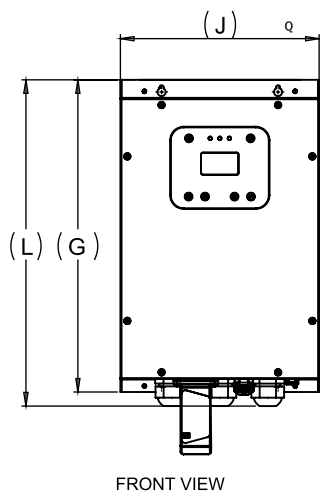
DISCHARGE (LPW) : 9

DUTY HEAD : 150 METER

CHOKE CODE : 9000023926



	INPUT POWER (Wp)						
	22500	18000	13450	9000	4700	3600	2800
HEAD (m)	FLOW IN LPM						
150	444	385	310	200	0		
128	468	410	340	243	60	0	
112	485	430	360	267	110	60	0



CONTROLLER CODE : 9600000066

SOLAR PUMPING SYSTEM



SOLAR 23 DCSSP 22500

BSP 50 mm (6X6)

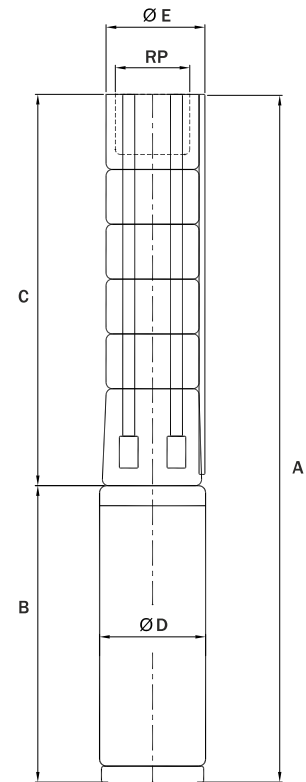
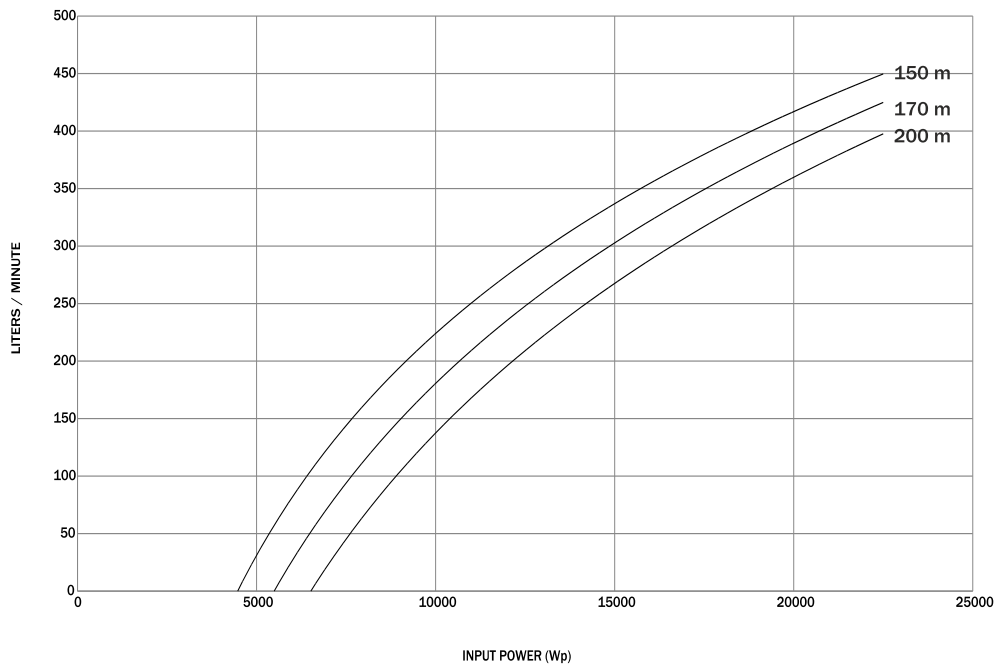
PUMPSET CODE : 9500000837

DISCHARGE (LPD) : 157500

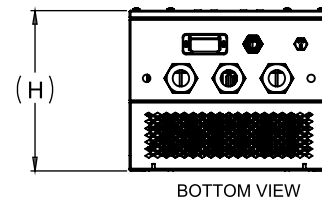
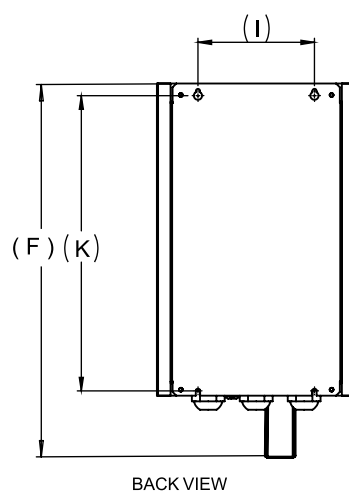
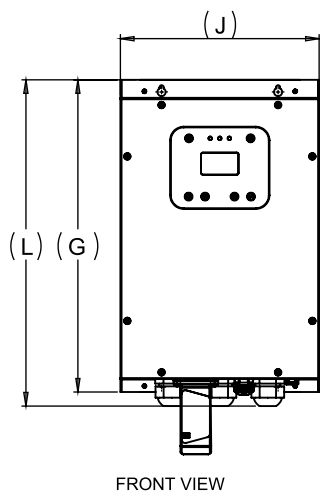
DISCHARGE (LPW) : 7

DUTY HEAD : 200 METER

CHOKE CODE : 9000023926



	INPUT POWER (Wp)						
	22500	18000	13500	11200	6700	5600	4700
HEAD (m)	FLOW IN LPM						
200	390	325	240	185	0		
170	422	360	282	200	70	0	
150	444	385	310	260	130	60	0



CONTROLLER CODE : 9600000066

SOLAR PUMPING SYSTEM



SOLAR 19 DCSSP 22500

BSP 50 mm (6X6)

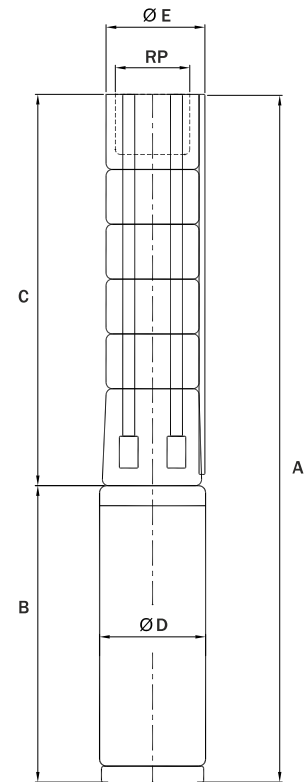
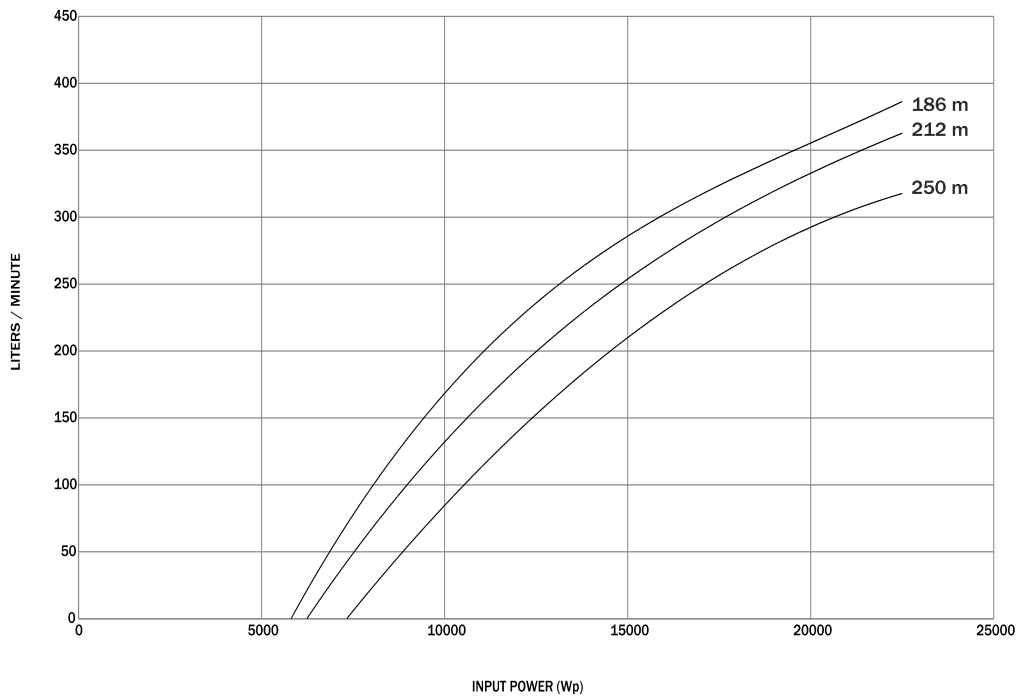
PUMPSET CODE : 9500001715

DISCHARGE (LPD) : 123750

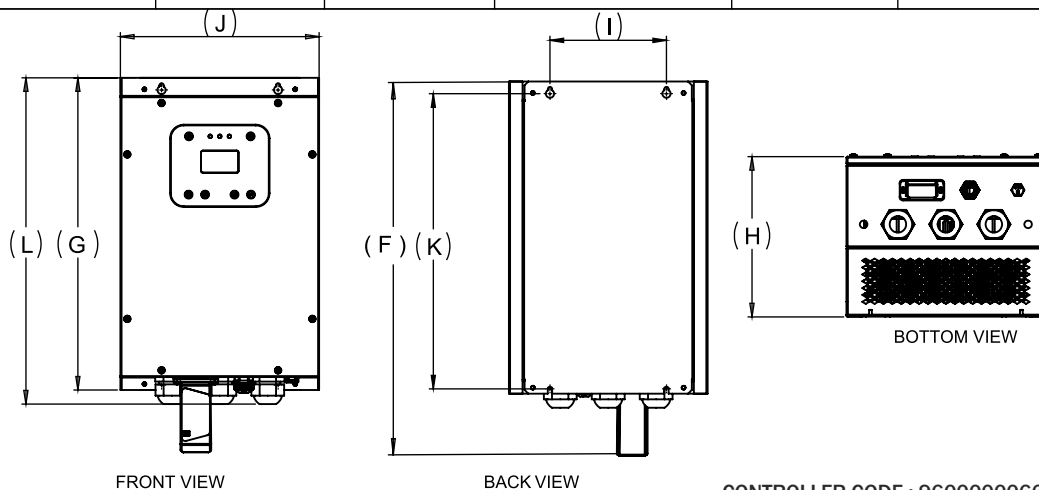
DISCHARGE (LPW) : 5.5

DUTY HEAD : 250 METER

CHOKE CODE : 9000023926



HEAD (m)	INPUT POWER (Wp)						
	22500	18000	13500	9400	7600	6200	6000
	FLOW IN LPM						
250	320	260	175	80	0		
212	363	304	224	114	50	0	
186	386	332	255	151	80	30	0



CONTROLLER CODE : 9600000066

SOLAR PUMPING SYSTEM



SOLAR 16 DCSSP 22500

BSP 50 mm (6X6)

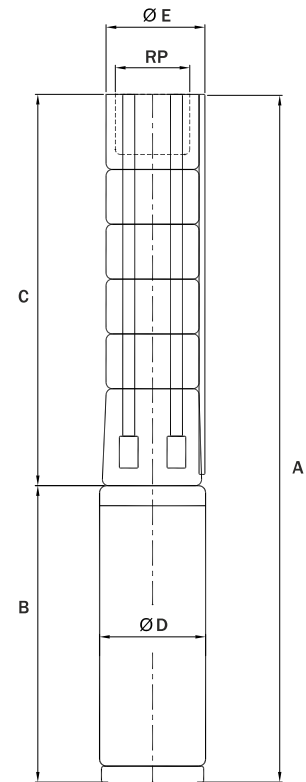
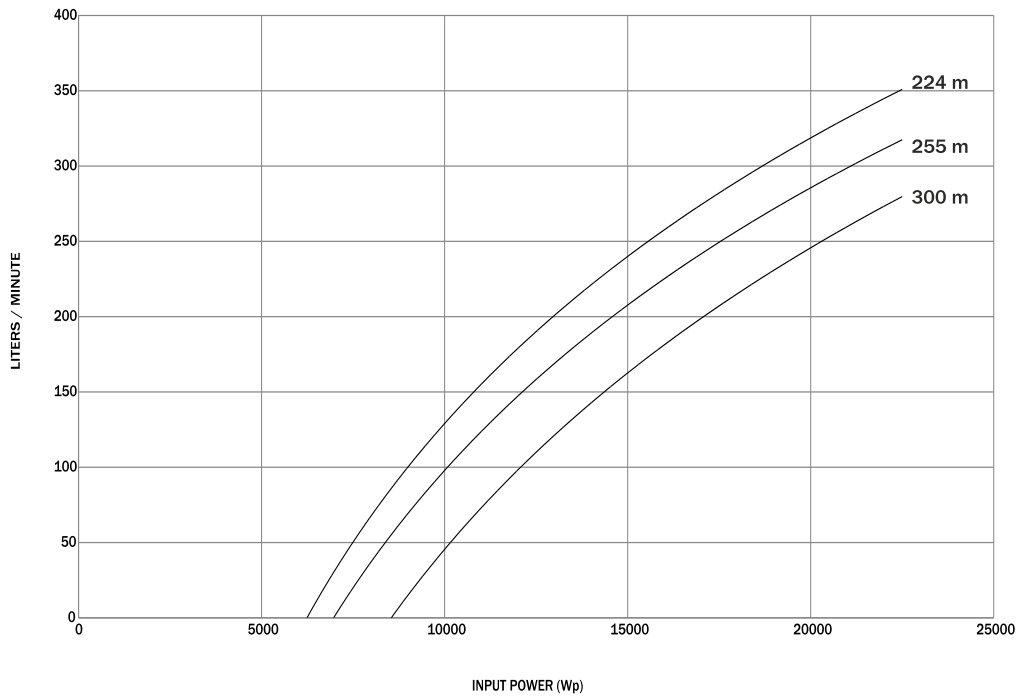
PUMPSET CODE : 9500000851

DISCHARGE (LPD) : 90000

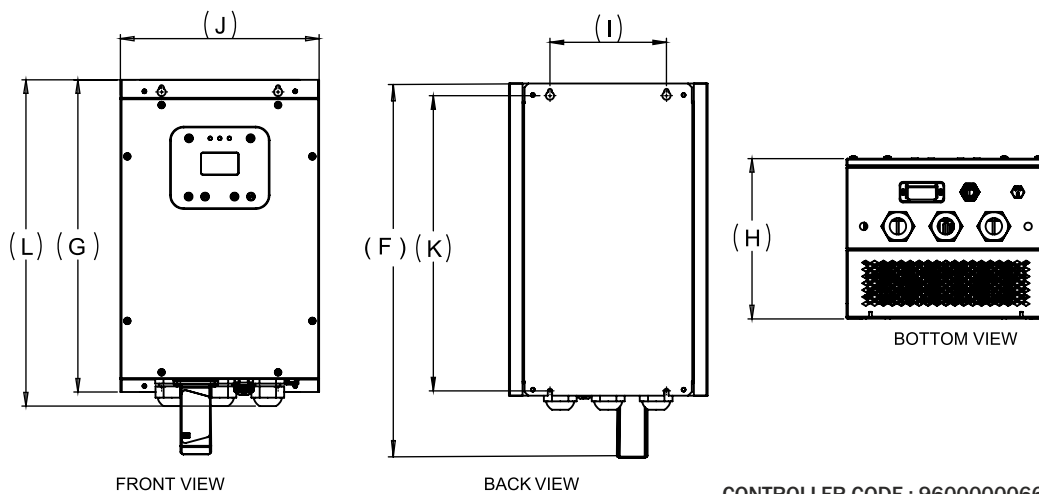
DISCHARGE (LPW) : 4

DUTY HEAD : 300 METER

CHOKE CODE : 9000023926



	INPUT POWER (Wp)						
	22500	18000	13500	11200	8989	7200	6500
HEAD (m)	FLOW IN LPM						
300	275	210	146	89	0		
255	317	255	178	130	80	0	
224	347	288	212	165	110	40	0

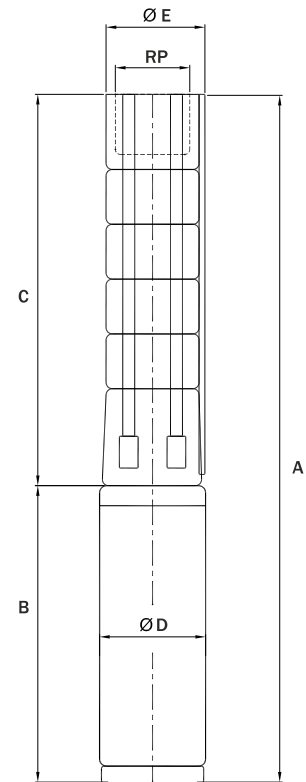
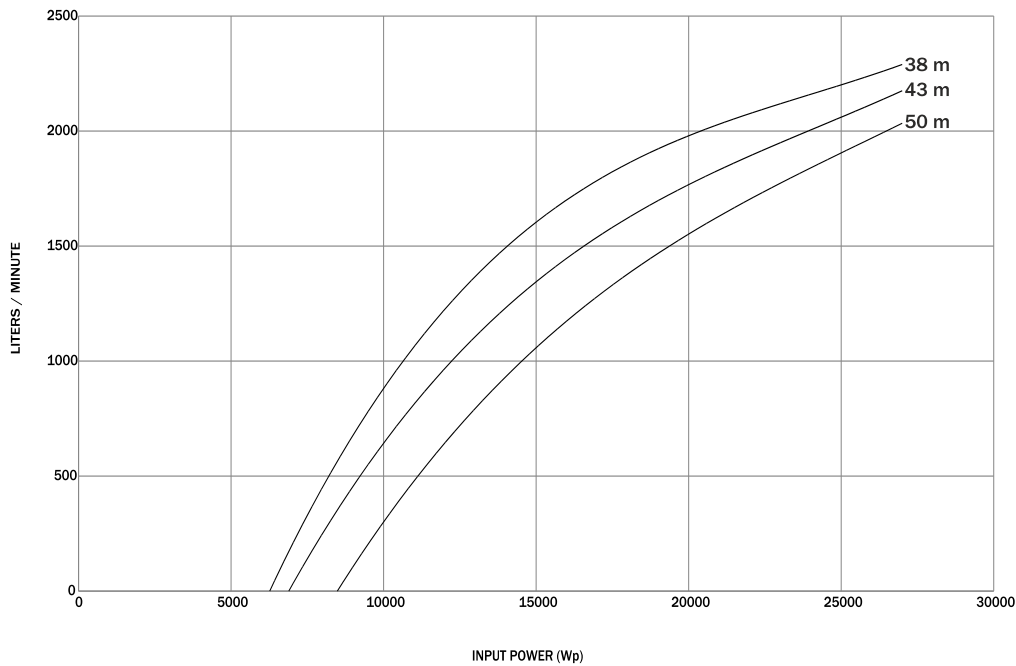


CONTROLLER CODE : 9600000066

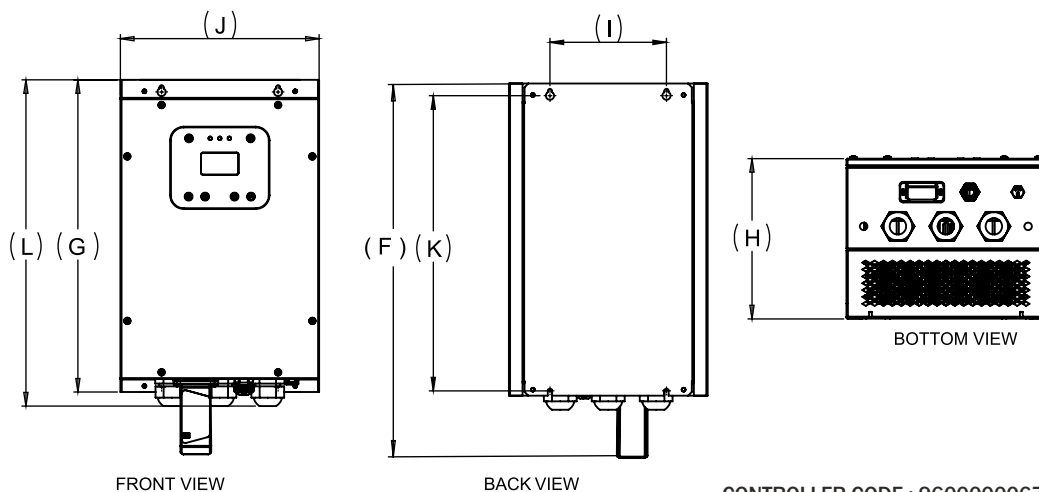
SOLAR PUMPING SYSTEM



SOLAR 121 DCSSP 27000
BSP 100 mm (6X8)
PUMPSET CODE : 9500000893
DISCHARGE (LPD) : 769500
DISCHARGE (LPW) : 28.5
DUTY HEAD : 50 METER



	INPUT POWER (Wp)						
	27000	22140	14210	10440	8620	6850	6170
HEAD (m)	FLOW IN LPM						
50	2030	1725	925	435	0		
43	2175	1900	1250	745	350	0	
38	2290	2080	1520	960	610	120	0



CONTROLLER CODE : 9600000067

SOLAR PUMPING SYSTEM



SOLAR 84 DCSSP 27000

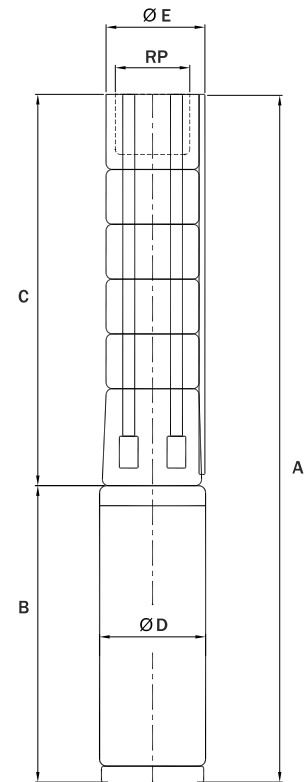
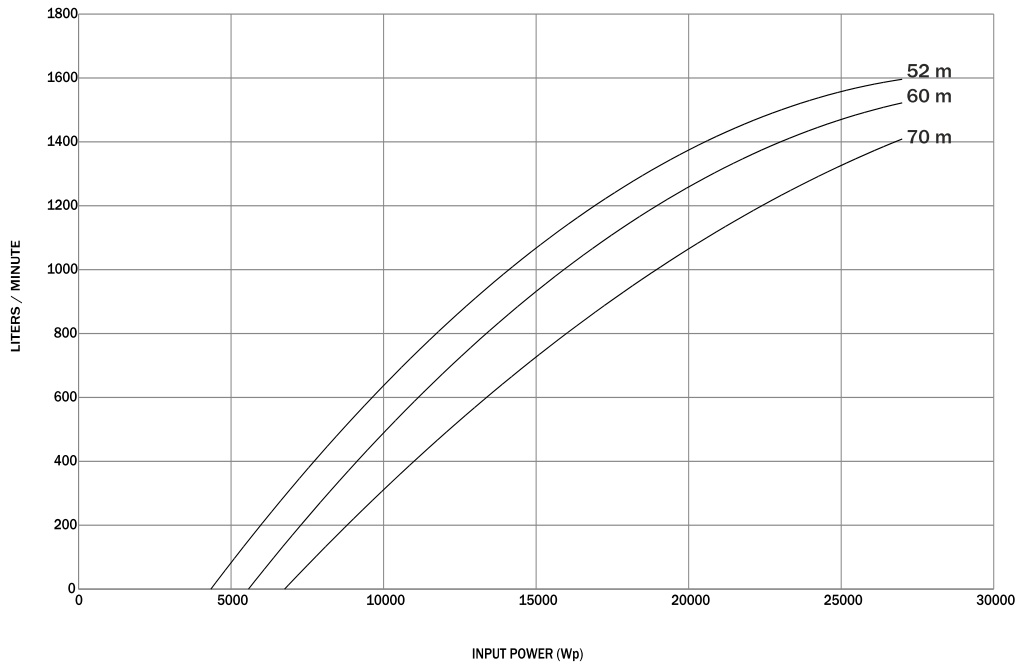
BSP 100 mm (6X6)

PUMPSET CODE : 9500000889

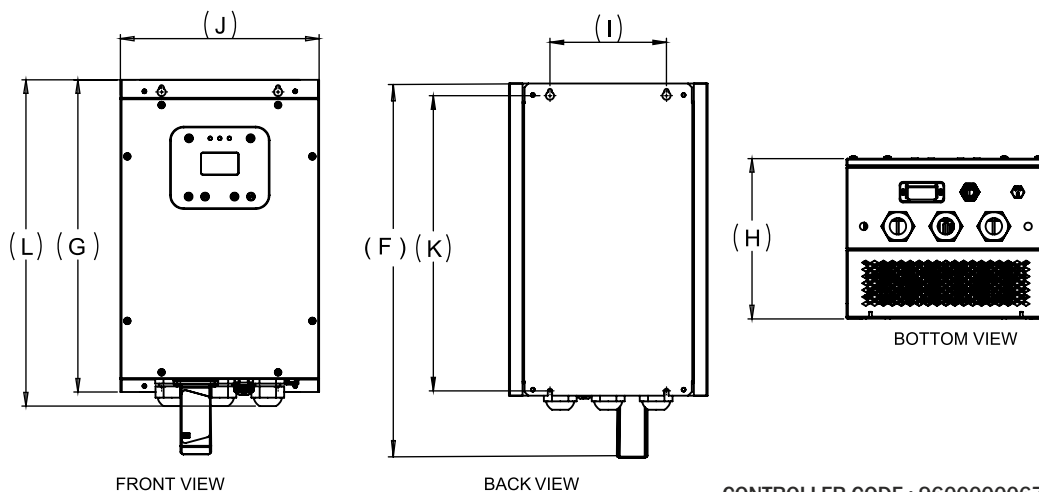
DISCHARGE (LPD) : 526500

DISCHARGE (LPW) : 19.5

DUTY HEAD : 70 METER



	INPUT POWER (Wp)						
	27000	21550	16200	8050	6700	5800	4800
HEAD (m)	FLOW IN LPM						
70	1410	1150	820	120	0		
60	1530	1320	1025	300	150	0	
52	1615	1410	1150	470	310	195	0

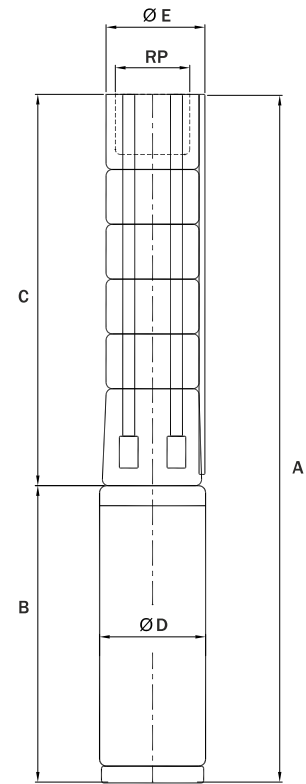
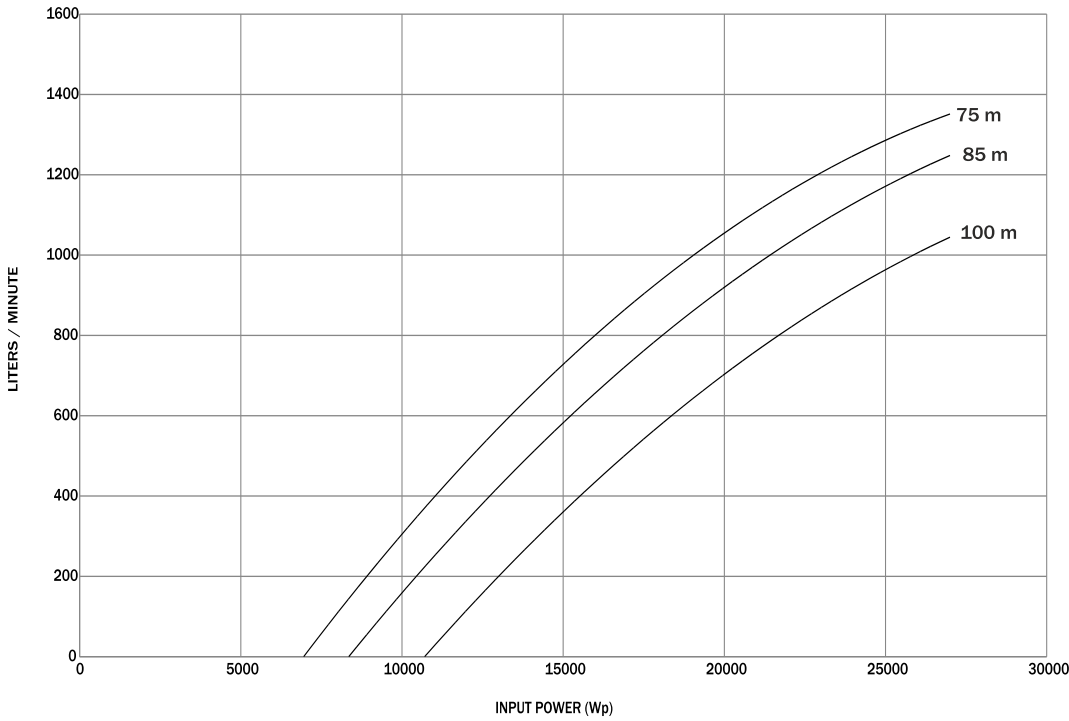


CONTROLLER CODE : 9600000067

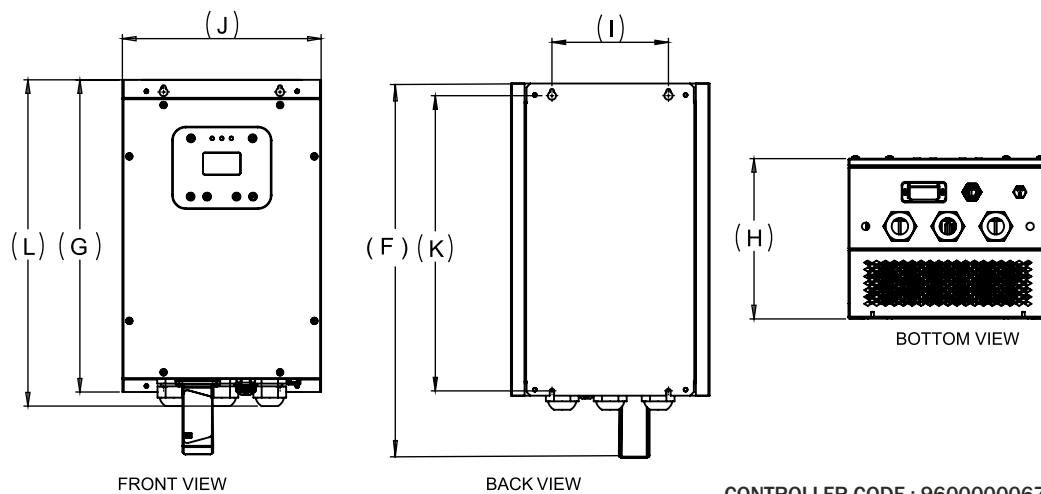
SOLAR PUMPING SYSTEM



SOLAR 64.5 DCSSP 27000
BSP 100 mm (6X6)
PUMPSET CODE : 9500001720
DISCHARGE (LPD) : 337500
DISCHARGE (LPW) : 12.5
DUTY HEAD : 100 METER
CHOKE CODE : 9000023926



	INPUT POWER (Wp)						
	27000	21600	16200	13500	10800	8500	7000
HEAD (m)	FLOW IN LPM						
100	1050	780	460	250	0		
85	1250	1010	650	480	250	0	
75	1355	1135	800	620	400	150	0



SOLAR PUMPING SYSTEM



SOLAR 60 DCSSP 27000

BSP 75 mm (6X6)

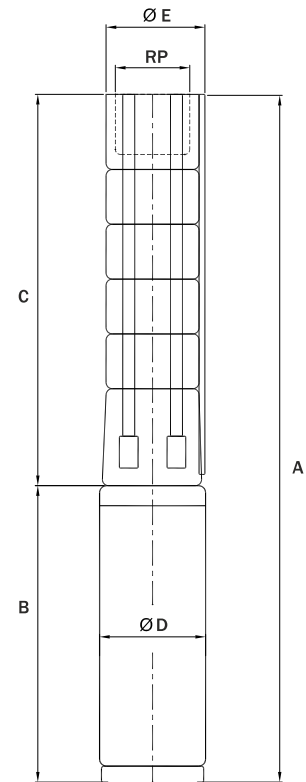
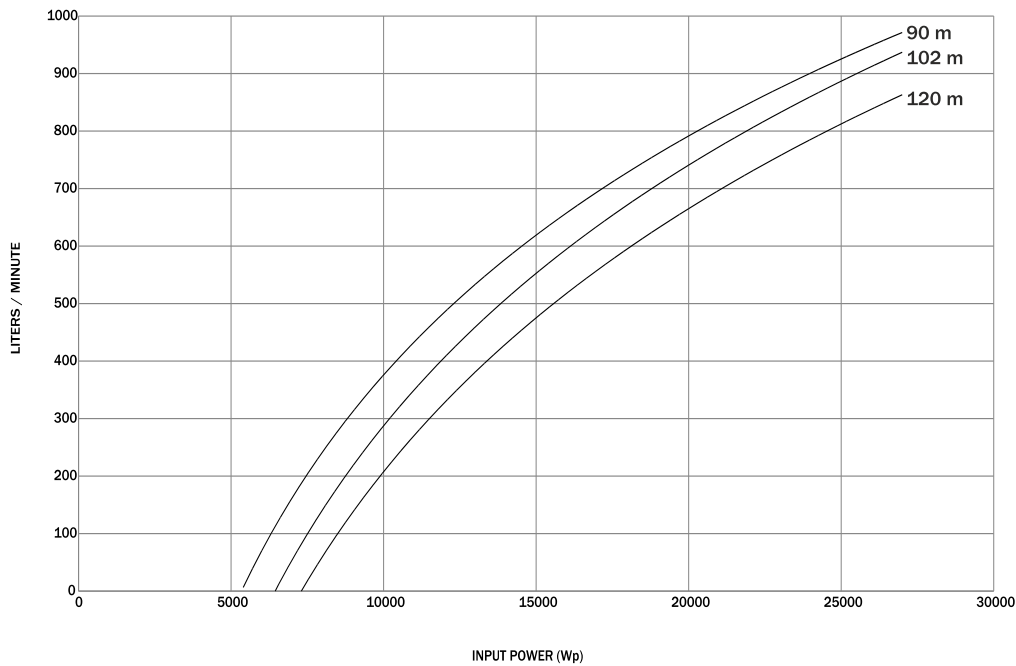
PUMPSET CODE : 9500000877

DISCHARGE (LPD) : 351000

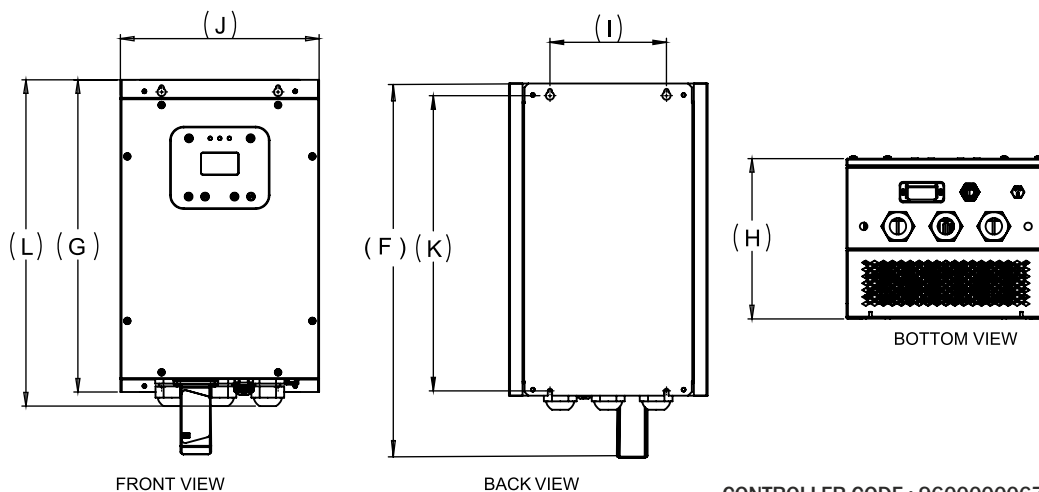
DISCHARGE (LPW) : 13

DUTY HEAD : 120 METER

CHOKE CODE : 9000023926



	INPUT POWER (Wp)						
	27000	21550	16200	10800	7600	6800	6000
HEAD (m)	FLOW IN LPM						
120	850	713	535	290	0		
102	910	785	625	390	100	0	
90	950	830	680	455	210	195	0



CONTROLLER CODE : 9600000067

SOLAR PUMPING SYSTEM



SOLAR 43 DCSSP 27000

BSP 75 mm (6X6)

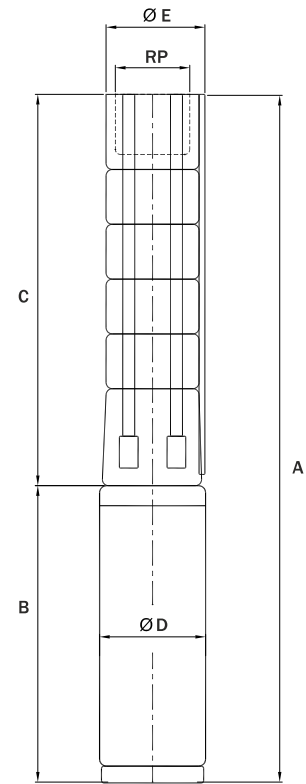
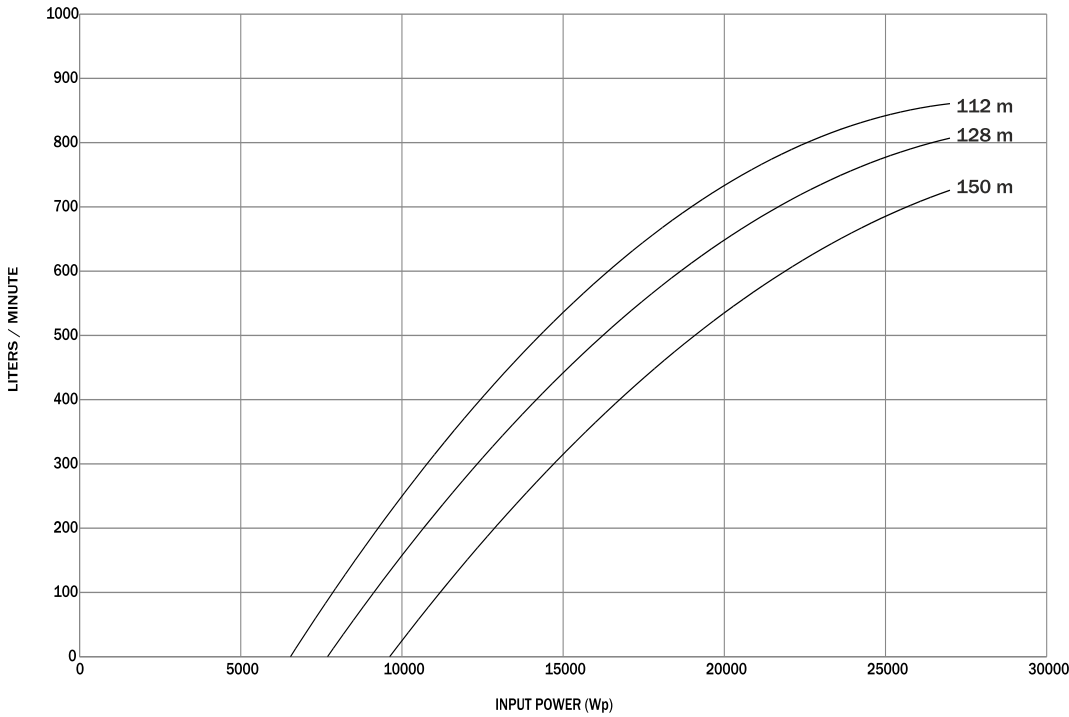
PUMPSET CODE : 9500001717

DISCHARGE (LPD) : 270000

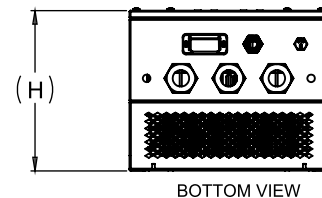
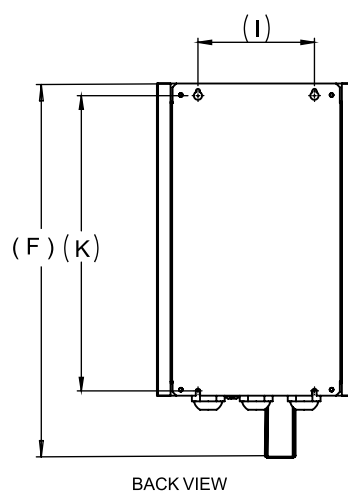
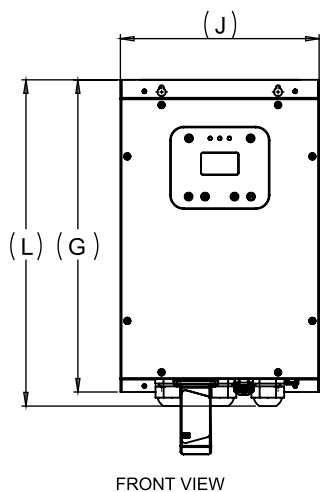
DISCHARGE (LPW) : 10

DUTY HEAD : 150 METER

CHOKE CODE : 9000023926



	INPUT POWER (Wp)						
	27000	21550	16150	10700	9450	8000	7200
HEAD (m)	FLOW IN LPM						
150	730	575	390	50	0		
128	815	680	495	230	125	0	
112	875	750	580	335	220	135	0



CONTROLLER CODE : 9600000067

SOLAR PUMPING SYSTEM



SOLAR 26 DCSSP 27000

BSP 50 mm (6X6)

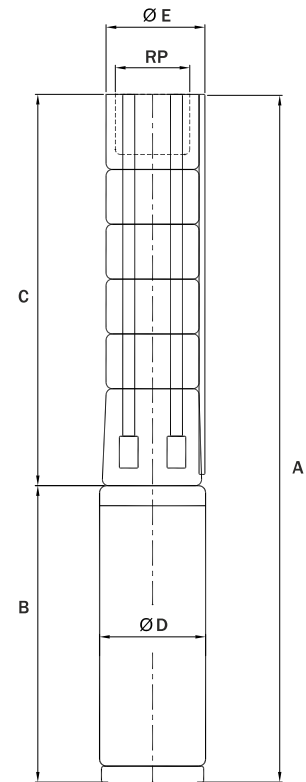
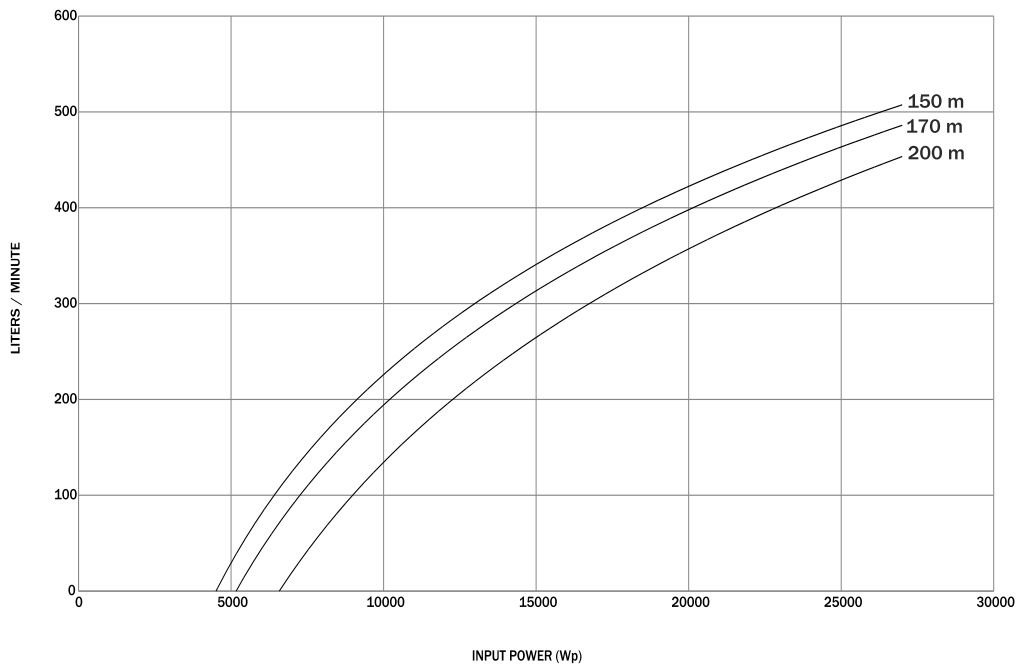
PUMPSET CODE : 9500000777

DISCHARGE (LPD) : 202500

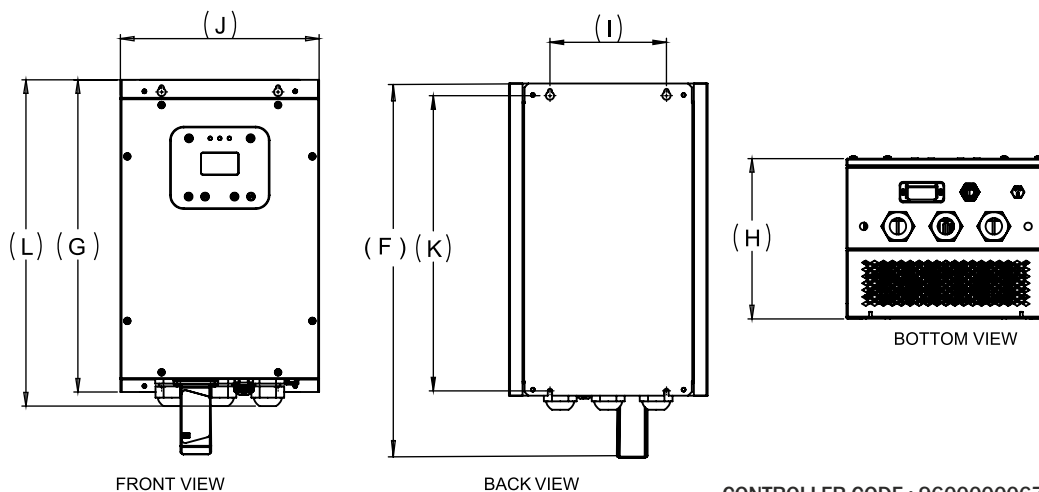
DISCHARGE (LPW) : 7.5

DUTY HEAD : 200 METER

CHOKE CODE : 9000023926



	INPUT POWER (Wp)						
	27000	20350	14100	9900	6750	5550	4750
HEAD (m)	FLOW IN LPM						
200	445	365	255	135	0		
170	475	400	310	200	90	0	
150	495	420	350	224	120	60	0



CONTROLLER CODE : 9600000067

SOLAR PUMPING SYSTEM



SOLAR 23 DCSSP 27000

BSP 50 mm (6X6)

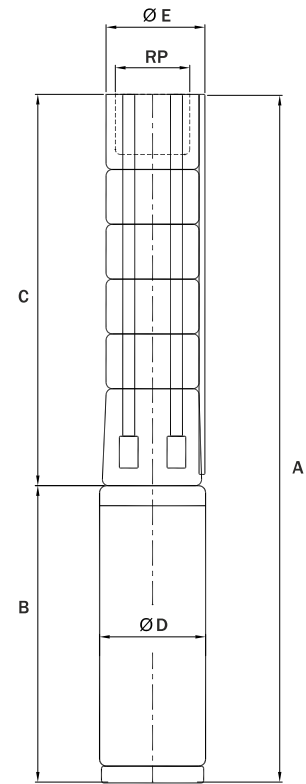
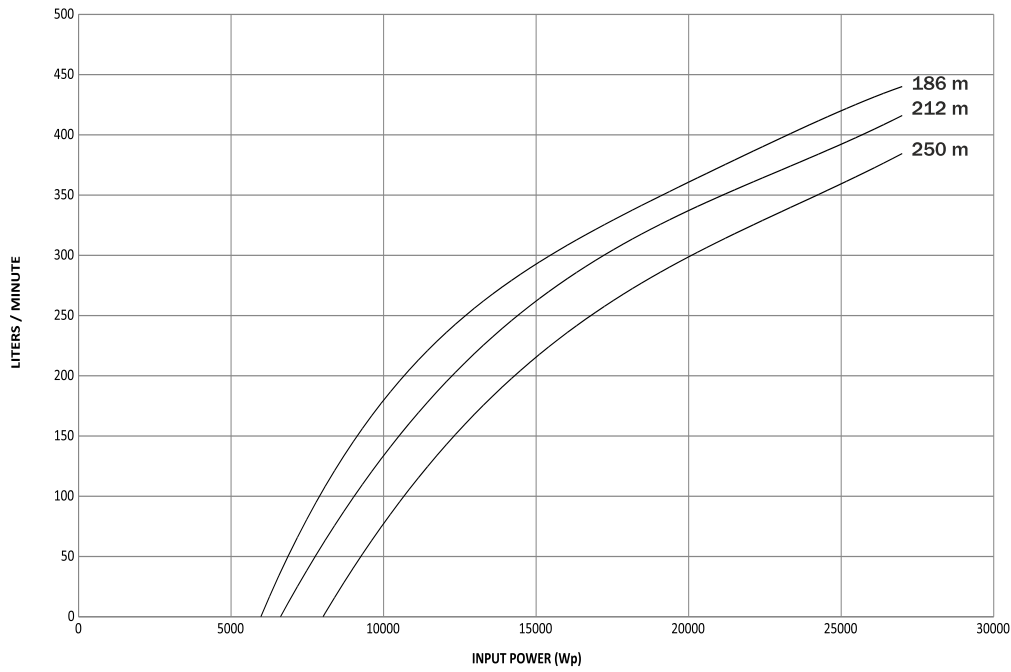
PUMPSET CODE : 9500000861

DISCHARGE (LPD) : 162000

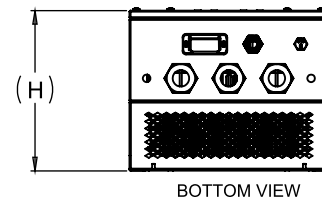
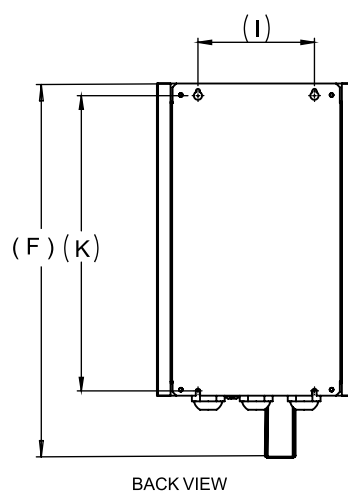
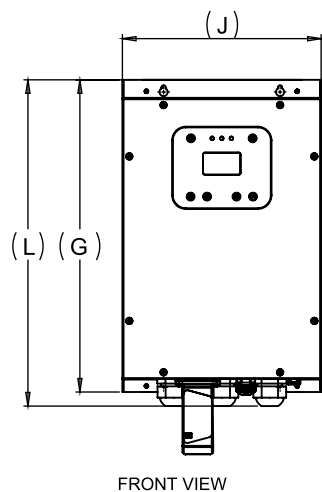
DISCHARGE (LPW) : 6

DUTY HEAD : 250 METER

CHOKE CODE : 9000025821



	INPUT POWER (Wp)						
	27000	21600	16200	10750	8050	6500	6000
HEAD (m)	FLOW IN LPM						
250	384	321	236	106	0		
212	416	356	281	166	50	0	
186	440	381	309	207	100	35	0



CONTROLLER CODE : 9600000067

SOLAR PUMPING SYSTEM



SOLAR 20 DCSSP 27000

BSP 50 mm (6X6)

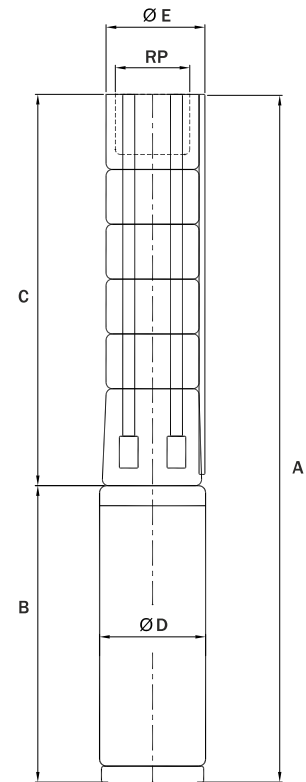
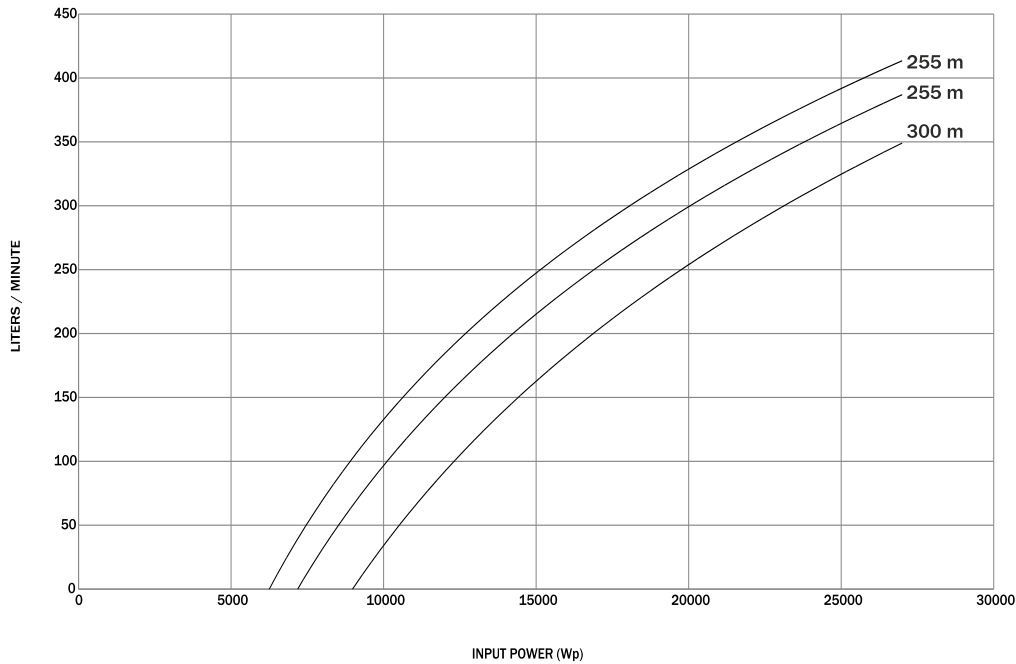
PUMPSET CODE : 9500001721

DISCHARGE (LPD) : 121500

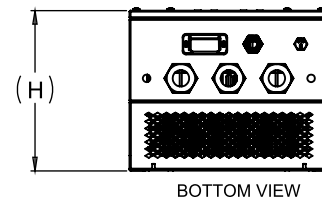
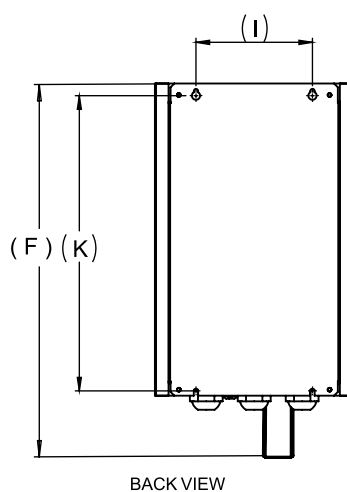
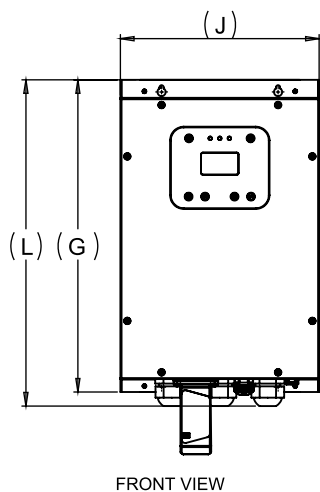
DISCHARGE (LPW) : 4.5

DUTY HEAD : 300 METER

CHOKE CODE : 9000023926



	INPUT POWER (Wp)						
	27000	19250	15000	13400	9350	7400	6400
HEAD (m)	FLOW IN LPM						
300	343	240	165	145	0		
255	382	280	235	181	80	0	
225	401	317	264	220	120	40	0

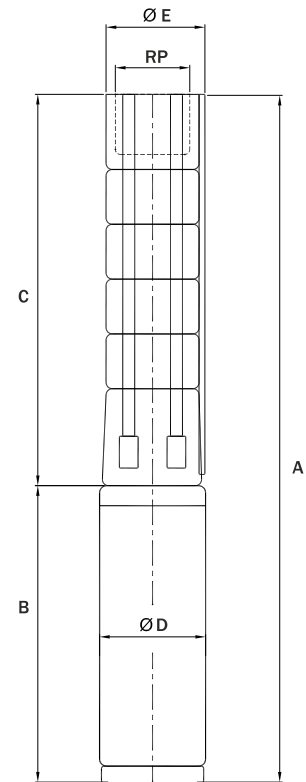
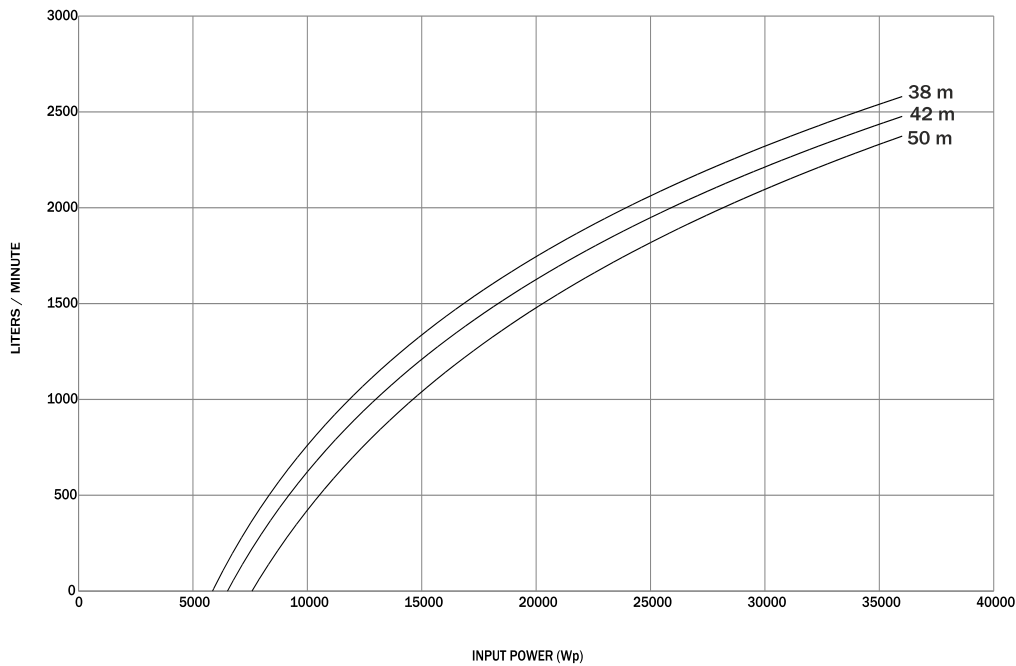


CONTROLLER CODE : 9600000067

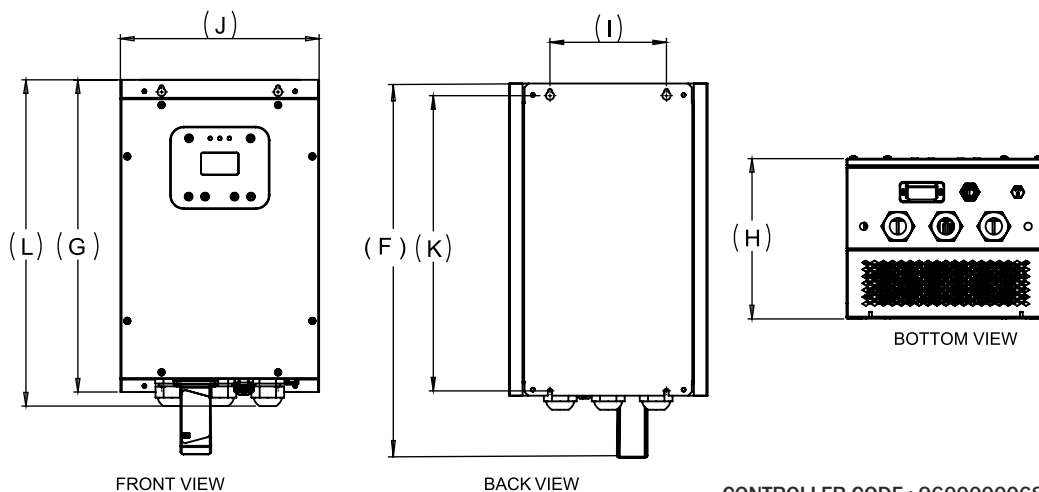
SOLAR PUMPING SYSTEM



SOLAR 139 DCSSP 36000
BSP 100 mm (8X8)
PUMPSET CODE : 9500000670
DISCHARGE (LPD) : 1044000
DISCHARGE (LPW) : 29
DUTY HEAD : 50 METER



	INPUT POWER (Wp)						
	36000	28000	17350	11550	7900	6600	6000
HEAD (m)	FLOW IN LPM						
50	2320	2010	1310	690	0		
42	2455	2100	1450	885	250	0	
38	2510	2240	1600	1020	450	120	0

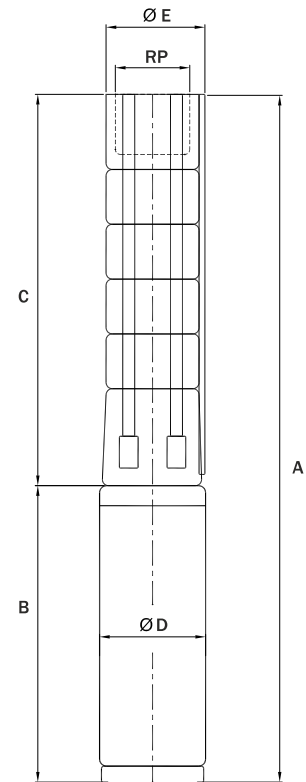
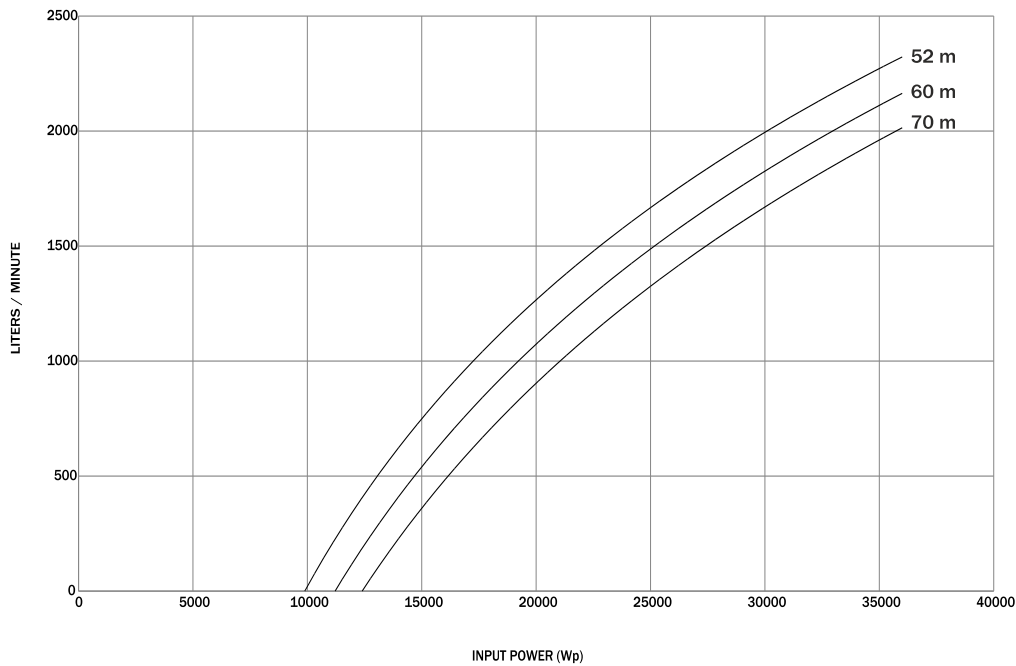


CONTROLLER CODE : 960000068

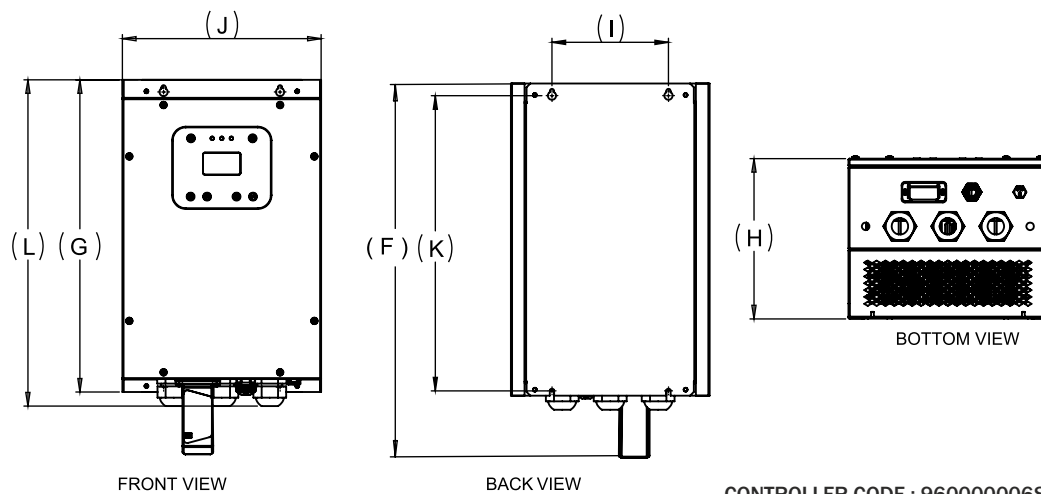
SOLAR PUMPING SYSTEM



SOLAR 119 DCSSP 36000
BSP 100 mm (8X8)
PUMPSET CODE : 9500000664
DISCHARGE (LPD) : 720000
DISCHARGE (LPW) : 20
DUTY HEAD : 70 METER



	INPUT POWER (Wp)						
	36000	33100	24050	17400	12650	11000	10000
HEAD (m)	FLOW IN LPM						
70	1990	1870	1240	700	0		
60	2190	1950	1450	850	150	0	
52	2310	2100	1700	1000	570	80	0



CONTROLLER CODE : 9600000668

SOLAR PUMPING SYSTEM



SOLAR 84 DCSSP 36000

BSP 100 mm (8X6)

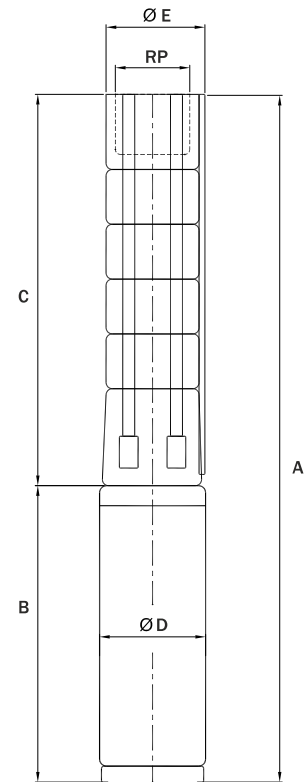
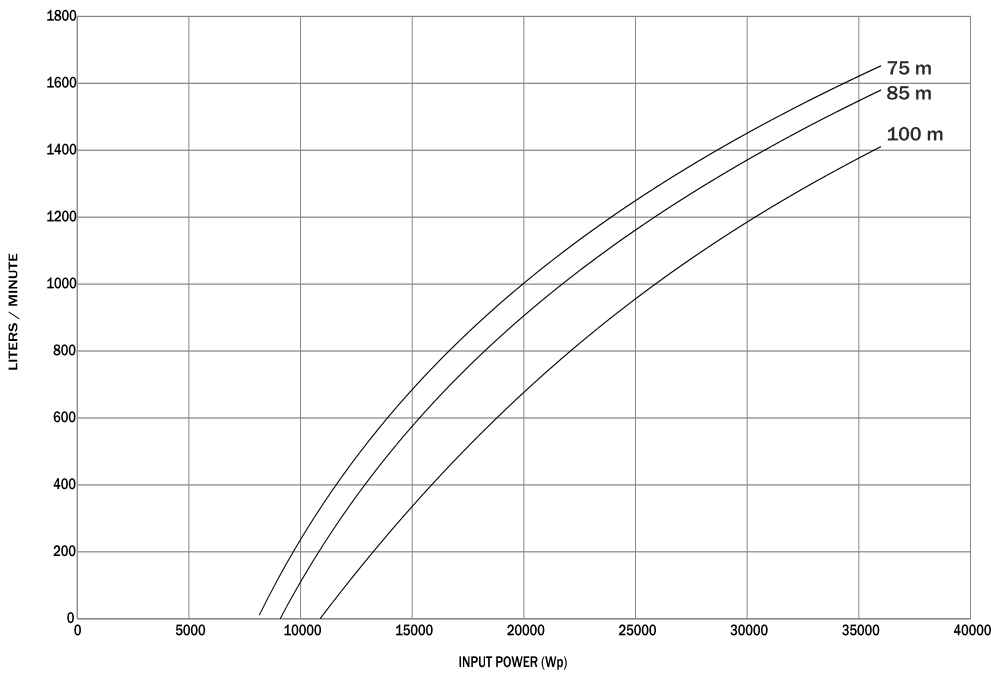
PUMPSET CODE : 9500000657

DISCHARGE (LPD) : 540000

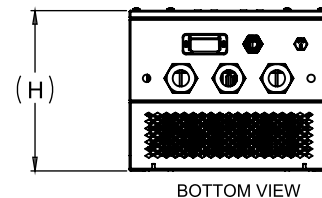
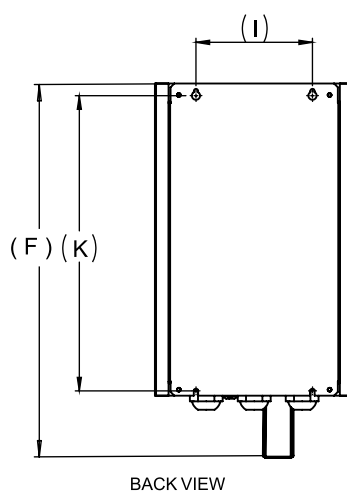
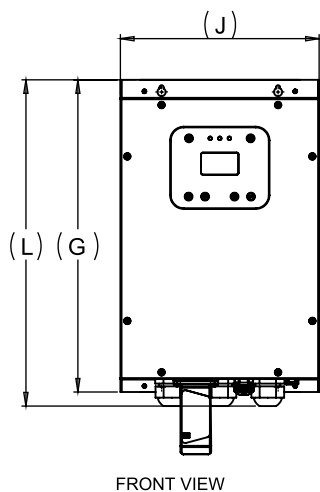
DISCHARGE (LPW) : 15

DUTY HEAD : 100 METER

CHOKE CODE : 9000025819



	INPUT POWER (Wp)						
	36000	28600	20600	17050	10900	9200	8500
HEAD (m)	FLOW IN LPM						
100	1410	1130	700	495	0		
85	1540	1310	1000	750	180	0	
75	1610	1380	1105	850	350	150	0



CONTROLLER CODE : 960000068

SOLAR PUMPING SYSTEM



SOLAR 69 DCSSP 36000

BSP 75 mm (8X6)

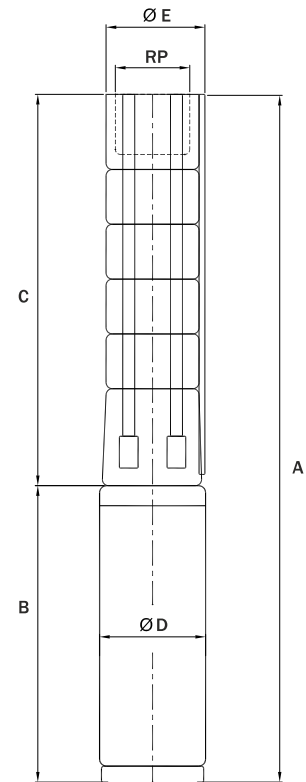
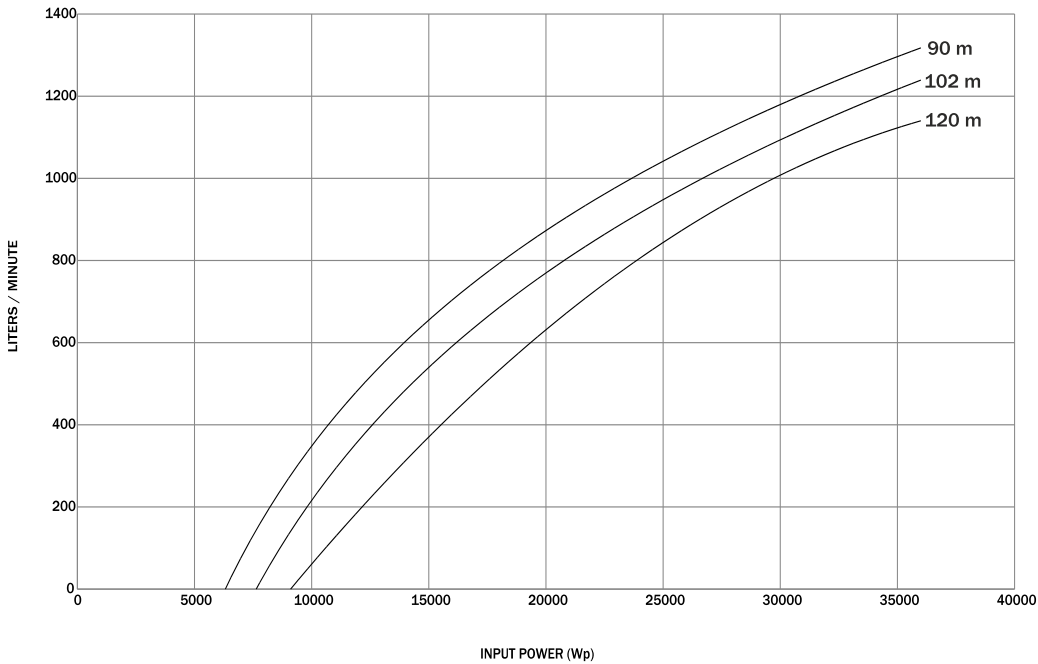
PUMPSET CODE : 9500000634

DISCHARGE (LPD) : 468000

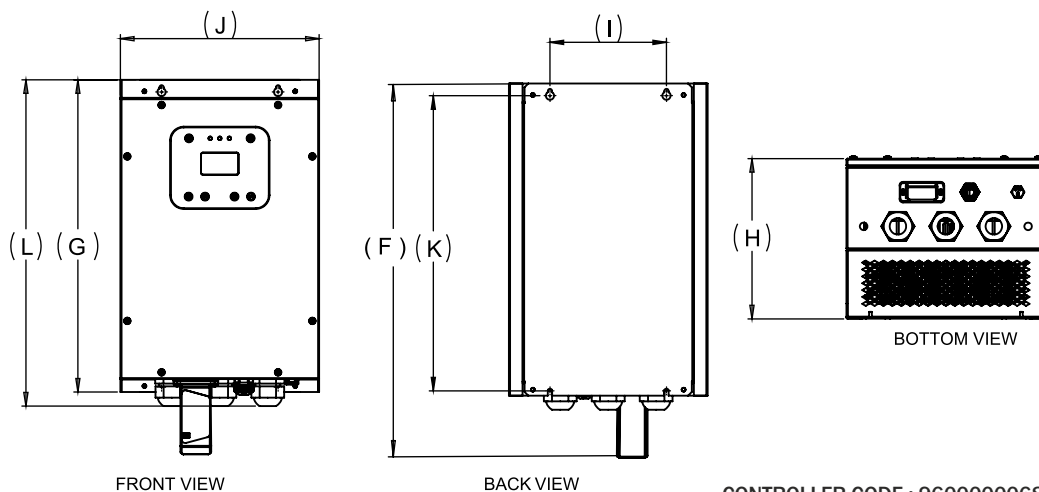
DISCHARGE (LPW) : 13

DUTY HEAD : 120 METER

CHOKE CODE : 9000025820



	INPUT POWER (Wp)						
	36000	29550	23400	14250	9500	7500	6500
HEAD (m)	FLOW IN LPM						
120	1150	985	760	375	0		
102	1235	1055	940	495	150	0	
90	1300	1150	1025	630	320	130	0



CONTROLLER CODE : 9600000068

SOLAR PUMPING SYSTEM



SOLAR 57 DCSSP 36000

BSP 75 mm (8X6)

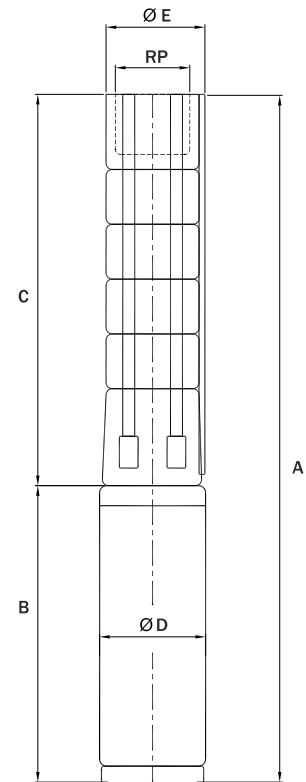
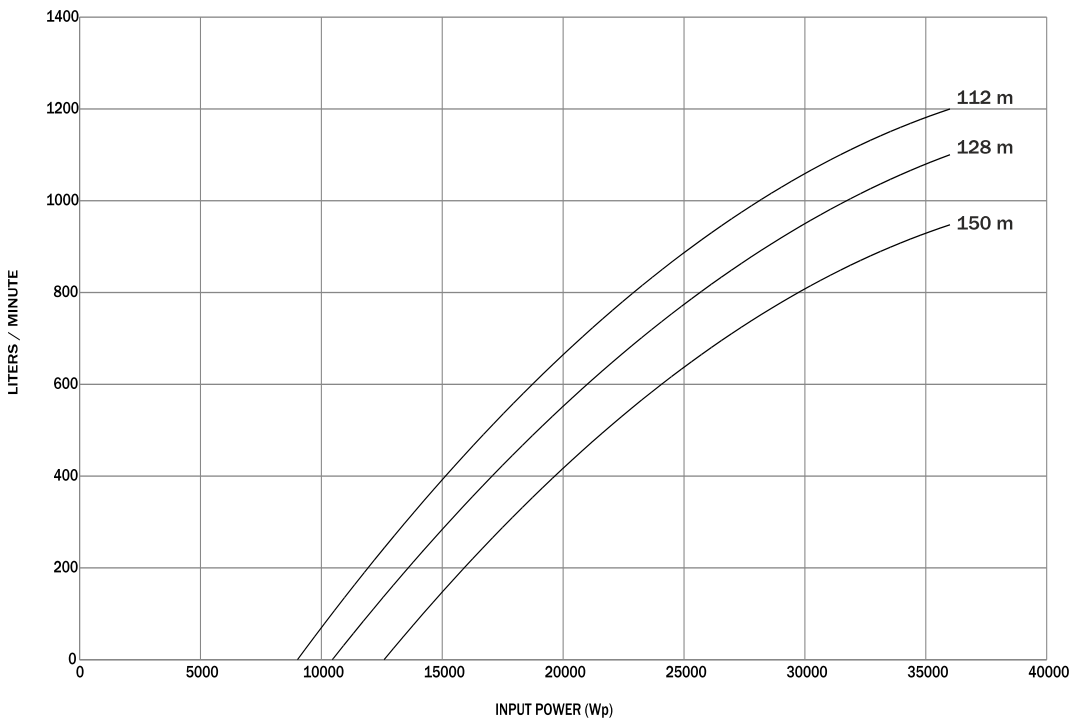
PUMPSET CODE : 9500000458

DISCHARGE (LPD) : 342000

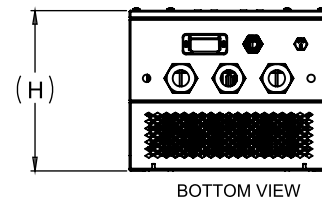
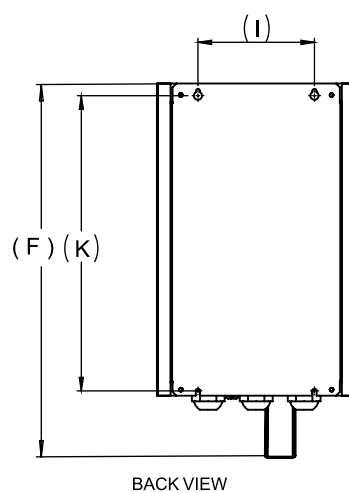
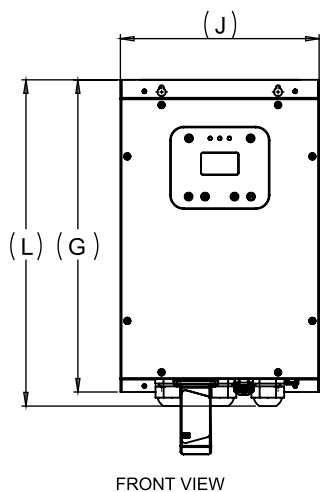
DISCHARGE (LPW) : 9.5

DUTY HEAD : 150 METER

CHOKE CODE : 9000025820



	INPUT POWER (Wp)						
	36000	27400	21350	17400	12800	10600	9000
HEAD (m)	FLOW IN LPM						
150	955	700	495	300	0		
128	1105	855	600	450	150	0	
112	1195	1000	690	545	270	100	0



CONTROLLER CODE : 9600000068

SOLAR PUMPING SYSTEM



SOLAR 44 DCSSP 36000

BSP 75 mm (8X6)

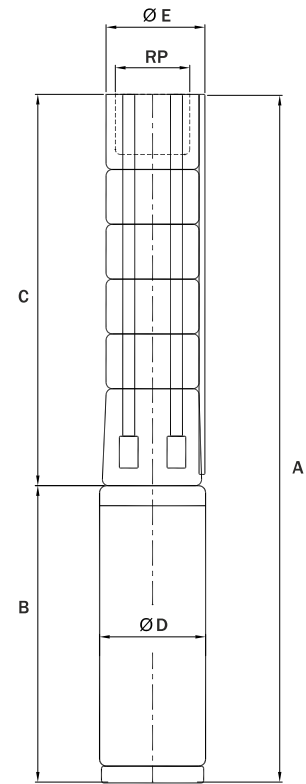
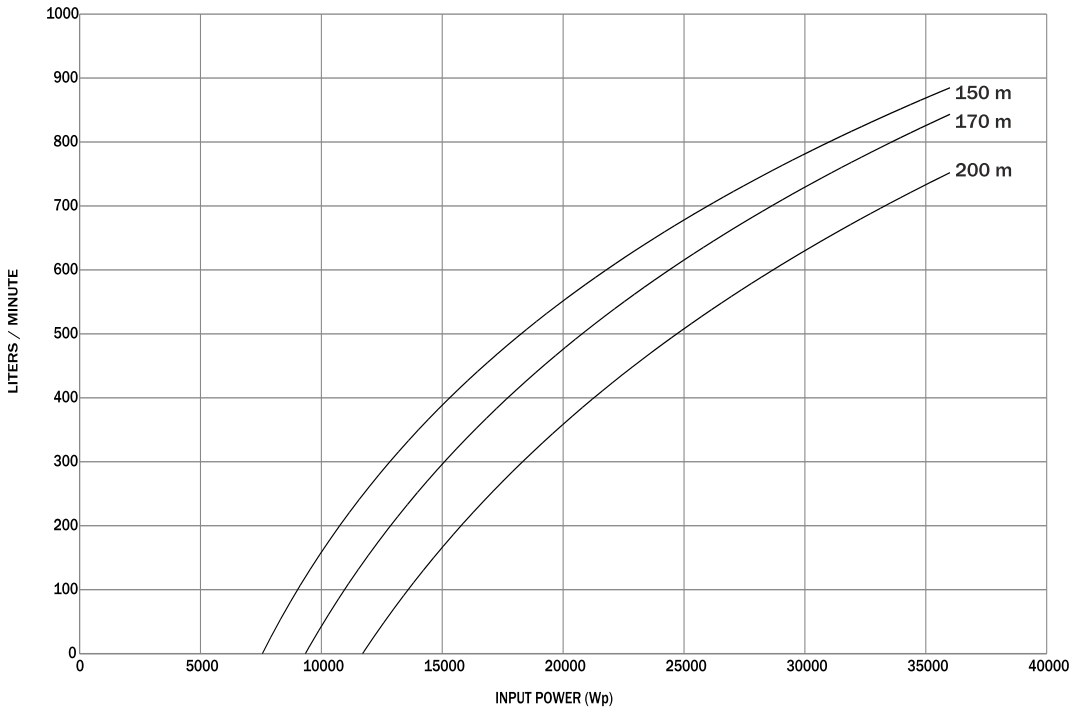
PUMPSET CODE : 9500001729

DISCHARGE (LPD) : 270000

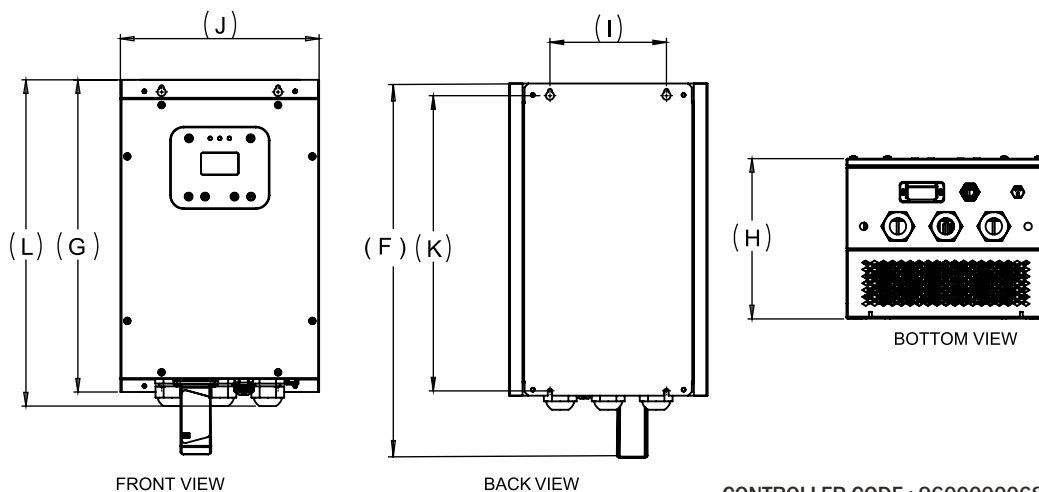
DISCHARGE (LPW) : 7.5

DUTY HEAD : 200 METER

CHOKE CODE : 9000025820



	INPUT POWER (Wp)						
	36000	26300	20850	14350	12100	9650	8100
HEAD (m)	FLOW IN LPM						
200	743	538	405	153	0		
170	818	670	500	305	150	0	
150	860	730	560	380	300	144	0



CONTROLLER CODE : 960000068

SOLAR PUMPING SYSTEM



SOLAR 27 DCSSP 36000

BSP 50 mm (8X6)

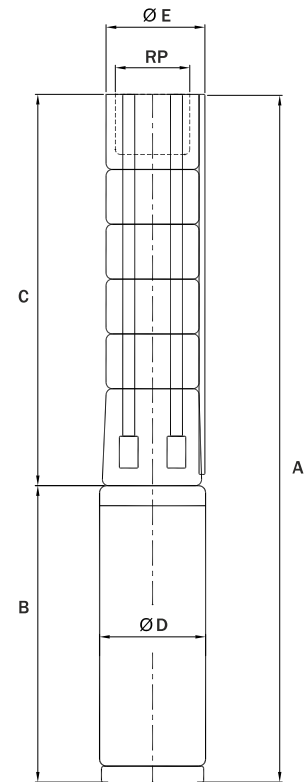
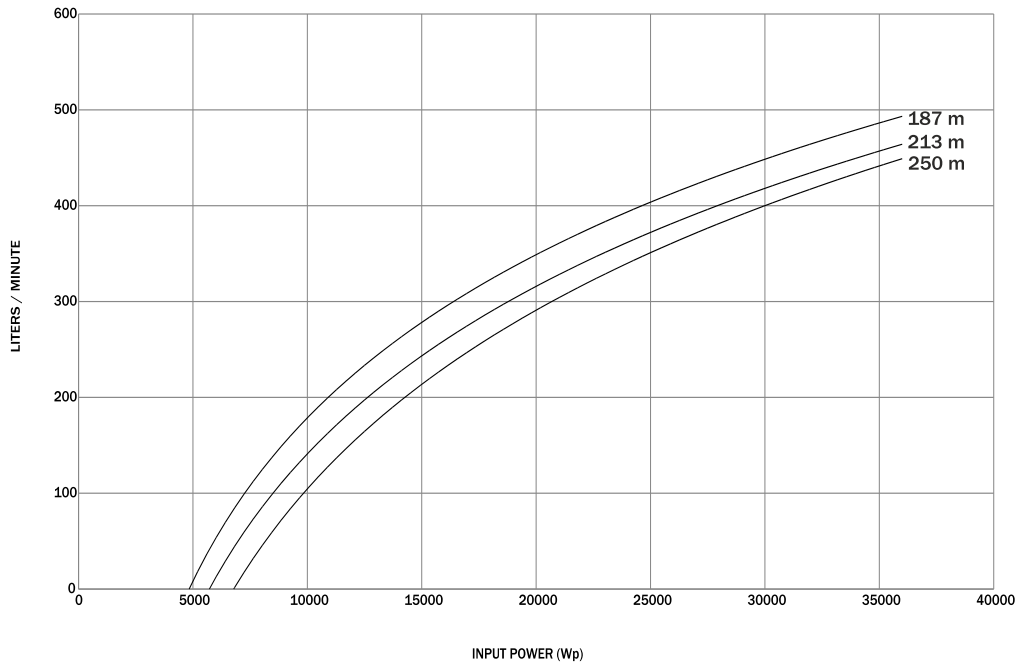
PUMPSET CODE : 9500001356

DISCHARGE (LPD) : 194400

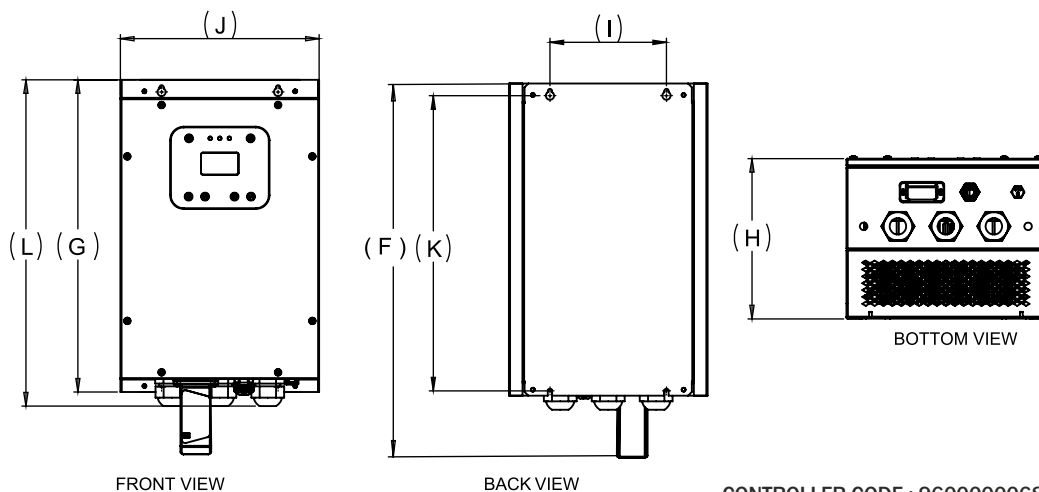
DISCHARGE (LPW) : 5.4

DUTY HEAD : 250 METER

CHOKE CODE : 9000025821



	INPUT POWER (Wp)						
	36000	31550	20400	9600	6900	5700	4850
HEAD (m)	FLOW IN LPM						
250	450	412	295	100	0		
213	475	428	310	125	55	0	
187	490	450	370	180	75	40	0



SOLAR PUMPING SYSTEM



SOLAR 25 DCSSP 36000

BSP 50 mm (8X6)

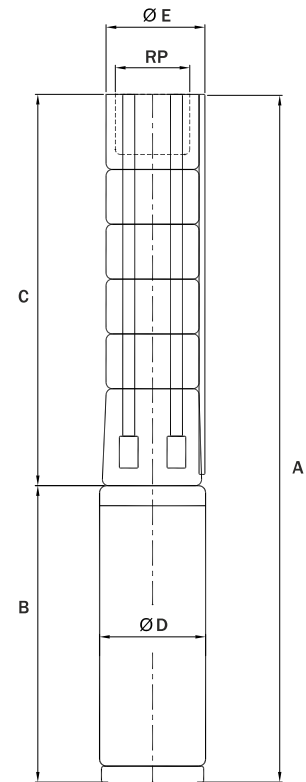
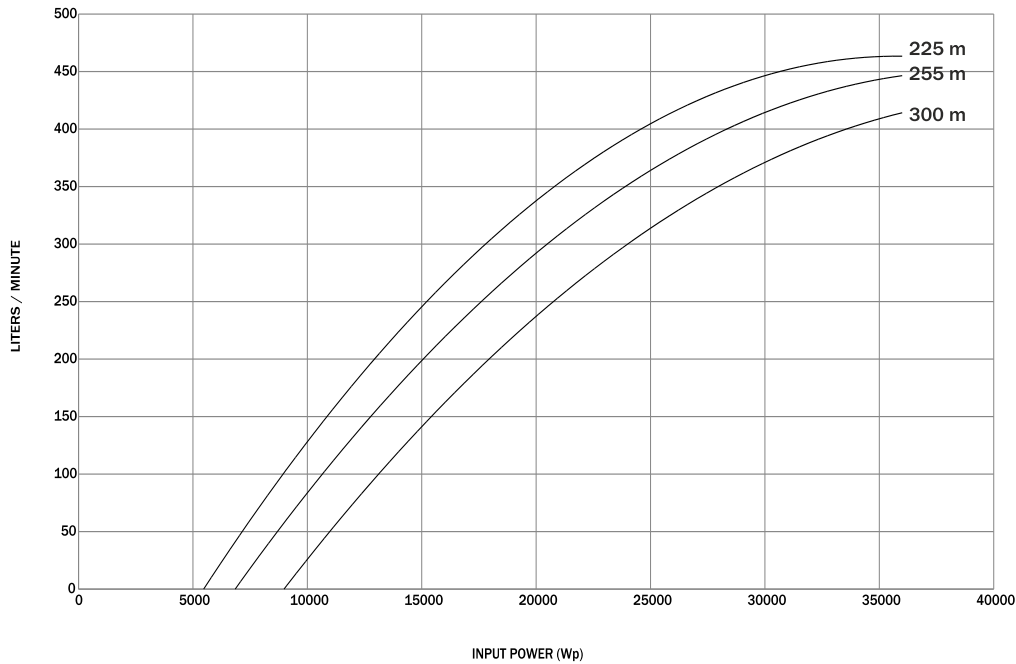
PUMPSET CODE : 9500000611

DISCHARGE (LPD) : 180000

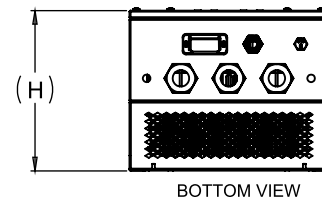
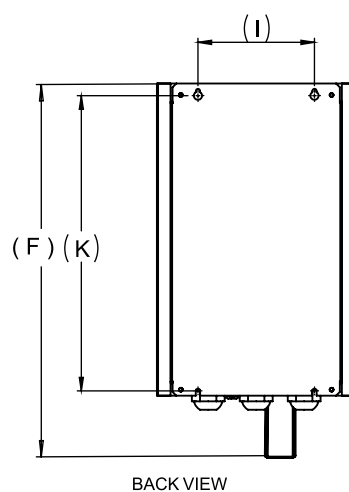
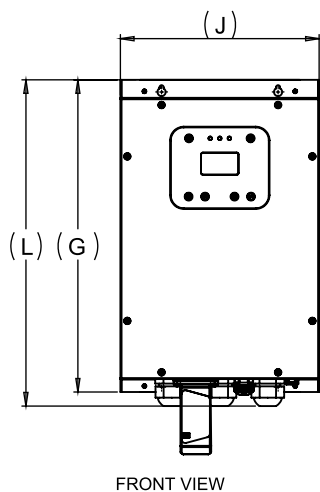
DISCHARGE (LPW) : 5

DUTY HEAD : 300 METER

CHOKE CODE : 9000025821



	INPUT POWER (Wp)						
	36000	30050	25400	20850	9050	7200	6000
HEAD (m)	FLOW IN LPM						
300	418	365	315	260	0		
255	450	410	365	310	70	0	
225	465	450	400	350	120	55	0

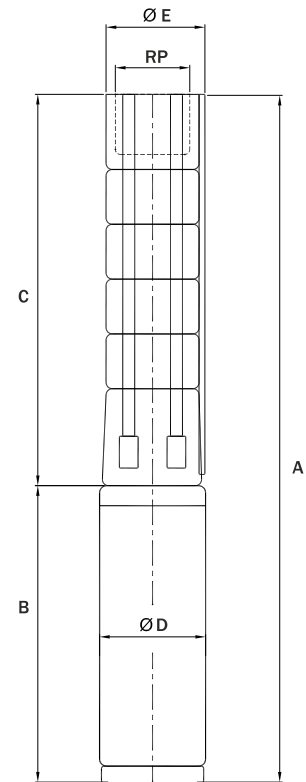
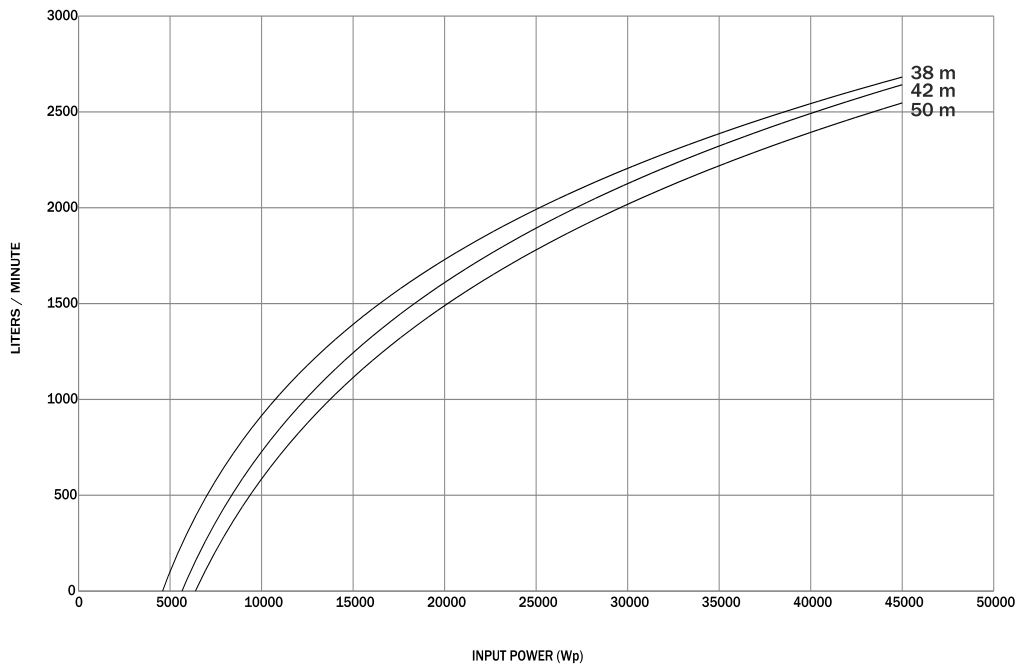


CONTROLLER CODE : 9600000068

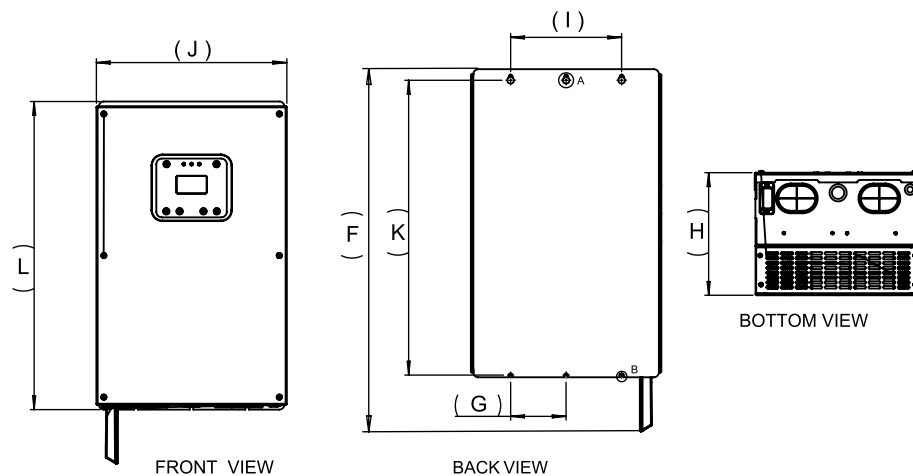
SOLAR PUMPING SYSTEM



SOLAR 150 DCSSP 45000
BSP 100 mm (8X8)
PUMPSET CODE : 9500001494
DISCHARGE (LPD) : 1282500
DISCHARGE (LPW) : 28.5
DUTY HEAD : 50 METER



	INPUT POWER (Wp)						
	45000	31450	18000	10350	6700	5450	4740
HEAD (m)	FLOW IN LPM						
50	2500	2080	1425	665	0		
42	2575	2200	1600	750	120	0	
38	2600	2300	1700	950	390	250	0

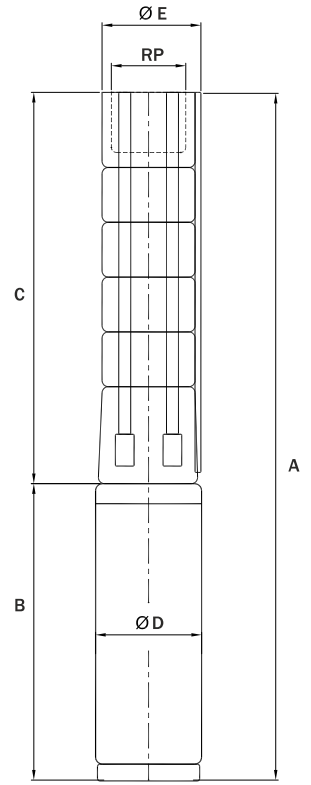
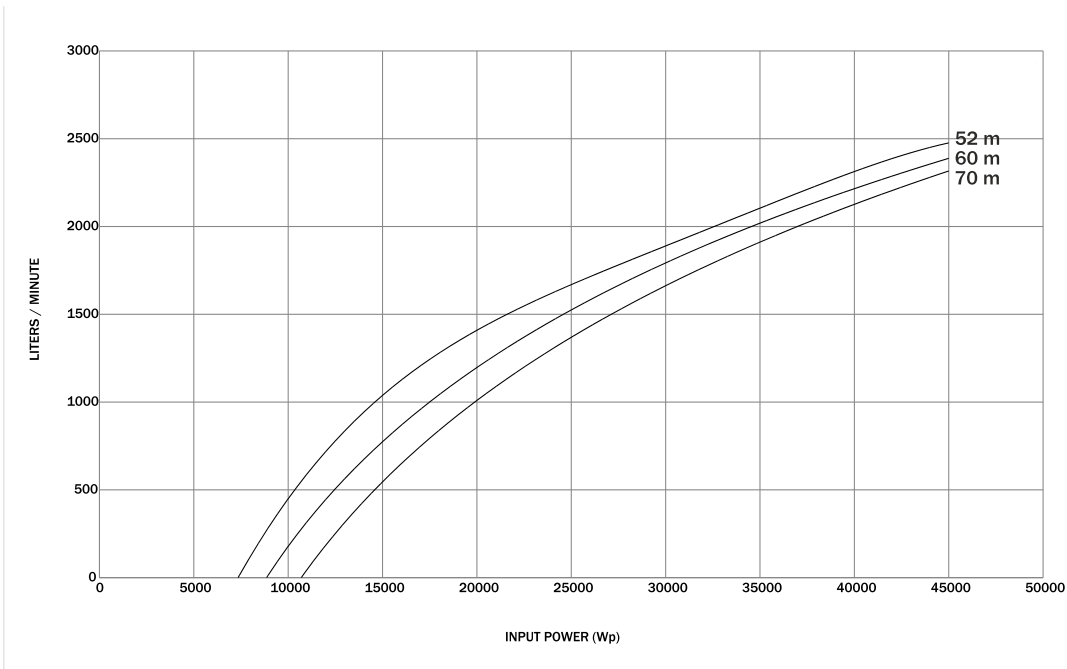


CONTROLLER CODE : 9600000106

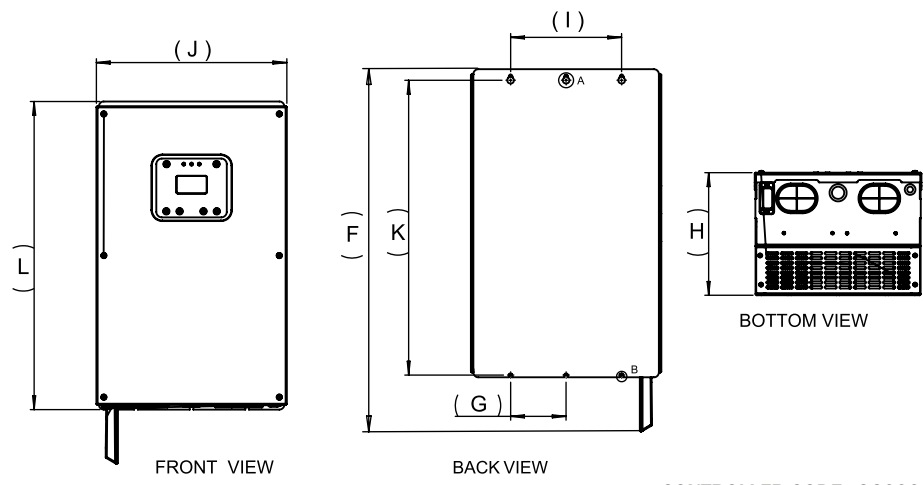
SOLAR PUMPING SYSTEM



SOLAR 135 DCSSP 45000
BSP 100 mm (8X8)
PUMPSET CODE : 9500000962
DISCHARGE (LPD) : 990000
DISCHARGE (LPW) : 22
DUTY HEAD : 70 METER



	INPUT POWER (Wp)						
	45000	35950	27000	13500	11250	9200	7250
HEAD (m)	FLOW IN LPM						
70	2260	1960	1560	440	0		
60	2370	2050	1650	690	350	0	
52	2475	2150	1750	925	600	300	0

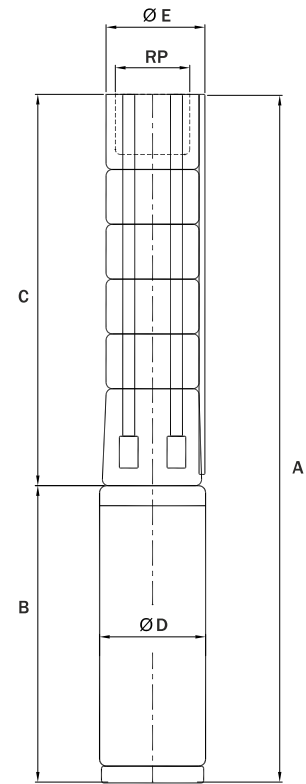
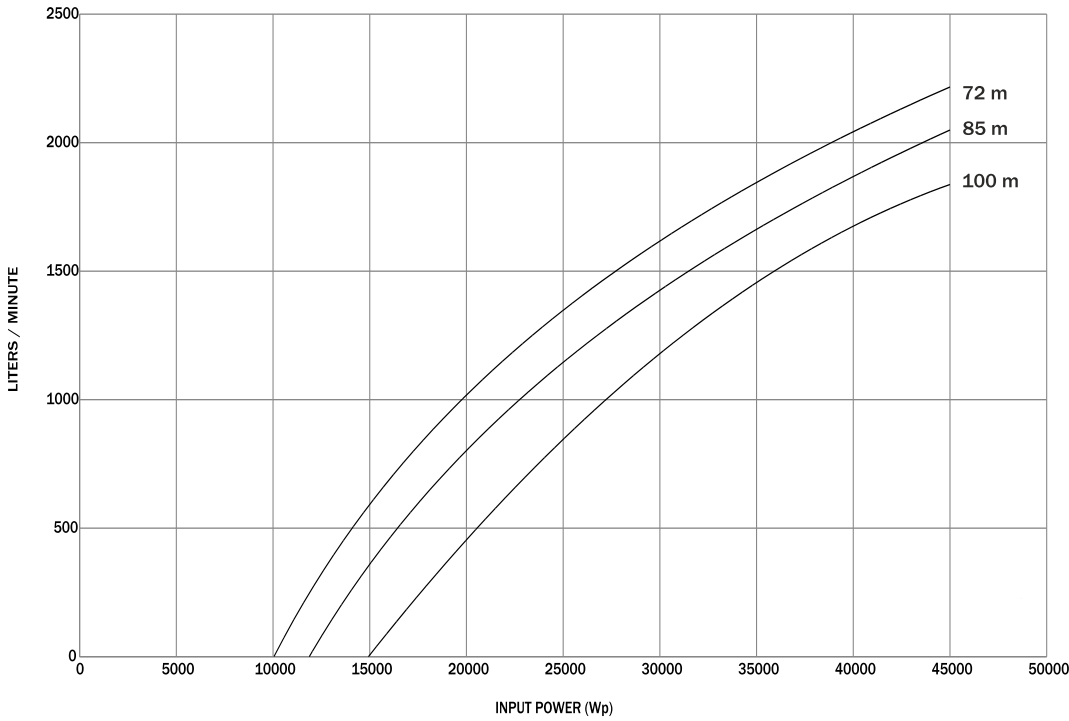


CONTROLLER CODE : 9600000106

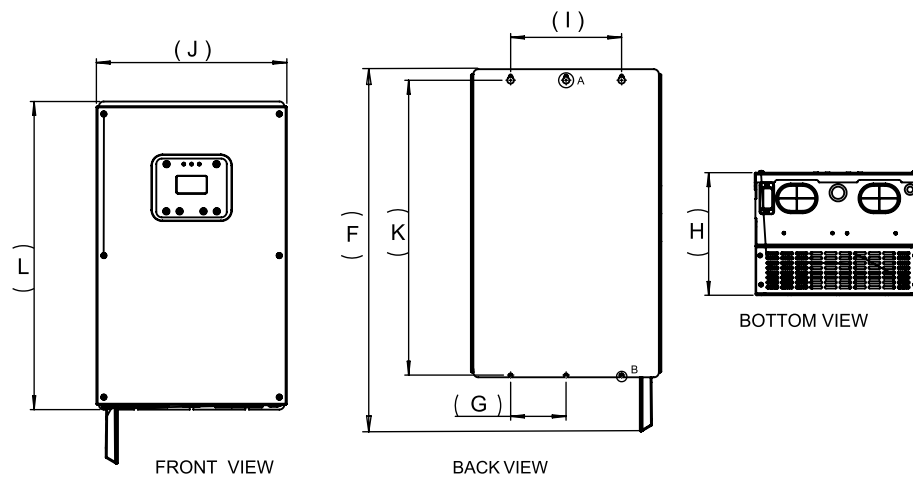
SOLAR PUMPING SYSTEM



SOLAR 110 DCSSP 45000
BSP 100 mm (8X8)
PUMPSET CODE : 9500000959
DISCHARGE (LPD) : 675000
DISCHARGE (LPW) : 15
DUTY HEAD : 100 METER
CHOKE CODE : 9000025819



	INPUT POWER (Wp)						
	45000	36300	22000	16600	15000	12500	10600
HEAD (m)	FLOW IN LPM						
100	1845	1500	640	150	0		
85	2020	1750	900	600	400	0	
72	2180	1900	1200	750	630	350	0



CONTROLLER CODE : 9600000106

SOLAR PUMPING SYSTEM



SOLAR 87 DCSSP 45000

BSP 100 mm (8X6)

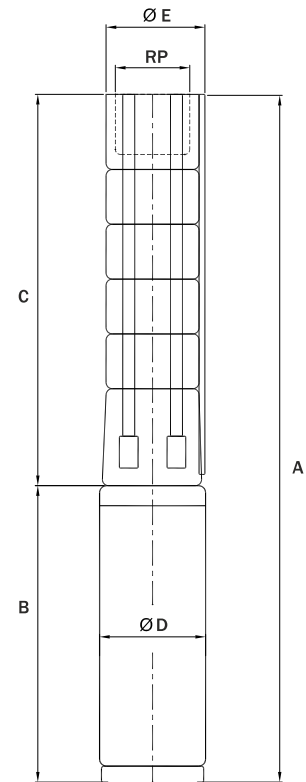
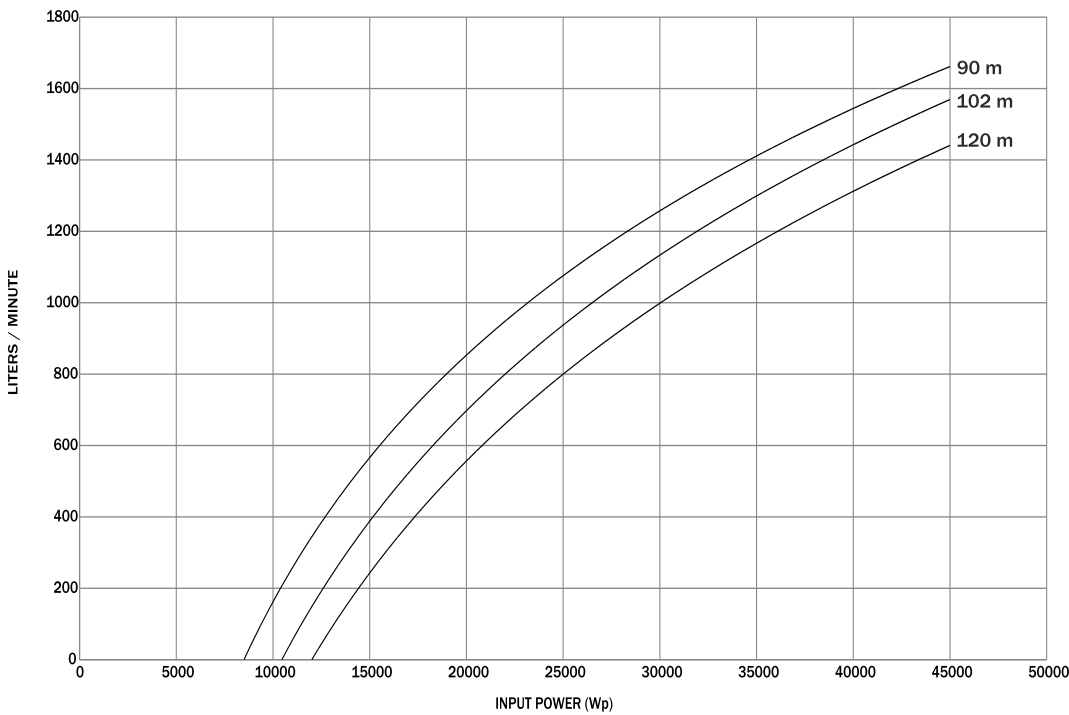
PUMPSET CODE : 9500000953

DISCHARGE (LPD) : 585000

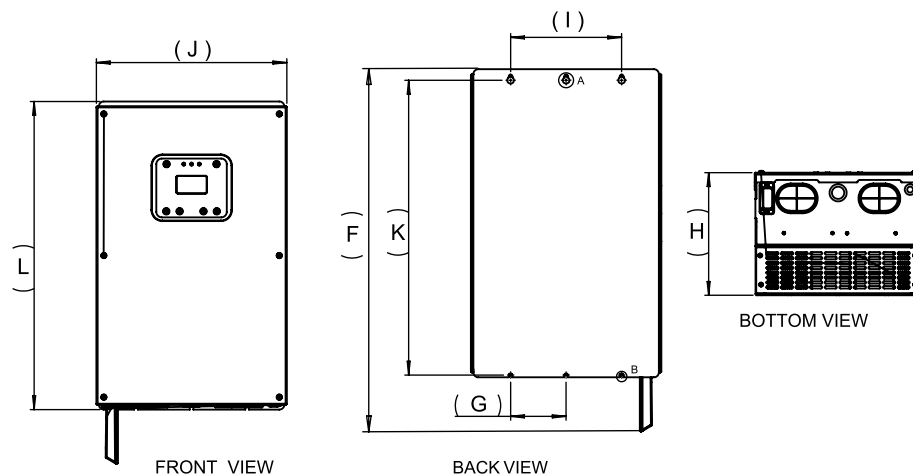
DISCHARGE (LPW) : 13

DUTY HEAD : 120 METER

CHOKE CODE : 9000025820



	INPUT POWER (Wp)						
	45000	35950	22450	18000	11700	10000	7800
HEAD (m)	FLOW IN LPM						
120	1452	1205	660	415	0		
102	1580	1395	750	500	150	0	
90	1645	1465	1030	700	250	120	0



CONTROLLER CODE : 9600000106

SOLAR PUMPING SYSTEM



SOLAR 70 DCSSP 45000

BSP 75 mm (8X6)

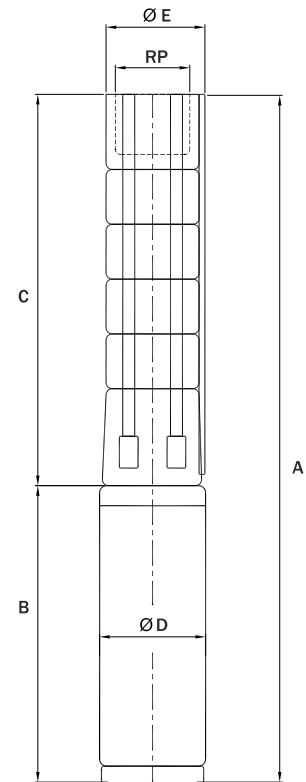
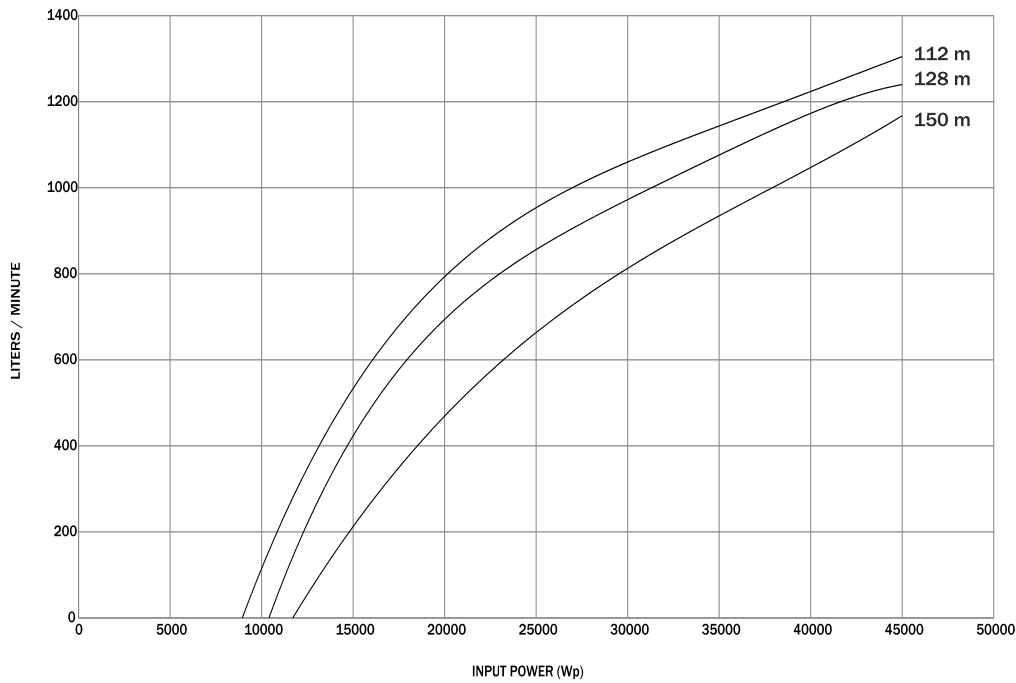
PUMPSET CODE : 9500001722

DISCHARGE (LPD) : 472500

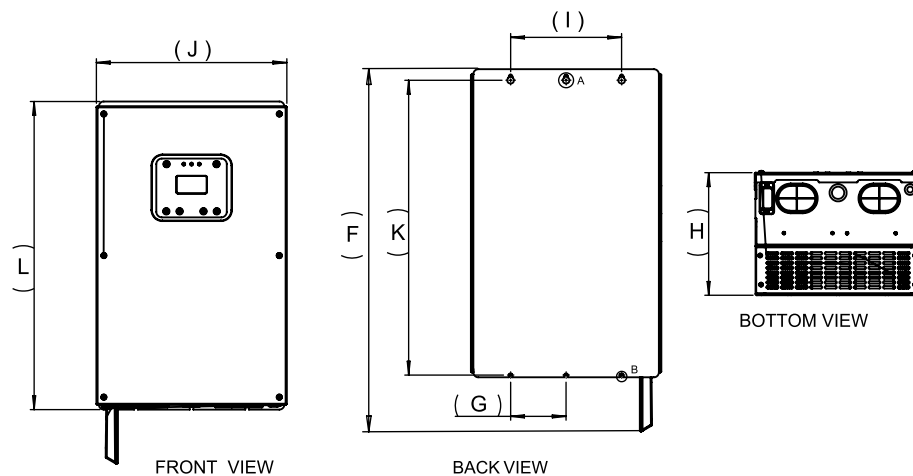
DISCHARGE (LPW) : 10.5

DUTY HEAD : 150 METER

CHOKE CODE : 9000025820



	INPUT POWER (Wp)						
	45000	35000	24250	16650	11850	10500	9000
HEAD (m)	FLOW IN LPM						
150	1165	945	615	330	0		
128	1240	1075	840	520	175	0	
112	1305	1142	940	620	308	165	0

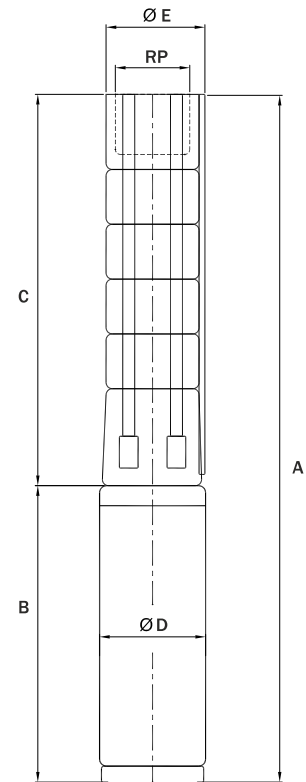
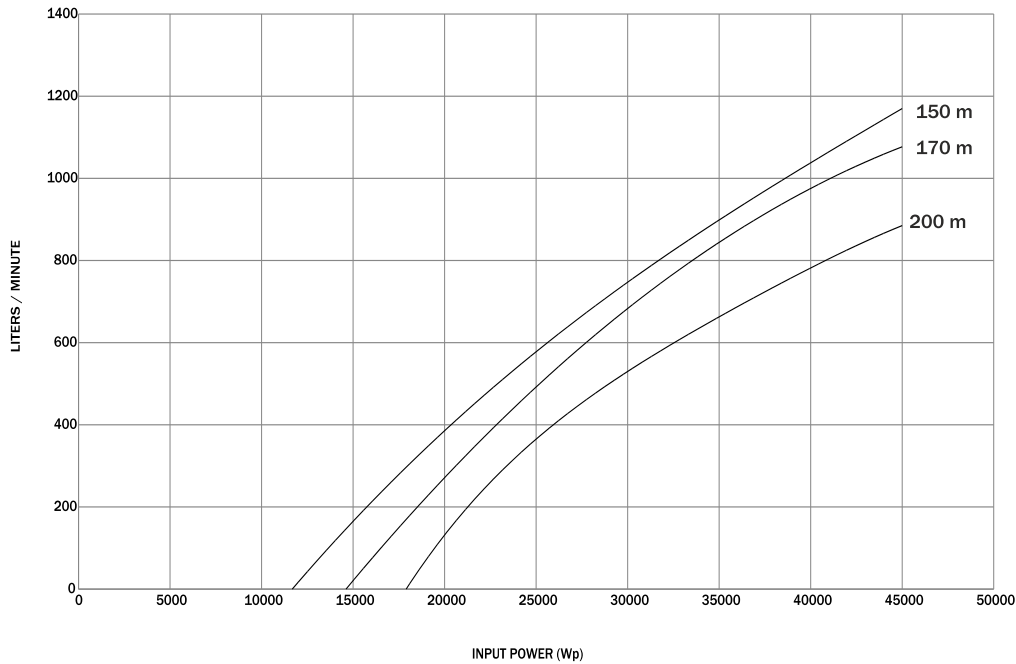


CONTROLLER CODE : 9600000106

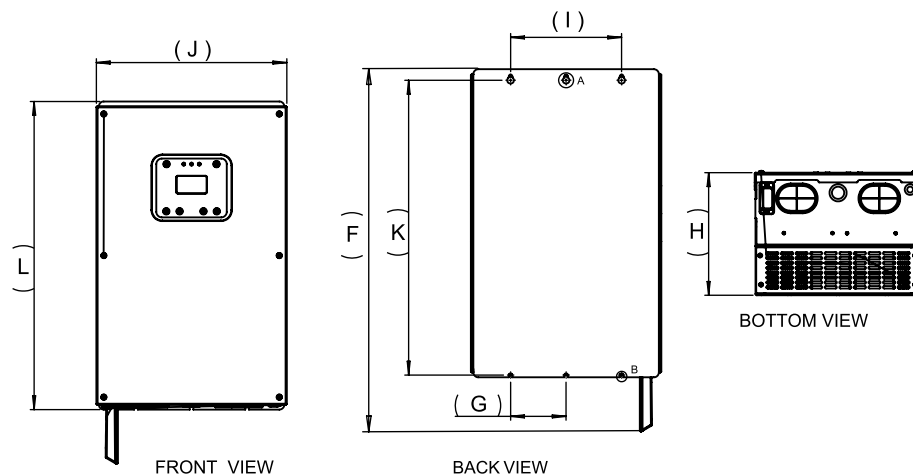
SOLAR PUMPING SYSTEM



SOLAR 53 DCSSP 45000
 BSP 75 mm (8X6)
 PUMPSET CODE : 9500000935
 DISCHARGE (LPD) : 310500
 DISCHARGE (LPW) : 6.9
 DUTY HEAD : 200 METER
 CHOKE CODE : 9000025820



	INPUT POWER (Wp)						
	45000	35900	26950	22500	17900	14400	11850
HEAD (m)	FLOW IN LPM						
200	885	685	435	260	0		
170	1070	890	545	405	150	0	
150	1165	945	615	480	330	132	0



CONTROLLER CODE : 9600000106

SOLAR PUMPING SYSTEM



SOLAR 42 DCSSP 45000

BSP 75 mm (8X6)

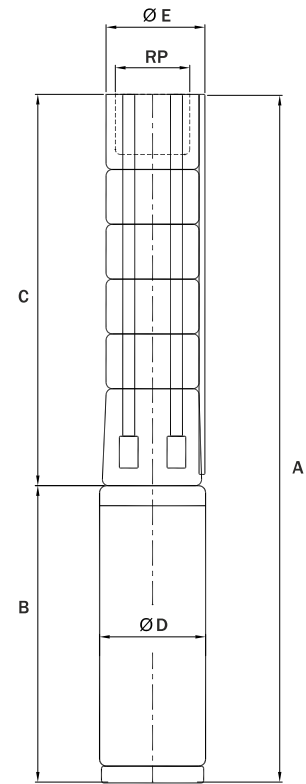
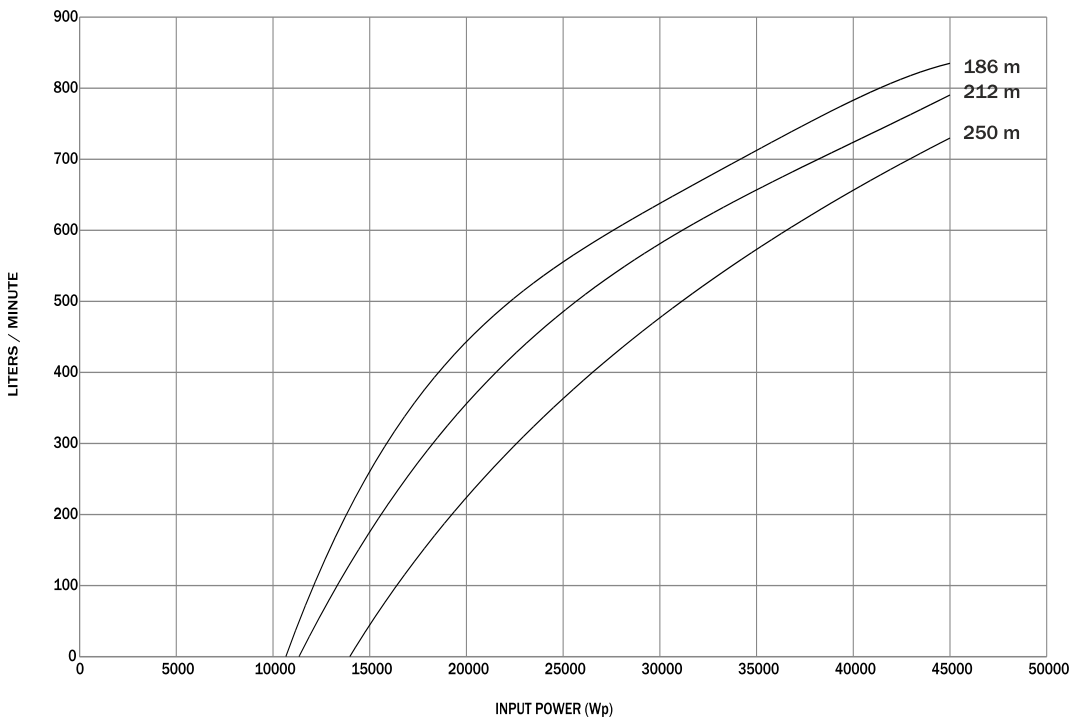
PUMPSET CODE : 9500001724

DISCHARGE (LPD) : 301500

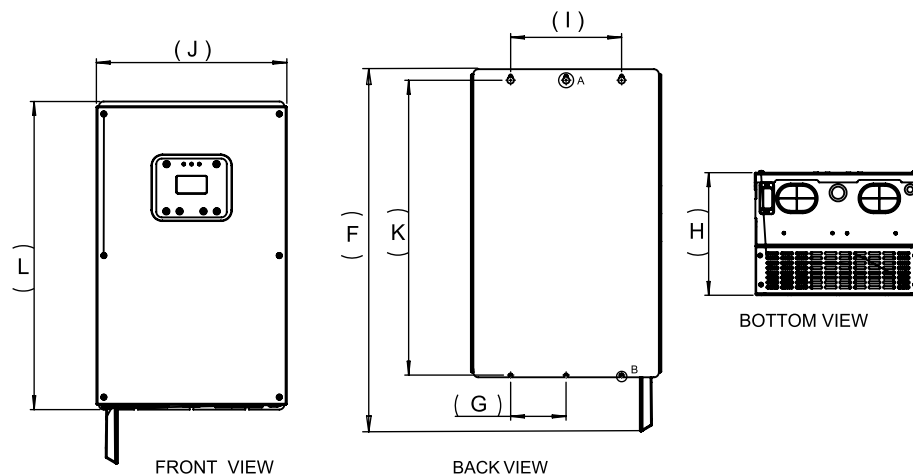
DISCHARGE (LPW) : 6.7

DUTY HEAD : 250 METER

CHOKE CODE : 9000025821



	INPUT POWER (Wp)						
	45000	35950	26950	17950	14850	11250	11000
HEAD (m)	FLOW IN LPM						
250	715	590	425	194	0		
212	790	672	520	307	150	0	
186	835	726	590	380	250	70	0

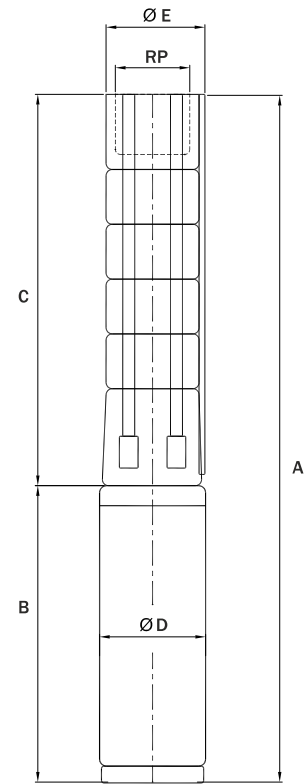
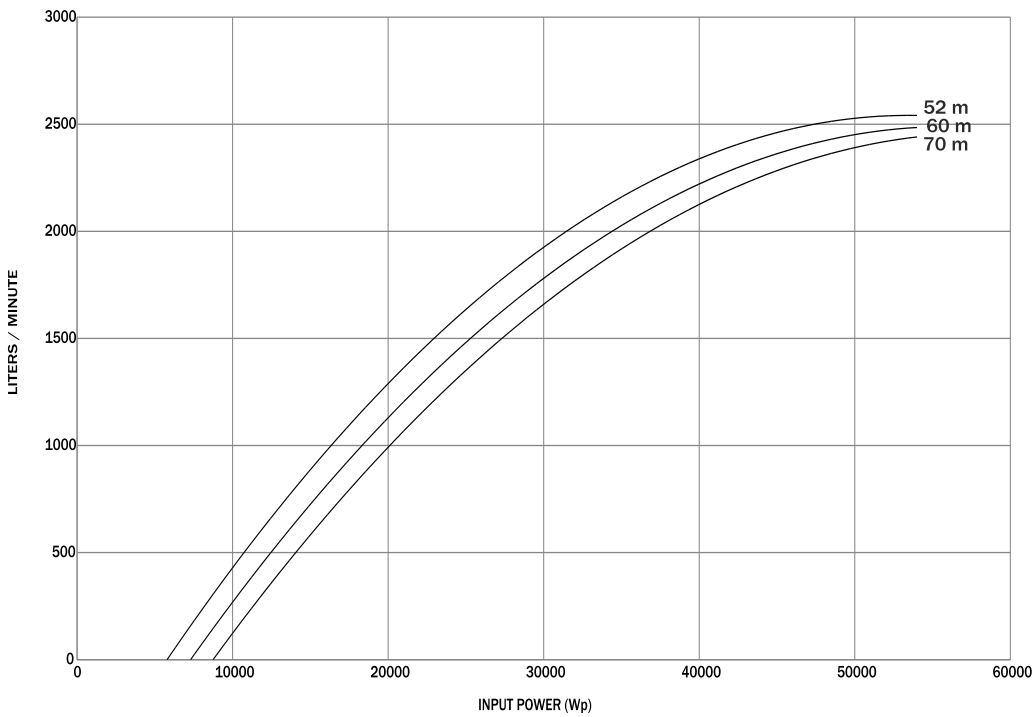


CONTROLLER CODE : 9600000106

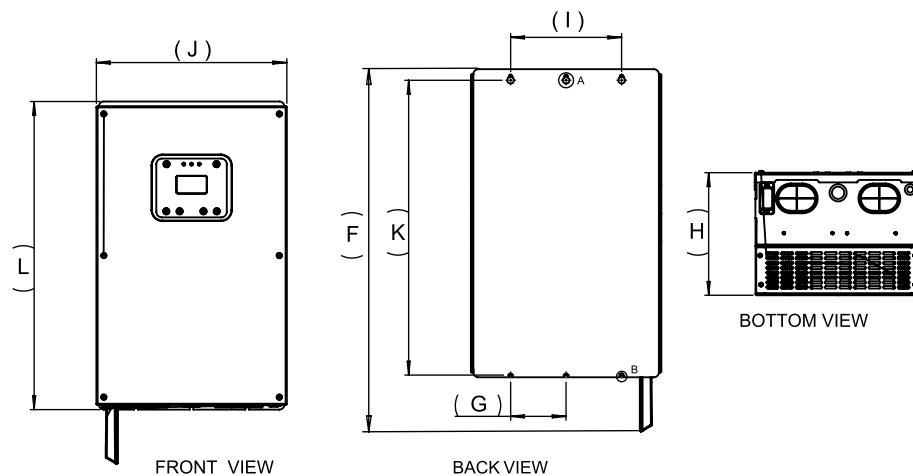
SOLAR PUMPING SYSTEM



SOLAR 148 DCSSP 54000
BSP 100 mm (8X8)
PUMPSET CODE : 9500000827
DISCHARGE (LPD) : 1134000
DISCHARGE (LPW) : 21
DUTY HEAD : 70 METER



	INPUT POWER (Wp)						
	54000	42100	32050	12150	9700	8000	6000
HEAD (m)	FLOW IN LPM						
70	2465	2140	1795	430	0		
60	2520	2200	1930	540	250	0	
52	2560	2360	2030	700	400	200	0

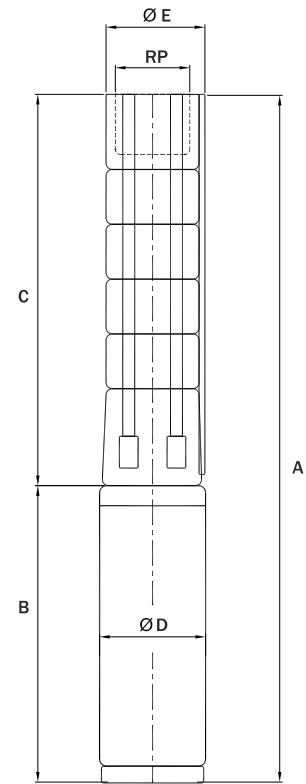
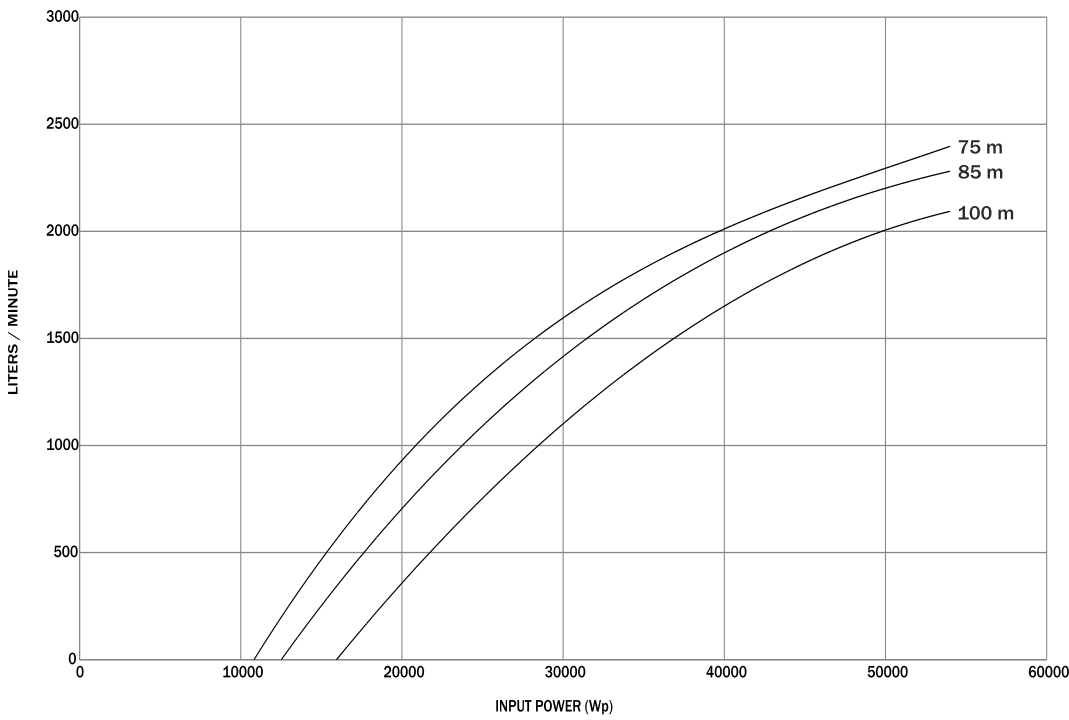


CONTROLLER CODE : 9600000106

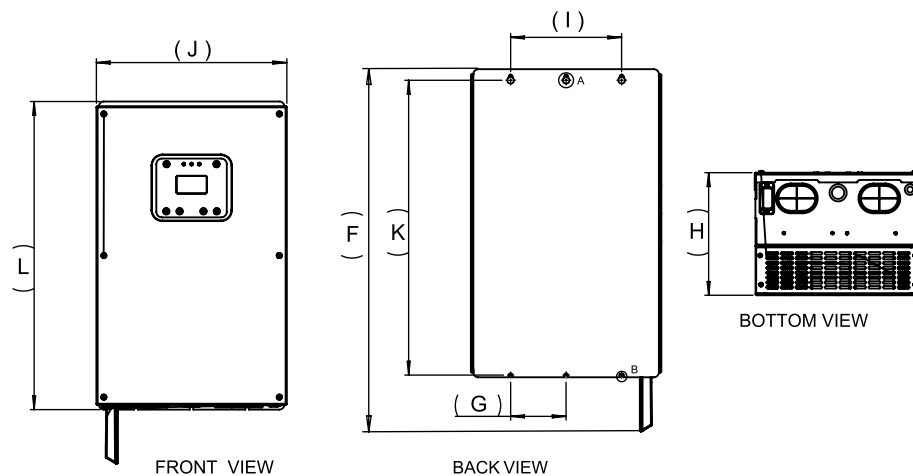
SOLAR PUMPING SYSTEM



SOLAR 126 DCSSP 54000
BSP 100 mm (8X8)
PUMPSET CODE : 9500000836
DISCHARGE (LPD) : 864000
DISCHARGE (LPW) : 16
DUTY HEAD : 100 METER
CHOKE CODE : 9000025819



	INPUT POWER (Wp)						
	54000	43200	32350	21600	16100	12000	11000
HEAD (m)	FLOW IN LPM						
100	2100	1770	1250	510	0		
85	2290	1980	1580	880	250	0	
75	2400	2100	1715	1100	500	200	0



CONTROLLER CODE : 9600000106

SOLAR PUMPING SYSTEM



SOLAR 113 DCSSP 54000

BSP 100 mm (8X8)

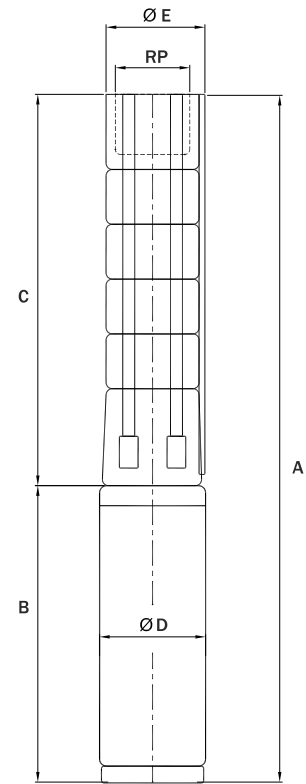
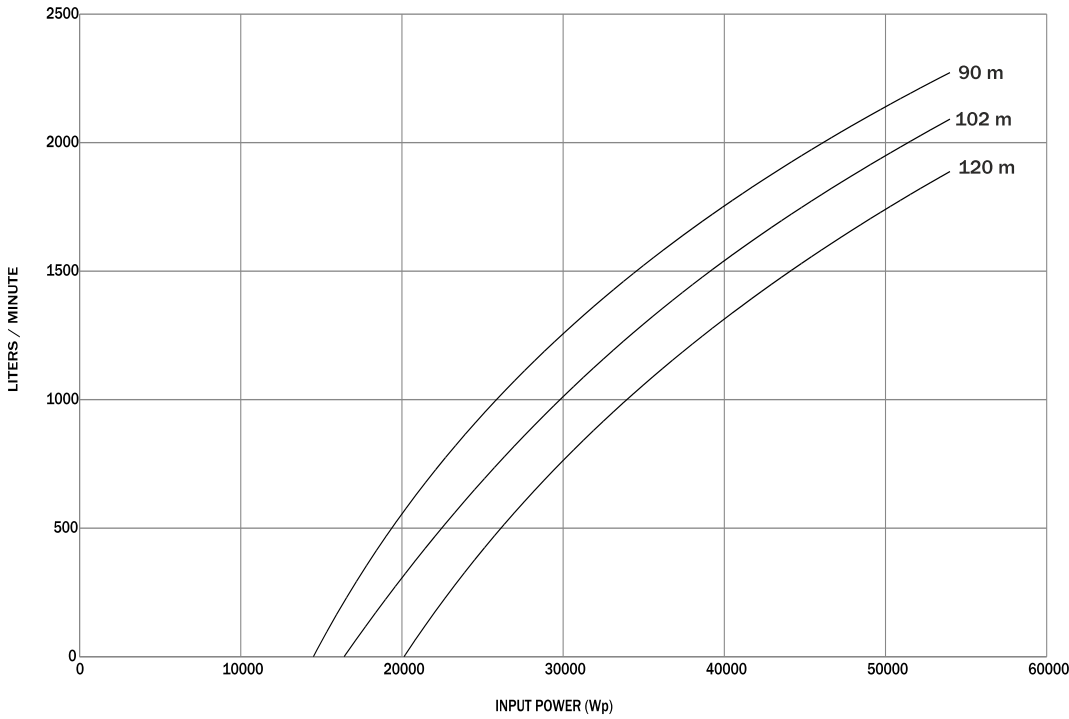
PUMPSET CODE : 9500000892

DISCHARGE (LPD) : 594000

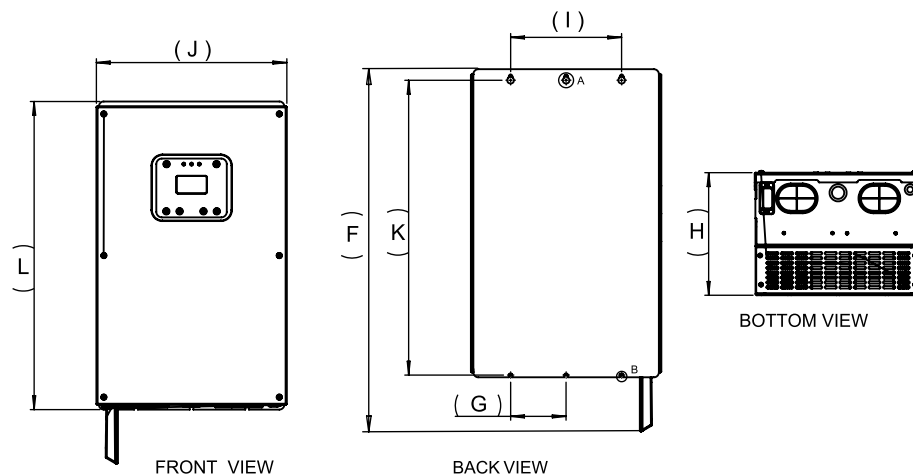
DISCHARGE (LPW) : 11

DUTY HEAD : 120 METER

CHOKE CODE : 9000025820



	INPUT POWER (Wp)						
	54000	43200	32400	27000	20500	16100	14000
HEAD (m)	FLOW IN LPM						
120	1890	1435	915	615	0		
102	2100	1645	1220	800	300	0	
90	2240	1925	1475	1000	550	150	0



CONTROLLER CODE : 9600000106

SOLAR PUMPING SYSTEM



SOLAR 64 DCSSP 54000

BSP 100 mm (8X6)

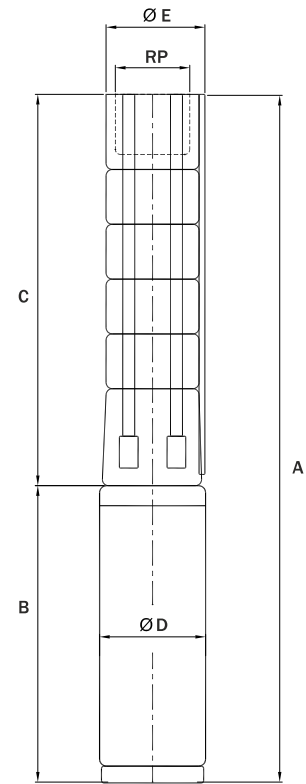
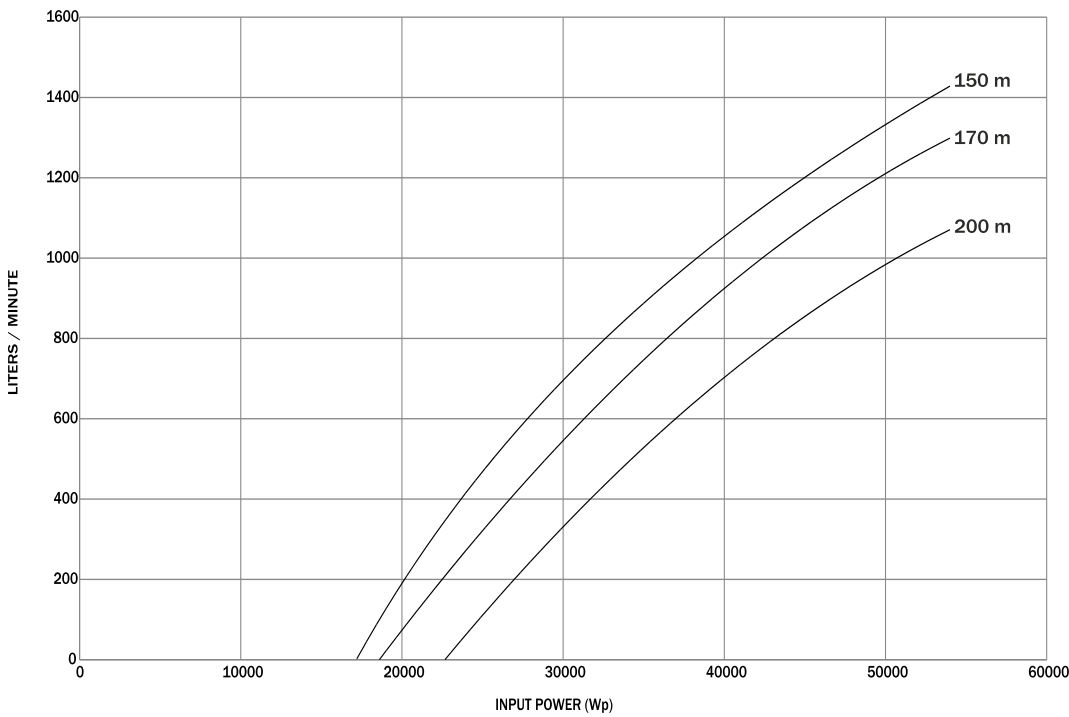
PUMPSET CODE : 9500000459

DISCHARGE (LPD) : 351000

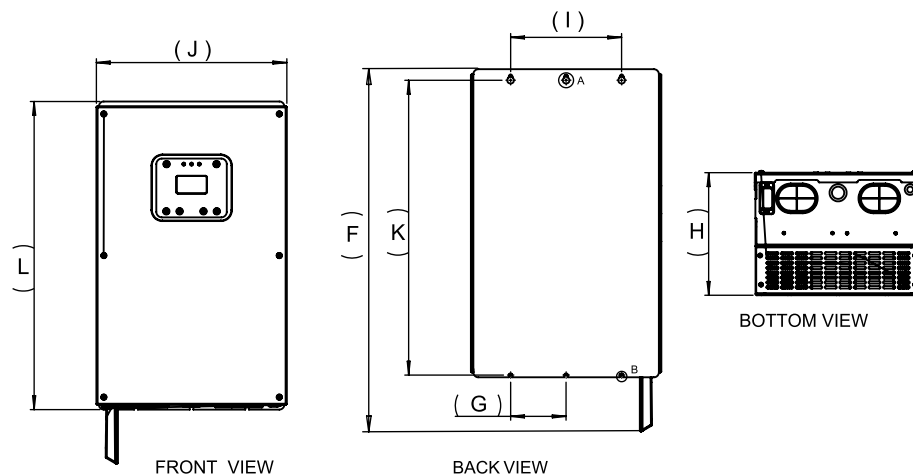
DISCHARGE (LPW) : 6.5

DUTY HEAD : 200 METER

CHOKE CODE : 9000025820



	INPUT POWER (Wp)						
	54000	43150	32350	27000	23200	19000	18000
HEAD (m)	FLOW IN LPM						
200	1080	775	440	230	0		
170	1300	1020	665	350	300	0	
150	1420	1170	800	500	400	200	0



CONTROLLER CODE : 9600000106

SOLAR PUMPING SYSTEM



SOLAR 53 DCSSP 54000

BSP 75 mm (8X6)

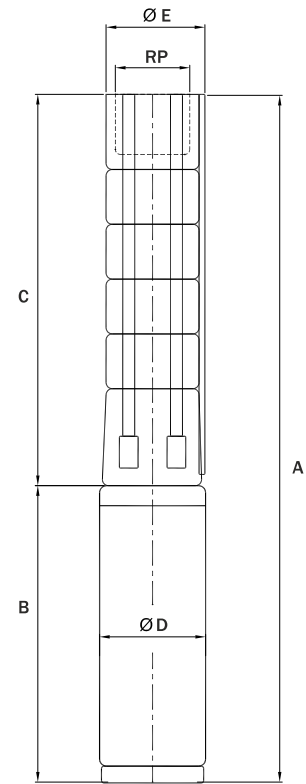
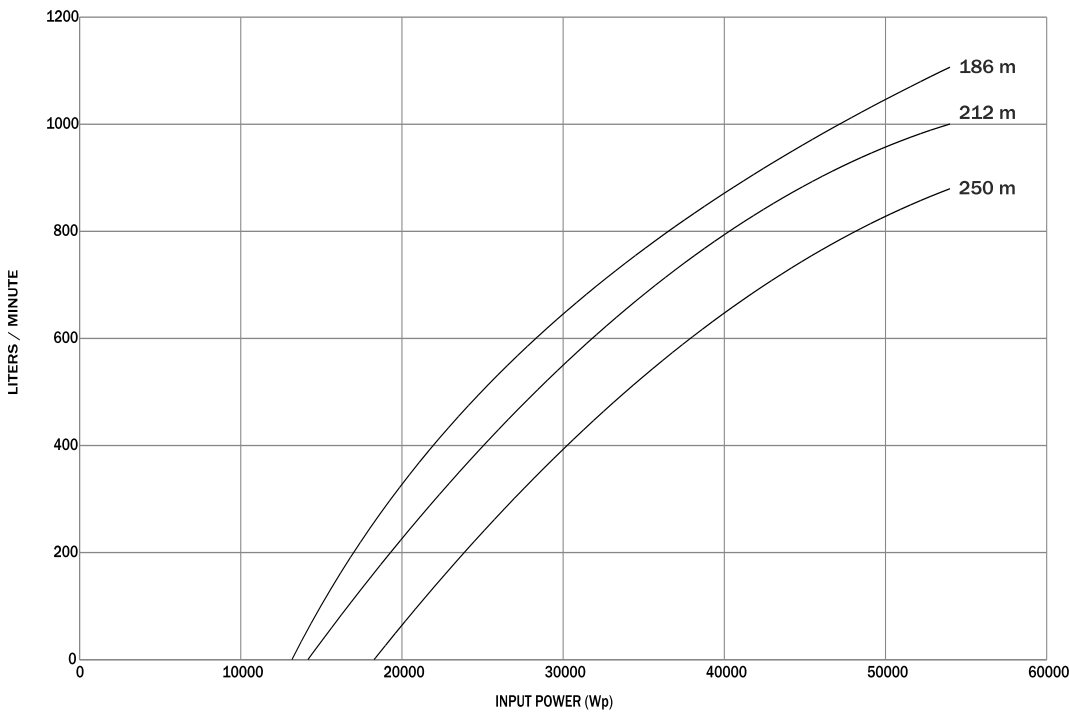
PUMPSET CODE : 9500000460

DISCHARGE (LPD) : 297000

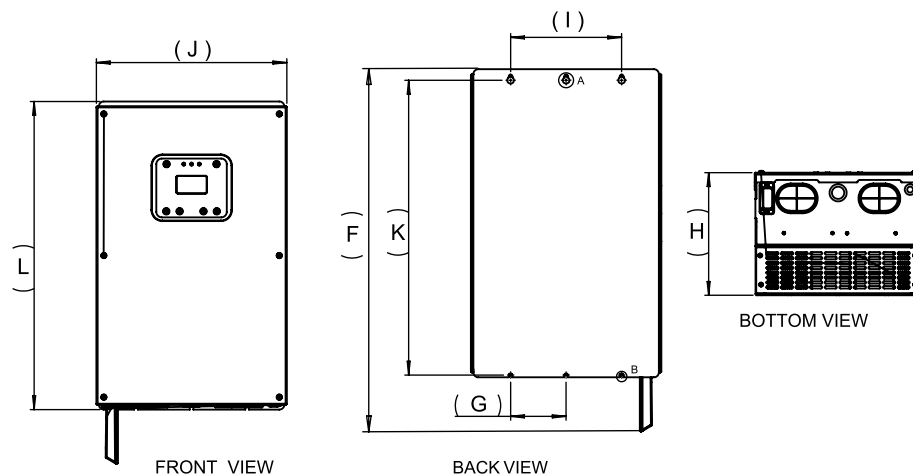
DISCHARGE (LPW) : 5.5

DUTY HEAD : 250 METER

CHOKE CODE : 9000025821



	INPUT POWER (Wp)						
	54000	43200	32400	21550	18850	15000	14000
HEAD (m)	FLOW IN LPM						
250	890	685	480	140	0		
212	1010	840	600	320	200	0	
186	1090	930	700	440	300	100	0



CONTROLLER CODE : 9600000106

SOLAR PUMPING SYSTEM



SOLAR 42 DCSSP 54000

BSP 75 mm (8X6)

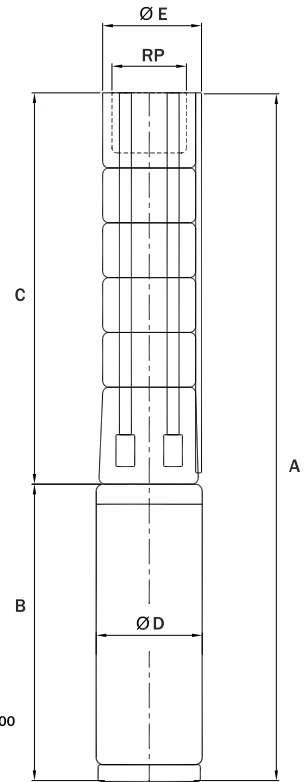
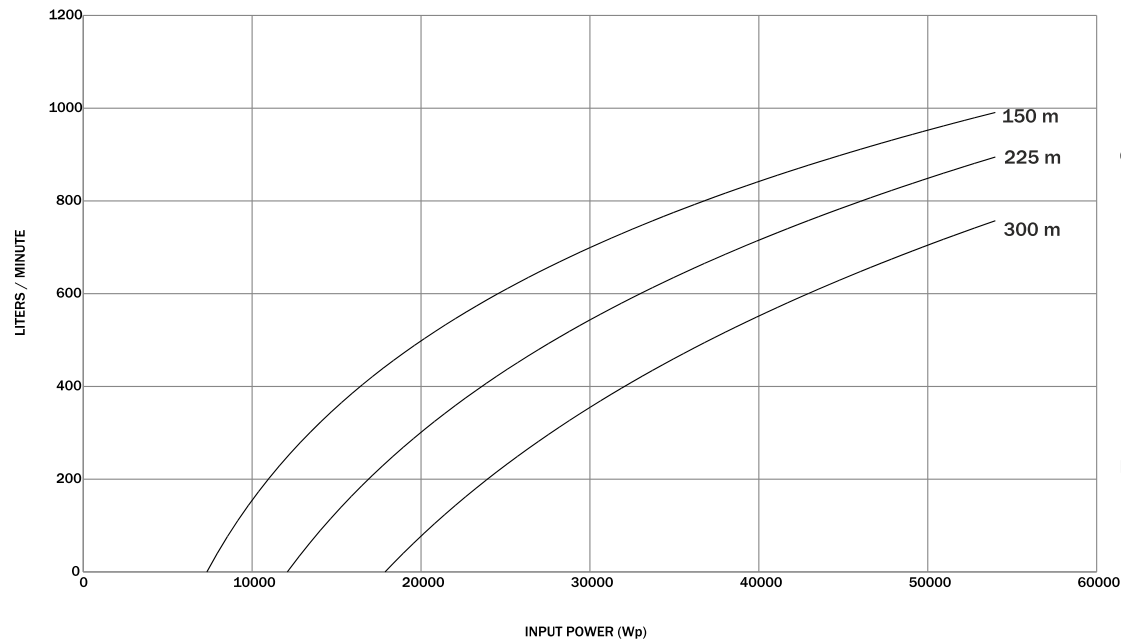
PUMPSET CODE : 9500000461

DISCHARGE (LPD) : 243000

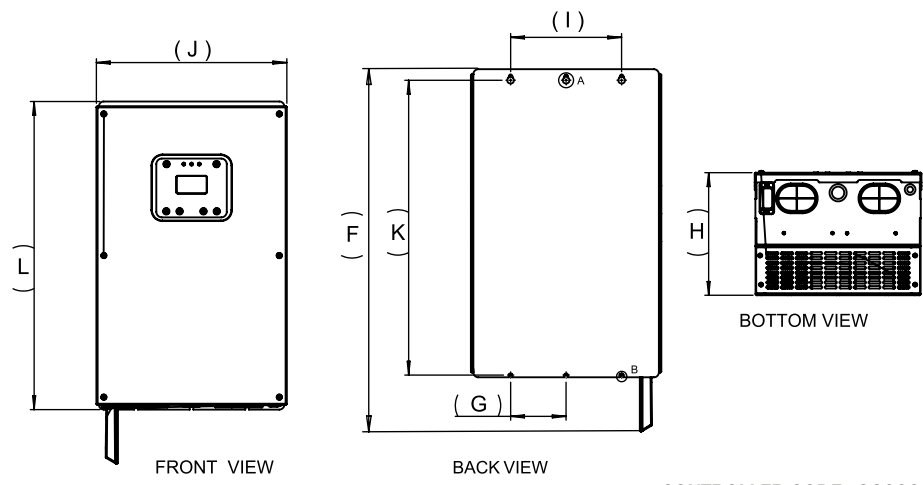
DISCHARGE (LPW) : 4.5

DUTY HEAD : 300 METER

CHOKE CODE : 9000025824



	INPUT POWER (Wp)						
	54000	44250	26800	21250	18550	12400	7200
HEAD (m)	FLOW IN LPM						
300	745	620	315	120	0		
225	860	800	500	345	250	0	
150	970	900	662	556	450	230	0

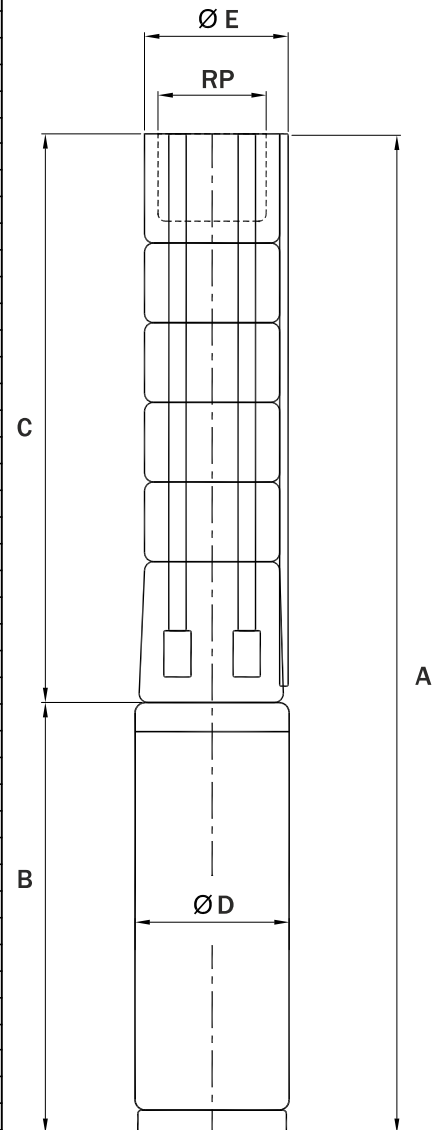


CONTROLLER CODE : 9600000106

SOLAR PUMPING SYSTEM

SOLAR DC SUBMERSIBLE GA DRAWING (In mm)

Material no.	Material Description.	A	B	C	D	E	Rp
950000828	SOLAR 16.5 DCSSP 900	693	311	382	95	128	50
9500001982	SOLAR 3.0 DCSSP 900	750	408	342	67	97	32
9500001949	SOLAR 2.0 DCSSP 900	1065	408	657	67	97	32
9500001597	SOLAR 20.5 DCSSP 1200	693	311	382	95	97	50
9500000819	SOLAR 10 DCSSP 1200	946	311	635	95	97	50
9500000939	SOLAR 8 DCSSP 1200	1096	311	785	95	97	50
9500001983	SOLAR 3 DCSSP 1200	855	408	447	67	97	32
9500000853	SOLAR 34 DCSSP 1800	699	341	358	95	138	75
9500000844	SOLAR 12 DCSSP 1800	976	341	635	95	97	50
9500000941	SOLAR 10.5 DCSSP 1800	1126	341	785	95	97	50
9500001150	SOLAR 6 DCSSP 1800	788	341	447	95	97	40
9500001984	SOLAR 2 DCSSP 1800	863	311	552	95	97	32
9500001769	SOLAR 1.5 DCSSP 1800	1103	341	762	95	97	32
9500000862	SOLAR 48 DCSSP 3000	699	341	358	95	138	75
9500000854	SOLAR 31 DCSSP 3000	783	341	442	95	128	63
9500000949	SOLAR 21 DCSSP 3000	783	341	442	95	128	63
9500000950	SOLAR 10.5 DCSSP 3000	976	341	635	95	97	50
9500000934	SOLAR 8.5 DCSSP 3000	1126	341	785	95	97	50
9500000936	SOLAR 6 DCSSP 3000	956	341	615	95	97	40
9500001986	SOLAR 2 DCSSP 3000	998	341	657	95	97	32
9500001007	SOLAR 3 DCSSP 3000	1103	341	762	95	97	32
9500000871	SOLAR 73.5 DCSSP 4800	1011	412	599	95	138	100
9500000863	SOLAR 45 DCSSP 4800	856	412	444	95	138	75
9500000855	SOLAR 35.5 DCSSP 4800	961	412	549	95	128	63
9500000955	SOLAR 19 DCSSP 4800	975	412	563	95	128	63
9500000957	SOLAR 15 DCSSP 4800	1096	412	684	95	128	50
9500000938	SOLAR 9.5 DCSSP 4800	1347	412	935	95	97	50
9500000983	SOLAR 6 DCSSP 4800	1174	412	762	95	97	40
9500000980	SOLAR 5 DCSSP 4800	1174	412	762	95	97	40
9500001768	SOLAR 4.5 DCSSP 4800	1279	412	867	95	97	40
9500001990	SOLAR 3 DCSSP 4800	1656	412	1244	95	97	32
9500000884	SOLAR 120 DCSSP 6750	1062	561	501	138	140	100
9500000628	SOLAR 66 DCSSP 6750	1106	561	545	138	138	75
9500000620	SOLAR 42.5 DCSSP 6750	1106	561	545	138	138	75
9500001423	SOLAR 26 DCSSP 6750	1261	561	700	138	130	63
9500001424	SOLAR 20 DCSSP 6750	1261	561	700	138	130	63
9500001459	SOLAR 15 DCSSP 6750	1798	561	1237	138	138	50
9500000823	SOLAR 11 DCSSP 6750	1798	561	1237	138	138	50
9500000834	SOLAR 10 DCSSP 6750	2048	561	1487	138	138	50
9500000885	SOLAR 122 DCSSP 9000	1127	507	620	138	168	100
9500000455	SOLAR 96 DCSSP 9000	1121	507	614	138	140	100
9500000873	SOLAR 52.5 DCSSP 9000	1121	507	614	138	140	100
9500001460	SOLAR 40 DCSSP 9000	1137	507	630	138	138	75
9500001510	SOLAR 23 DCSSP 9000	1388	507	881	138	130	63
9500001550	SOLAR 19 DCSSP 9000	1388	507	881	138	130	63
9500000772	SOLAR 16 DCSSP 9000	1509	507	1002	138	130	50
9500000605	SOLAR 12 DCSSP 9000	2244	507	1737	138	138	50
9500001598	SOLAR 9 DCSSP 9000	2244	507	1737	138	138	50
9500001731	SOLAR 23 DCSSP 11250	1501	615	886	138	138	65
9500001733	SOLAR 12 DCSSP 11250	2402	615	1787	138	138	50
9500000886	SOLAR 139 DCSSP 13500	1252	670	582	138	150	100
9500000880	SOLAR 86 DCSSP 13500	1403	670	733	138	140	100
9500000874	SOLAR 54 DCSSP 13500	1390	670	720	138	138	75
9500000866	SOLAR 43 DCSSP 13500	1475	670	805	138	138	75
9500000614	SOLAR 30.5 DCSSP 13500	1645	670	975	138	138	75
9500001714	SOLAR 19 DCSSP 13500	1859	670	1189	138	138	50

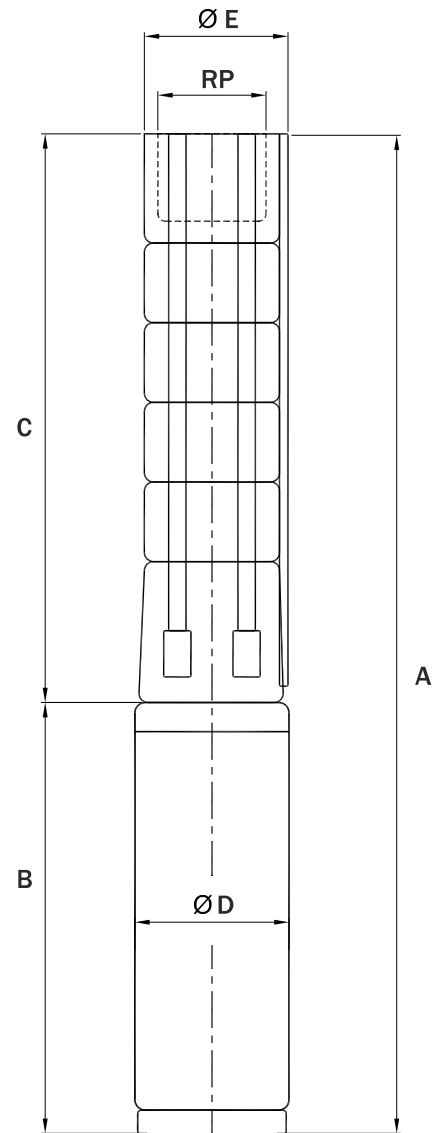


SOLAR PUMPING SYSTEM



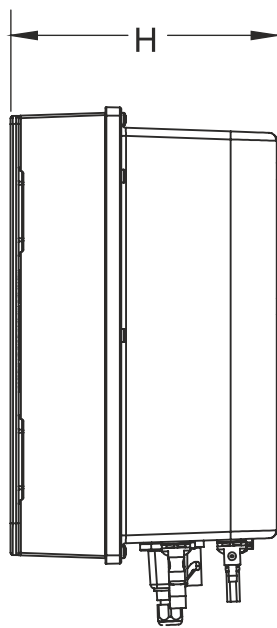
SOLAR DC SUBMERSIBLE GA DRAWING (In mm)

9500001714	SOLAR 19 DCSSP 13500	1859	670	1189	138	138	50
9500001732	SOLAR 14 DCSSP 13500	2161	670	1491	138	138	50
9500000835	SOLAR 11 DCSSP 13500	2707	670	2037	138	138	50
9500000887	SOLAR 240 DCSSP 18000	1493	775	718	138	227	150
9500000896	SOLAR 148 DCSSP 18000	1523	775	748	138	168	100
9500000661	SOLAR 129 DCSSP 18000	1523	775	748	138	168	100
9500000623	SOLAR 81 DCSSP 18000	1621	775	846	138	140	100
9500001726	SOLAR 53 DCSSP 18000	1580	775	805	138	143	75
9500001727	SOLAR 43 DCSSP 18000	1750	775	975	138	143	75
9500000607	SOLAR 36 DCSSP 18000	1750	775	975	138	138	75
9500001723	SOLAR 20 DCSSP 18000	2266	775	1491	138	138	50
9500000562	SOLAR 16 DCSSP 18000	2569	775	1794	138	138	50
9500000543	SOLAR 13 DCSSP 18000	2889	775	2114	138	138	50
9500000897	SOLAR 156 DCSSP 22500	1573	825	748	138	168	100
9500000894	SOLAR 140 DCSSP 22500	1573	825	748	138	168	125
9500000637	SOLAR 93 DCSSP 22500	1671	825	846	138	140	100
9500000881	SOLAR 72 DCSSP 22500	1784	825	959	138	140	100
9500001748	SOLAR 48 DCSSP 22500	1973	825	1148	138	138	75
9500001716	SOLAR 44 DCSSP 22500	1887	825	1062	138	138	75
9500000860	SOLAR 26 DCSSP 22500	2316	825	1491	138	138	50
9500000837	SOLAR 23 DCSSP 22500	2316	825	1491	138	138	50
9500001715	SOLAR 19 DCSSP 22500	2619	825	1794	138	138	50
9500000851	SOLAR 16 DCSSP 22500	2939	825	2114	138	138	50
9500000893	SOLAR 121 DCSSP 27000	1875	999	876	138	168	100
9500000889	SOLAR 84 DCSSP 27000	2065	999	1066	138	140	100
9500001720	SOLAR 64.5 DCSSP 27000	2291	999	1292	138	140	100
9500000877	SOLAR 60 DCSSP 27000	2147	999	1148	138	138	75
9500001717	SOLAR 43 DCSSP 27000	2147	999	1148	138	138	75
9500000777	SOLAR 26 DCSSP 27000	2490	999	1491	138	138	50
9500000861	SOLAR 23 DCSSP 27000	2793	999	1794	138	138	50
9500001721	SOLAR 20 DCSSP 27000	3113	999	2114	138	138	50
9500000670	SOLAR 139 DCSSP 36000	2227	1210	1017	194	194	100
9500000664	SOLAR 119 DCSSP 36000	2227	1210	1017	194	194	100
9500000657	SOLAR 84 DCSSP 36000	2502	1210	1292	194	194	100
9500000634	SOLAR 69 DCSSP 36000	2869	1210	1659	194	194	75
9500000458	SOLAR 57 DCSSP 36000	2869	1210	1659	194	194	75
9500001729	SOLAR 44 DCSSP 36000	2897	1210	1687	138	180	75
9500001356	SOLAR 27 DCSSP 36000	3354	1210	2144	194	194	50
9500000611	SOLAR 25 DCSSP 36000	3354	1210	2144	194	194	50
9500001494	SOLAR 150 DCSSP 45000	2355	1210	1145	194	194	100
9500000962	SOLAR 135 DCSSP 45000	2355	1210	1145	194	194	100
9500000959	SOLAR 110 DCSSP 45000	2483	1210	1273	194	194	100
9500000953	SOLAR 87 DCSSP 45000	2869	1210	1659	194	194	100
9500001722	SOLAR 70 DCSSP 45000	3208	1210	1998	138	186	75
9500000935	SOLAR 53 DCSSP 45000	3208	1210	1998	194	194	75
9500001724	SOLAR 42 DCSSP 45000	3237	1210	2027	138	180	75
9500000827	SOLAR 148 DCSSP 54000	2563	1290	1273	194	194	100
9500000836	SOLAR 126 DCSSP 54000	2563	1290	1273	194	194	100
9500000892	SOLAR 113 DCSSP 54000	2563	1290	1273	194	194	100
9500000459	SOLAR 64 DCSSP 54000	3288	1290	1998	194	194	100
9500000460	SOLAR 53 DCSSP 54000	4425	1290	3135	194	194	75
9500000461	SOLAR 42 DCSSP 54000	3668	1290	2378	194	194	75

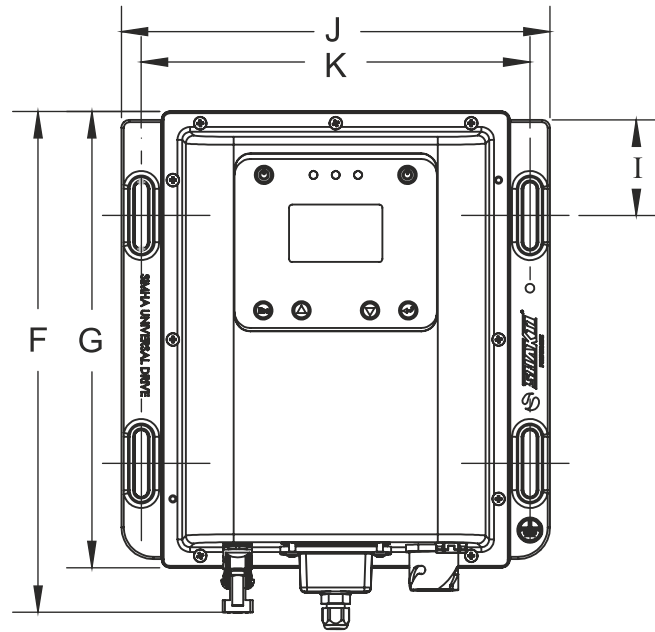


SOLAR DC CONTROLLER GA DRAWING (In mm)

CODE	DESCRIPTION	F	G	H	I	J	K
9600000096	SIMHA UNIVERSAL DRIVE 3Ø 12 A	315	286	166	60	270	244
9600000088	SIMHA UNIVERSAL DRIVE 3Ø 14A	315	286	166	60	270	244
9600000094	SIMHA UNIVERSAL DRIVE 3Ø 20A	315	286	166	60	270	244



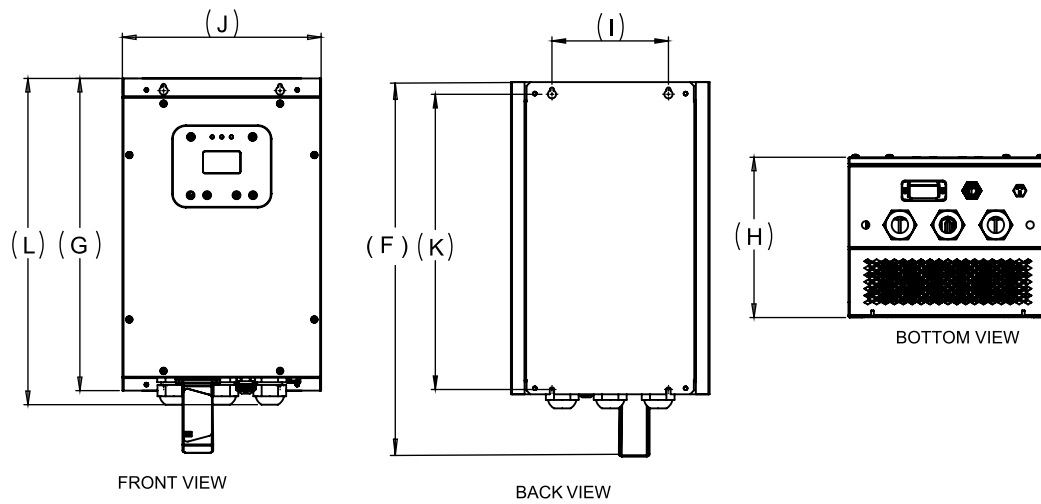
SIDE VIEW



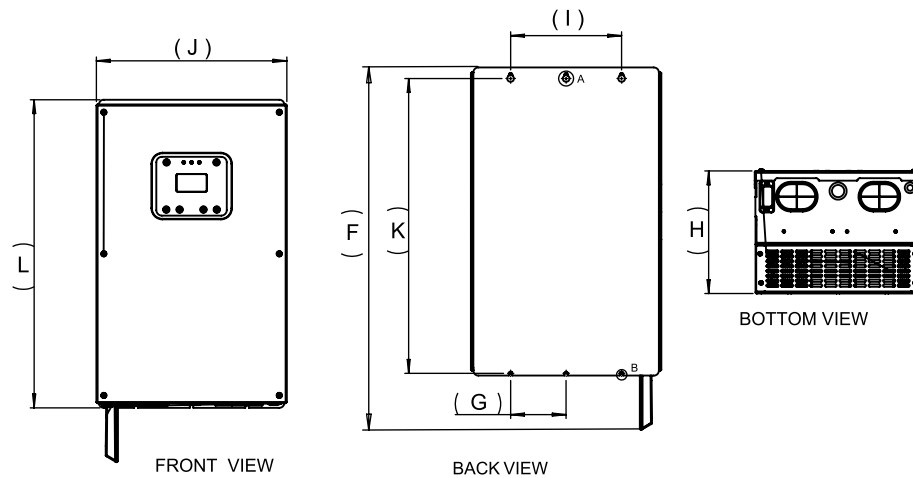
TOP VIEW

SOLAR DC CONTROLLER GA DRAWING (In mm)

CODE	DESCRIPTION	F	G	H	I	J	K	L
960000073	NANDI UNIVERSAL DRIVE 3Ø 25A	500	409	218	160	250	386	420
960000066	NANDI UNIVERSAL DRIVE 3Ø 38A	546	456	235	170	290	431	476
960000067	NANDI UNIVERSAL DRIVE 3Ø 50A	546	456	235	170	290	431	476
960000068	NANDI UNIVERSAL DRIVE 3Ø 70A	546	456	235	170	290	431	476



CODE	DESCRIPTION	F	G	H	I	J	K	L
9600000106	NANDI UNIVERSAL DRIVE 3Ø 120A	653	100	253	200	343	531	555



OUR PRESENCE



VC : 700277 SAP No. 2000017412

Dec. / 2022-23 / L7 / 0000

12 Jan 2023 R6



India : Toll Free No. 1800 103 5555

Other Countries : +91-7292 410500

SHAKTI PUMPS (INDIA) LIMITED

Plot No. 401, 402, & 413, Industrial Area, Sector - 3, Pithampur - 454774,
Dist. - Dhar, (M.P.) - INDIA, E-mail: info@shaktipumps.com, Visit us at : www.shaktipumps.com